

INSTALLATION INSTRUCTIONS FOR L2716 LAMPHOLDER USE ONLY WITH HALO L2001 POWER SUPPLY

TO INSTALL LAMPHOLDER

Hold lampholder by the mounting adapter. Insert contact head into Halo L2001 Power Supply. Twist mounting adapter approximately ¼ turn (90°) until mounting sleeve tab locks into Power Supply. (Figure 1)

NOTE Forcing mounting adapter in wrong direction may damage the contact assembly. If mounting adapter will not turn easily, twist adapter in opposite direction.

Polarity line on adapter must align with polarity line on Power Supply for proper installation. (Figure 3)

TO REMOVE LAMPHOLDER

Pull down on mounting adapter sleeve until tab is free of Power Supply opening. Twist mounting adapter ¼ turn (90°) until contact head is free and remove lampholder from Power Supply. (Figure 2)

FIGURE 1

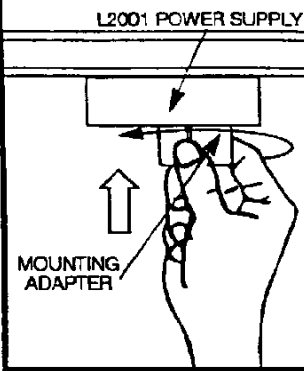
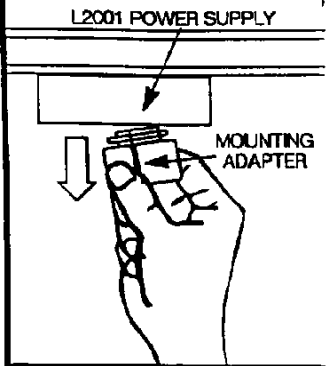


FIGURE 2



RELAMPING INSTRUCTIONS FOR L2716 LAMPHOLDER

WARNING Before working on trac fixtures be sure to turn off AC power or remove fixture from Power-Trac.

STEP 1 Allow unit to cool and then remove from L2001 Power Supply.

STEP 2 Remove lamp from Gimbal Ring. (Figure 4)

STEP 3 Unplug lamp by pulling straight out. DO NOT TWIST. Refer to Relamp label on fixture for proper lamp. (DO NOT TOUCH the MR16 bulb inside the lamp reflector.)

STEP 4 Place lamp back in Gimbal Ring.

CAUTION Do not operate L2716 without lens in place.

LOW VOLTAGE CAUTIONS

Dimming
Dimming quartz halogen lamps (MR16) may reduce lamp life.

Low voltage lampholders with solid-state or magnetic transformers require proper dimming equipment. An improper dimmer may cause damage to the transformer and shorten lamp life. Consult factory for dimmer recommendations.

Some sound may be emitted by the transformer and/or the dimmer in the dimmed mode.

Installation
Solid-state low voltage lampholders should not be installed in such a manner as to entrap excessive ambient heat around the fixture (such as enclosed display windows, showcases, alcoves, recessed coves, etc.).

Lamps
Some 12V MR16 lamps are not compatible with Halo Power-Trac lampholders.

Consult your local Halo representative for further information on dimming, installation or lamp compatibility.

FIGURE 3

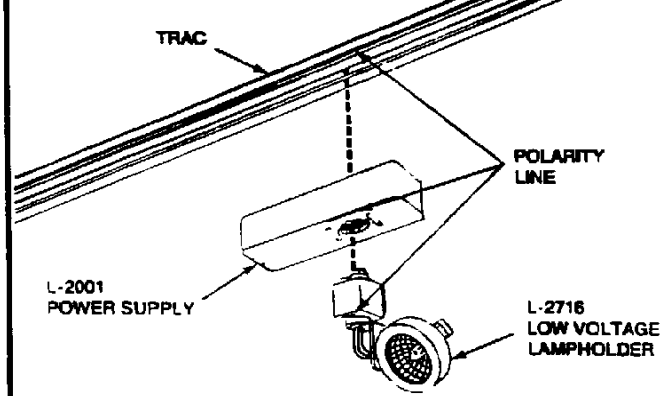


FIGURE 4

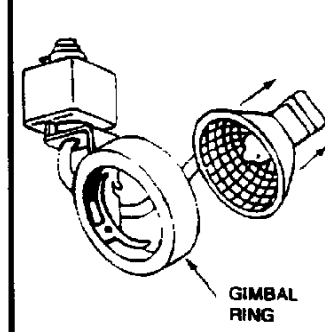


FIGURE 5

