

Project		Catalog #		Type	
Prepared by		Notes		Date	



Sure-Lites

ES Series

Polycarbonate Exit AC Only Self Powered
Emergency LED Lamps Exit Lighting

Typical Applications

Office • Education • Healthcare • Hospitality
• Retail • Industrial • Manufacturing

Product Certification



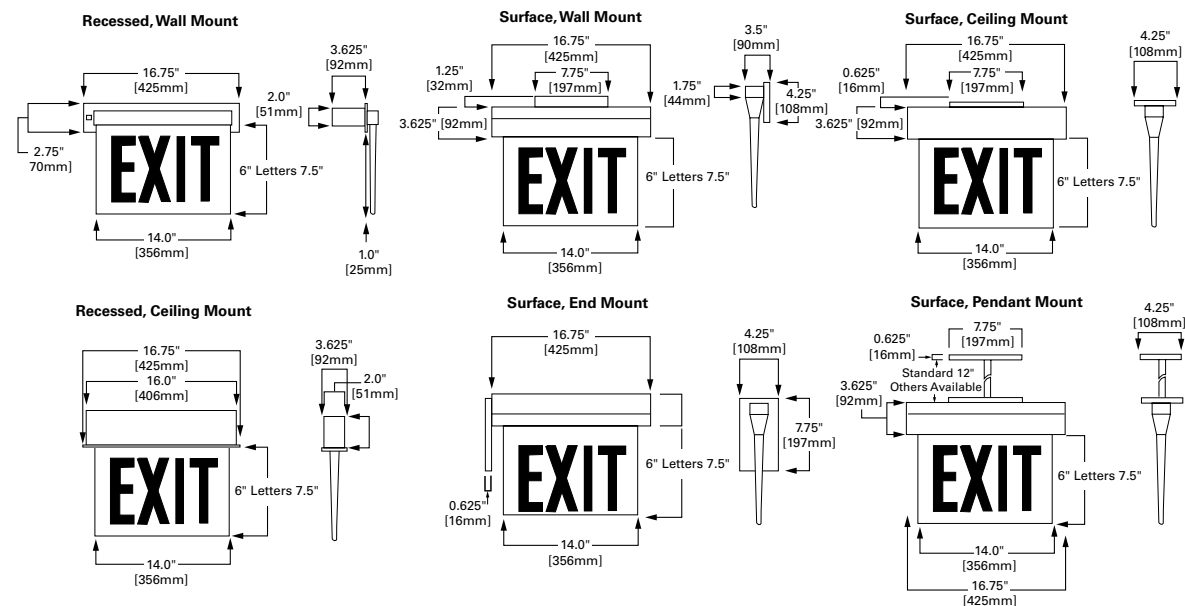
Interactive Menu

- Order Information [page 2](#)
- Product Warranty

Top Product Features

- Dual voltage input, 120/277 VAC 60Hz
- Steel housing with aluminum trim (recessed); all aluminum (surface)
- Injection-molded, high-impact acrylic panel
- Clear, mirror, or white background
- Super bright, long-life LED lampings provide uniform illumination
- Sealed nickel cadmium, maintenance-free, long-life battery

Dimensional and Mounting Details



Ordering Information

SAMPLE ORDER NUMBER: **ES61SRC**

Complete Fixture

Domestic Preferences	ES	Face Options	Battery	Mounting	Trim Finish
Domestic Preferences	ES (complete fixture)	Face Options	Battery	Mounting	Trim Finish
Blank =Standard BAA =Buy American Act	ES6 =AC Only ES7 =Self Powered	1 =Single Face 2 =Double Face	[Blank] =AC Only 70 =Nickel Cadmium	S =Surface Unit [Blank] =Recessed Only	[Blank] =Brushed Aluminum WH =White BL =Black BZ =Bronze PA =Polished Aluminum

Letters/Background	Chevron Direction	Mounting Options
Letters/Background	Chevron Direction	Mounting Options
R =Red/Clear (Single Face Only) G =Green/Clear RM =Red/Mirror GM =Green/Mirror RW =Red/White	[Blank] =No Chevron AR =Right Chevron AL =Left Chevron DA =Double Chevron ARL =Chevrons Right/Left (Double Face Only)	C =Ceiling W =Wall E =End P =Pendant

ES Recessed (fixture in two parts)

Domestic Preferences	Recessed Housing	Face Options
Domestic Preferences	Recessed Housing	Face Options (Self Powered Options Only)
Blank =Standard BAA =Buy American Act	ESH6 =Recessed, AC Only ESH7 =Recessed, Self Powered	1 =Single Face 2 =Double Face

Recessed Trim	Face Options	Trim Finish	Letters/Background
Recessed Trim	Face Options	Trim Finish	Letters/Background
EST6 =Trim and Panel, AC Only EST7 =Trim and Panel, Self Powered	1 =Single Face 2 =Double Face	[Blank] =Brushed Aluminum WH =White BL =Black BZ =Bronze PA =Polished Aluminum	R =Red/Clear (Single Face Only) G =Green/Clear RM =Red/Mirror GM =Green/Mirror RW =Red/White

Chevron Direction	Mounting Options
Chevron Direction	Mounting Options
[Blank] =No Chevron AR =Right Chevron AL =Left Chevron DA =Double Chevron ARL =Chevrons Right/Left (Double Face Only)	C =Ceiling W =Wall

Product Specifications

Electronic

- Dual voltage input 120/277 VAC, 60Hz
- Long-life energy efficient LED lamps
- Solid-state Voltage Charger
- Solid-state Switching
- Brownout Circuit
- Test Switch/Power Indicator Light

Battery

- Sealed nickel cadmium
- Maintenance free, long life
- Full recharge time, 24 hrs (max.)

Housing Construction

- 18-gauge steel housing with conduit knockouts
- Recessed housing available for ceiling or wall mounting
- Adjustable hanger bars
- Connectors facilitate quick installation and maintenance

- Convenient 1/2" knockouts provided in top and end of surface mounted housing

Trim/Housing Plate

- Injection molded high-impact acrylic panel
- NFPA 101 compliant chevron directional indicators (when specified)
- Extruded trim plate in Brushed or Polished Aluminum, Polished Brass, White, Black and Bronze
- Red and Deep Green letter colors
- 6" Letters
- Clear, mirror, or white background
- Torsion springs secure trim plate to housing – no visible mounting hardware

Code Compliance

- UL 924 Listed
- Life Safety NFPA 101
- NEC/OSHA
- Most State and Local Codes

Lamp Data

- LED, Red: Super-bright, long-life LEDs provide uniform illumination

Limited Warranty

- Exit: 5-year limited warranty
- Battery: 7-year pro-rata (self-powered only)

Energy and Performance Data

Maximum power consumption under all charge conditions:

LED Exits – Red Letters, AC Only

Input Power	Input Current (Max.):	Power Factor:
120V = 3.8W	120V = .03	120V = .93
277V = 3.9W	277V = .02	277V = .93

LED Exits, Green Letters, AC Only

Input Power	Input Current (Max.):	Power Factor:
120V = 1.4W	120V = .02	120V = .67
277V = 1.5W	277V = .01	277V = .66

LED Exits – Red Letters, Self-Powered

Input Power	Input Current (Max.):	Power Factor:
120V = 4.6W	120V = .04	120V = .90
277V = 4.8W	277V = .02	277V = .89

LED Exits, Green Letters, Self-Powered

Input Power	Input Current (Max.):	Power Factor:
120V = 1.9W	120V = .03	120V = .63
277V = 2.0W	277V = .01	277V = .61

Technical Data

Lamp

Optimized for energy efficiency and aesthetic appearance, the ES Series Exit uses superbright long-life LED lamps to illuminate the exit lens.

Power Housing (Self-Powered Only)

Dual voltage 120/277 VAC power housing is contained in the rough-in section. It will automatically illuminate the sign face for 90 minutes during a power interruption. Power housing is equipped with maintenance-free sealed nickel cadmium batteries.

Electrical

The electronics with quick connect connectors and simple wiring combine to make installation of the ES Series Exit fast and easy. Self-Powered and AC versions are standard 120/277 VAC. If necessary, ES Series housings and trim assemblies can be shipped separately for rough-in situations.

Housing Construction

The rugged 18-gauge, die formed steel housing has conduit knockouts for easy AC wiring connections. Fully adjustable, captive bar hangers make installation easy.

Trim

The high-impact, clear acrylic lens panel with precision molded lettering and NFPA 101 compliant directional chevrons makes the face panel of this exit sign clearly superior. A choice of red or deep green letters in

clear, mirror, or white background inserts (deep green available in clear or mirror only) enables precise control of the fixture's aesthetic appearance. The rugged extruded trim plate is attached to the housing back box with torsion springs to insure a tight fit against any wall or ceiling surface. The standard brushed aluminum finish blends with most any decor. Other finishes are available.

Solid-State Charger (Self-Powered Only)

Supplied with a 120/277 VAC, voltage regulated solid-state charger. Immediately upon restoration of AC current after a power failure, the charger provides a high charge rate. Solidstate circuitry recharges the battery following a power failure in accordance with UL 924.

Brownout Circuit (Self-Powered Only)

The brownout circuit on Sure-Lites' exits monitors the flow of AC current to the exit and activates the emergency lighting system when a predetermined reduction of AC power occurs. This dip in voltage will cause most ballasted fixtures to extinguish causing loss of normal lighting even though a total power failure has not occurred.

Solid-State Transfer (Self-Powered Only)

The ES Series Exit incorporates solid-state switching which eliminates corroded and pitted contacts or mechanical failures associated with relays. The

switching circuit is designed to detect a loss of AC voltage and automatically energizes the LED lamps. Upon restoration of AC power, the emergency circuit will switch off and the charger will automatically recharge the battery.

Test Switch/Power Indicator Light (Self-Powered Only)

Conveniently located combination Test Switch/Power Indicator Light allows for manual verification of proper operation of the transfer circuit and emergency lamps.

Sealed Nickel Cadmium Battery (Self-Powered Only)

Sure-Lites sealed nickel cadmium batteries are maintenance-free with a life expectancy of 10 years. The sealed rechargeable nickel cadmium battery offers high discharge rates and stable performance over a wide range of temperatures.

Limited Warranty

All Sure-Lites' products are backed by a firm five-year limited warranty against defects in material and workmanship. Maintenance-free, long-life, sealed nickel cadmium batteries carry a 7 year pro-rata warranty.