

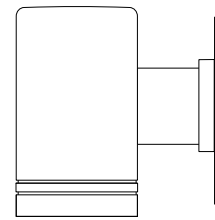


by Signify

Wall Mount

Cylinders

300EM/300EMR Emergency



Gardco 300EM/300EMR wall cylinders are high performance luminaires with emergency function, utilizing a 42W compact fluorescent lamp. Housings are die cast aluminum with twin architectural reveals located near the luminaire apertures. A choice of two (2) models, each with two (2) light control styles is available in a wall mounted configuration. Luminaires are finished with a fade and abrasion resistant polyester powder coat offered in five standard colors. 300EM and 300EMR luminaires in the normal downlight position provide full cutoff performance.

Project: _____

Location: _____

Cat.No: _____

Type: _____

Lamps: _____ Qty: _____

Notes: _____

Ordering Guide

example: 300EMDWL32TRF120BRPPCB

Prefix	Model		Mounting		Trims	Lamp	Voltage	Finish	Options
	D		W						
300EM Emergency cylinder	D	Enclosed downlight	W	Wall Mount	L Obscuring lens LL Egg crate louvers and obscuring lens	32TRF 42TRF	120 277	BRP Bronze Paint BLP Black Paint WP White Paint NP Natural Aluminum Paint BGP Beige Paint VP Verde Green Paint OC Optional Color Paint <i>Specify RAL designation ex: OC-RAL7024.</i> SC Special Color Paint <i>Specify. Must supply color chip.</i>	PCB Button Type Photocontrol WS Wall Mounted J-Box for Surface Conduit EMR Luminaires Only: B84CG Bodine Emergency Battery Pack Note: Emergency Battery Packs for EMR types must be ordered with luminaires and supplied by Gardco
300EMR Remote emergency cylinder									

Enter the order code into the appropriate box above. Note: Gardco reserves the right to refuse a configuration. Not all combinations and configurations are valid. Refer to notes below for exclusions and limitations. For questions or concerns, please consult the factory.

300EM/300EMR Emergency cylinder

Specifications

Housing

Housings are die cast aluminum in a single-piece cylindrical form of corrosion resistant alloy, 1/8" min. wall thickness. Units are 7.5" in diameter and 12" in height, nominal measurements.

Mounting

Wall Bracket (W): Cast aluminum canopy with integrated aluminum arm secured to housing with (2) 5/16" bolts. Requires mounting to a structural member of the building.

Optical Systems:

Lens (L): Obscuring glass lens is mounted to a die cast aluminum trim assembly.

Louvers (LL): Lens with louver units consist of an obscuring glass lens mounted to a die cast aluminum trim assembly, including 1 5/8" x 1 5/8" square louvers with a nominal depth of 1".

Electrical

Standard fluorescent units have a starting temperature of 0°F/-18°C. Standard fluorescent ballasts are high power factor electronic solid state. Fluorescent sockets are high temperature (PBT) with brass contacts.

EM Luminaires: In the event of power interruption, integral battery pack will power (1) 42W or (1) 32W compact fluorescent lamp at reduced light levels for a minimum of 90 minutes. Maintenance free battery is rated for ambient temperatures down to 32°F/0°C (EM). Indicator light is visible through the lens. A test switch is accessible through the door assembly. EM units do not bear CUL label.

EMR Luminaires: A 7.5'/2.29m, 12 wire, quick disconnect assembly is provided for wiring through conduit (by others) to a Bodine B84CG fluorescent emergency battery pack (or equivalent). The fluorescent emergency battery pack MUST be supplied by Gardco. The B84CG option is required to be on the order to the factory. In the event of power interruption, the remote battery pack (B84CG, or equivalent) will power (1) 42W or (1) 32W compact fluorescent lamp at reduced light levels; for a minimum of 90 minutes.

Maintenance free battery is rated for ambient temperatures down to 32°F/0°C. Minimum luminaire starting temperature is 0°F/-18°C. Indicator light is visible through the lens. A test switch is accessible through the door assembly. NOTE: B84CG does not bear CUL label.

Finish

Each luminaire receives a fade and abrasion resistant electrostatically applied, thermally cured, (TGIC) polyester powder coat finish. Standard finishes are textured.

Labels

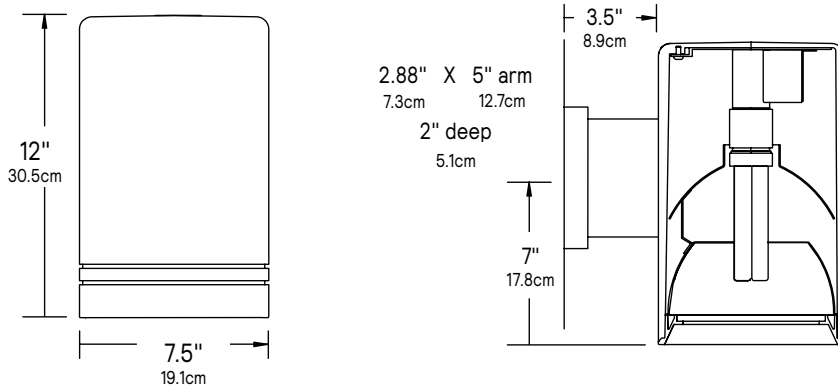
All luminaires bear UL or CUL (where applicable) Wet Location labels.

Warranty

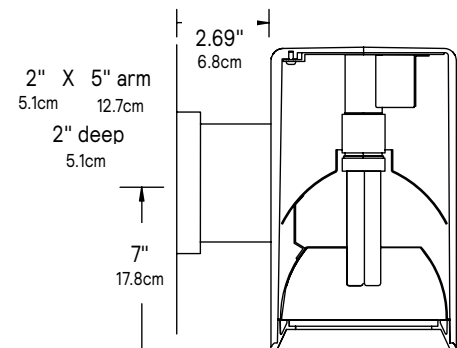
Gardco luminaires feature a 5 year limited warranty. See Warranty Information on www.signify.com/warranties for complete details and exclusions. Polycarbonate lenses carry a 1 year warranty only.

Dimensions

EM - Emergency Cylinder



EMR - Remote Emergency Cylinder



The information presented in this document is not intended as any commercial offer and does not form part of any quotation or contract.

