

Project		Catalog #		Type	
Prepared by		Notes		Date	



# HALO

## H750RICATD010

6" LED ICAT Remodel Housing  
with 0-10V dimming compatibility

### Typical Applications

- For use in insulated ceilings
- For direct contact with insulation

### Interactive Menu

- Order Information page 2
- Product Warranty

### Product Certification



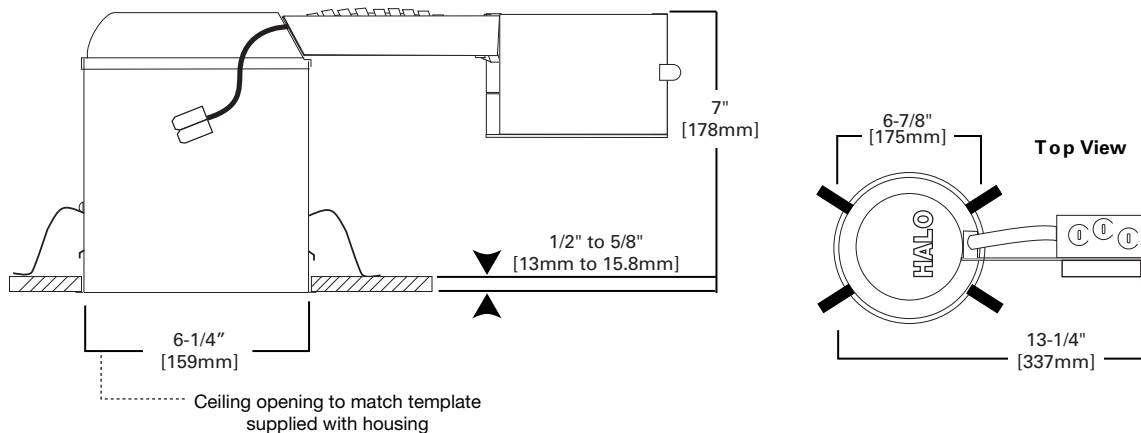
### Product Features



### Top Product Features

- For use with ML56 0-10V series
- 120-277V Input
- 0-10V dimming compatibility
- IC rated and air-tite per ASTM E283

### Dimensional and Mounting Details



## Order Information

SAMPLE ORDER NUMBER: : H750RICATD010 – ML5612930D010, 692W

A complete luminaire consists of a housing, LED integrated trim or LED module and trim; order separately.

Housing	ML56 Light Modules	ML56 Trims
<p><b>H750RICATD010</b> = 6" LED, IC rated, air-tite, remodel housing, 0-10V compatibility</p>	<p><b>ML5612927D010</b> = 5 7/8" LED module, 1200 lumen, 90CRI, 2700K, 0-10V dimming  <b>ML5612930D010</b> = 5 7/8" LED module, 1200 lumen, 90CRI, 3000K, 0-10V dimming  <b>ML5612935D010</b> = 5 7/8" LED module, 1200 lumen, 90CRI, 3500K, 0-10V dimming  <b>ML5612940D010</b> = 5 7/8" LED module, 1200 lumen, 90CRI, 4000K, 0-10V dimming</p>	<p><b>590 Series - 5" LED Trims</b>  <b>592SC</b>=5" LED trim, specular reflector &amp; white flange  <b>592H</b>=5" LED trim, haze reflector &amp; white flange  <b>592W</b>=5" LED trim, white reflector &amp; flange  <b>593WB</b>=5" LED trim, white micro-step baffle &amp; flange  <b>593BB</b>=5" LED trim, black micro-step baffle &amp; white flange  <b>594WB</b>=5" LED directional trim, white eyeball, baffle &amp; flange – shallow and standard housings  <b>595WW</b>=5" LED trim, wall wash - specular reflector, repositionable specular kick reflector, white flange  <b>596WB</b>=5" LED trim, white shallow baffle &amp; flange – shallow and standard housings</p> <p><b>690 Series - 6" LED Trims</b>  <b>692SC</b>=6" LED trim, specular reflector &amp; white flange  <b>692H</b>=6" LED trim, haze reflector &amp; white flange  <b>692W</b>=6" LED trim, white reflector &amp; flange  <b>693WB</b>=6" LED trim, white micro-step baffle &amp; flange  <b>693BB</b>=6" LED trim, black micro-step baffle &amp; white flange  <b>693TBZB</b>=6" LED trim, tuscan bronze micro-step baffle &amp; flange  <b>693SNB</b>=6" LED trim, satin nickel micro-step baffle &amp; satin nickel flange  <b>694WB</b>=6" LED directional trim, white eyeball, baffle &amp; flange – shallow and standard housings  <b>694TBZB</b>=6" LED directional trim, tuscan bronze eyeball, baffle &amp; flange – shallow and standard housings  <b>694SNB</b>=6" LED directional trim, satin nickel eyeball, baffle &amp; flange – shallow and standard housings  <b>695WW</b>=6" LED trim, wall wash - specular reflector, repositionable specular kick reflector, white flange  <b>696WB</b>=6" LED trim, white shallow baffle &amp; flange – for use with shallow and standard housings</p>

## Product Specifications

### Housing

- Single wall aluminum housing
- Openings are gasketed for AIRTITE™ installation
- Can be used in 2"x 8" joist construction (with 1/2" or 5/8" ceiling material)

### Slide-N-Side™ Junction Box

- Seven 1/2" trade size conduit knockouts with true pry-out slots
- Slide-N-Side™ wire traps allow non-metallic sheathed cable to be installed without tools and without removing knockouts
- Accepts a wider range of nonmetallic sheathed cable - the standard cable types used in lighting for both US and Canada
- Allows wiring connections to be made outside the box
- Simply insert the cable directly into the trap after connections are made
- Accommodates the following standard non-metallic sheathed cable types. (US) #14/2, #14/3, #12/2, #12/3 (Canada) #14/2, #14/3, #12/2

### Remodel Springs

- Four remodel clips secure housing and accommodate 1/2" and 5/8" ceiling material

### LED Module Connection

- Halo LED modules simply install with a plug-in 120-277V rated line voltage wiring connector (UL and CSA Listed Luminaire Disconnect).
- This non-screwbase connection preserves the high efficacy rating and prevents use of low efficacy incandescent sources

**CAUTION:** Connection is rated for 120-277V input. Installer must verify LED module voltage is compatible with the applicable voltage input. If uncertain, consult a qualified electrician

### Code Compliance

- UL/cUL Listed 1598 Luminaire
- CE Marking - "Conformité Européenne" conformity with the Council of European Communities Directives, meeting internationally recognized compliance when used with ML56 Series LED modules
- Listed for Feed Through
- Listed for direct contact with insulation and combustible material
- Listed for Damp Location
- Listed for Wet Location with select trims
- Rated for 20W maximum

### Qualification

- May be used with qualified Halo LED modules and designated trims for High Efficacy Luminaire Compliance:
- State of California Title 24
- International Energy Conservation Code (IECC)
- Washington State Energy Code
- New York State Energy Conservation Construction Code - AIR-TITE™ Compliant
- Certified under ASTM-E283 standard for air-tight construction

### Warranty

- Five year limited warranty, consult website for details [www.cooperlighting.com](http://www.cooperlighting.com).