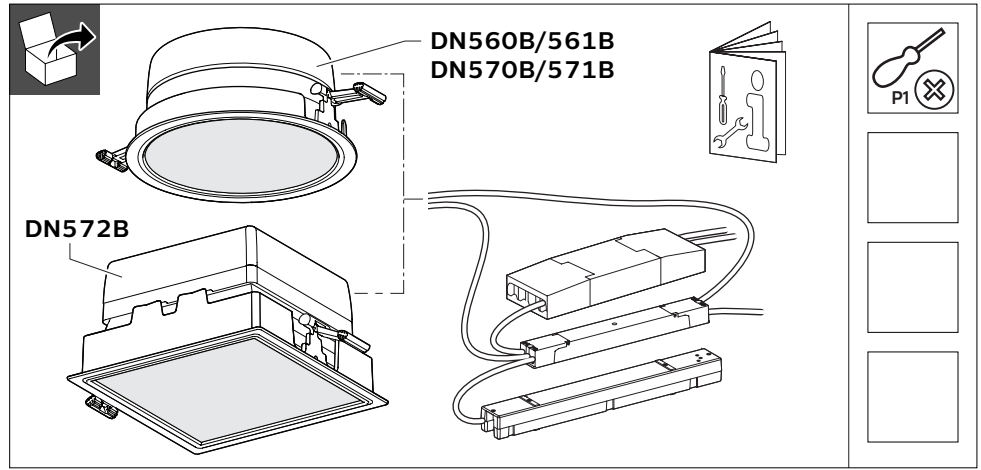
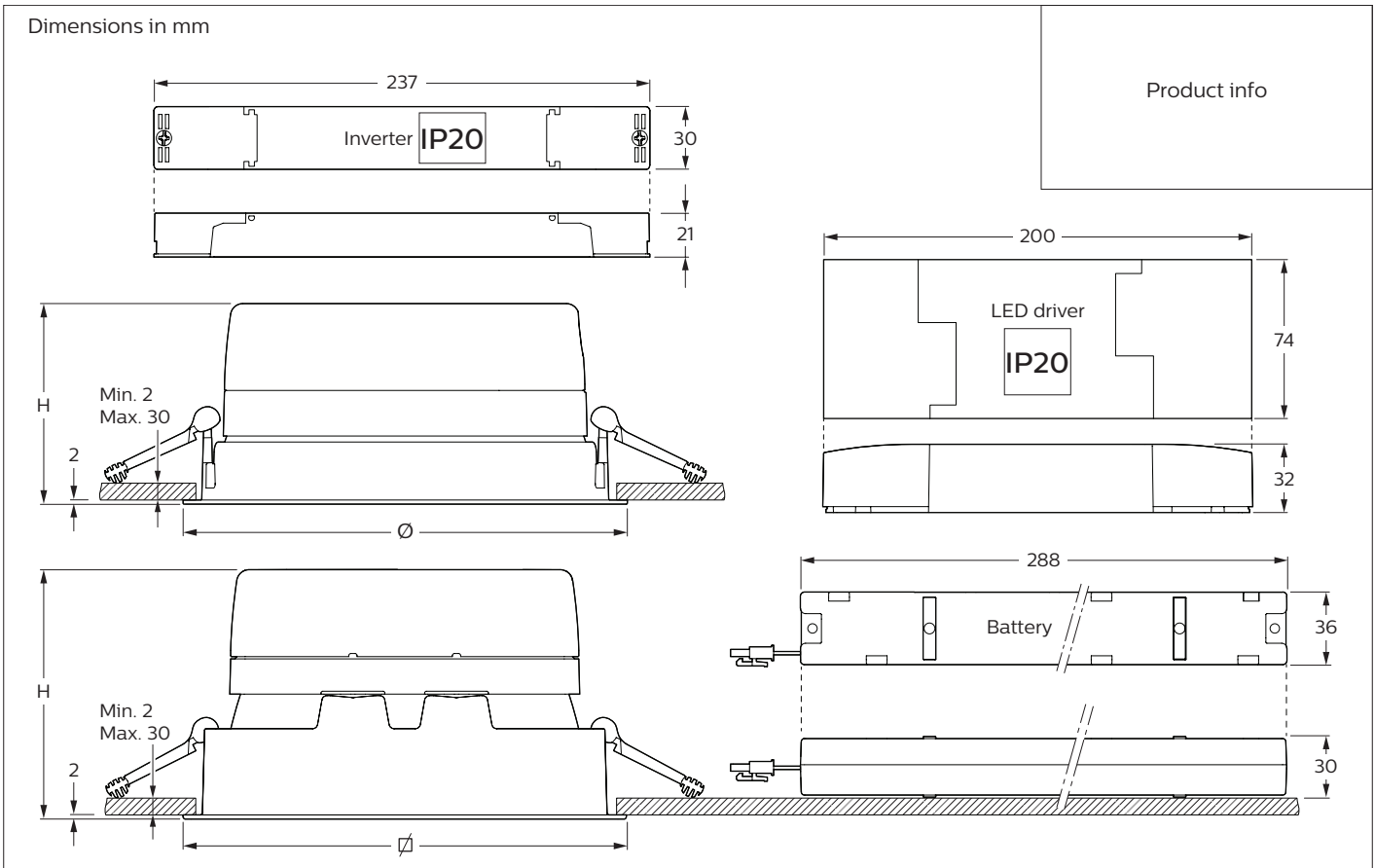


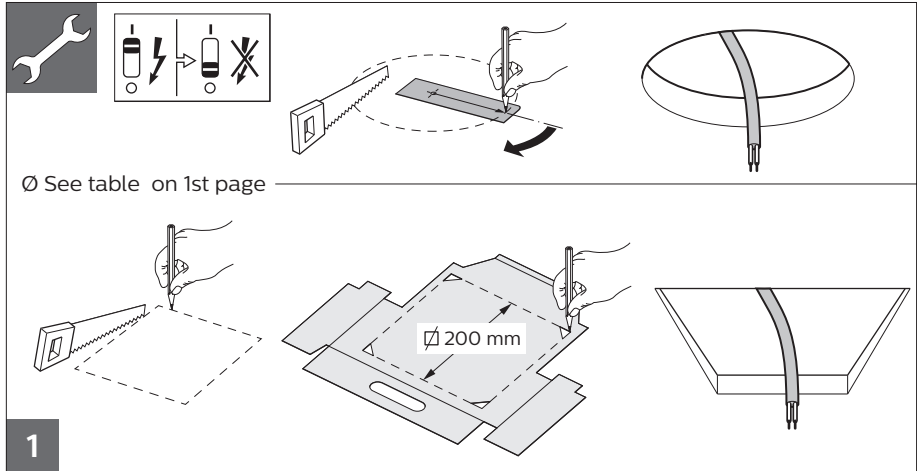
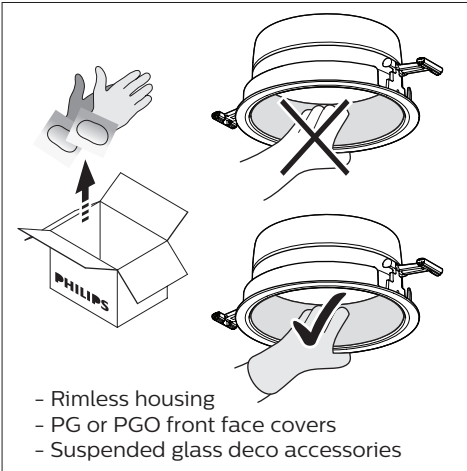
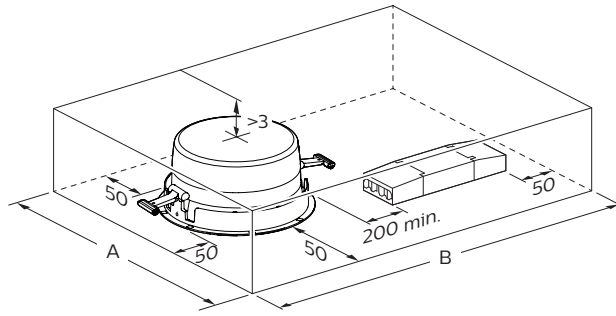
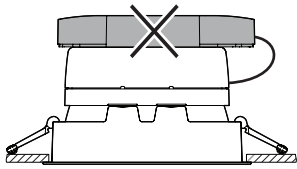
PHILIPS

Luxspace downlight
Emergency

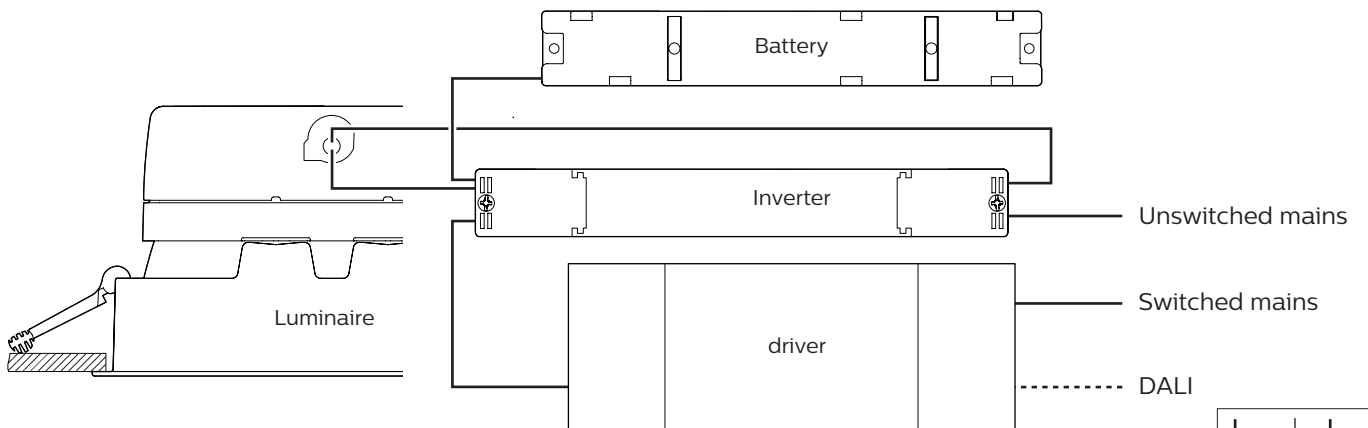


		Dimensions in mm							
	CCT (K)	H	A	B	Ø, Ø mm	Ø mm			kg
DN560B	LED8S-12S-20S 830/840/927/930/940	72	250	550	Ø 164	Ø 150			1.2
DN561B		86							
DN570B	LED12S-20S-24S 830/840/927/930/940	96.5	300	700	Ø 214	Ø 200			1.67
	LED40S	161.5							1.97
	LED60S	119							1.67
DN571B	LED40S	184							1.97
	LED60S	119							1.67
DN572B	LED12S-20S-24S 830/840/927/930/940				Ø 214	Ø 200			1.67





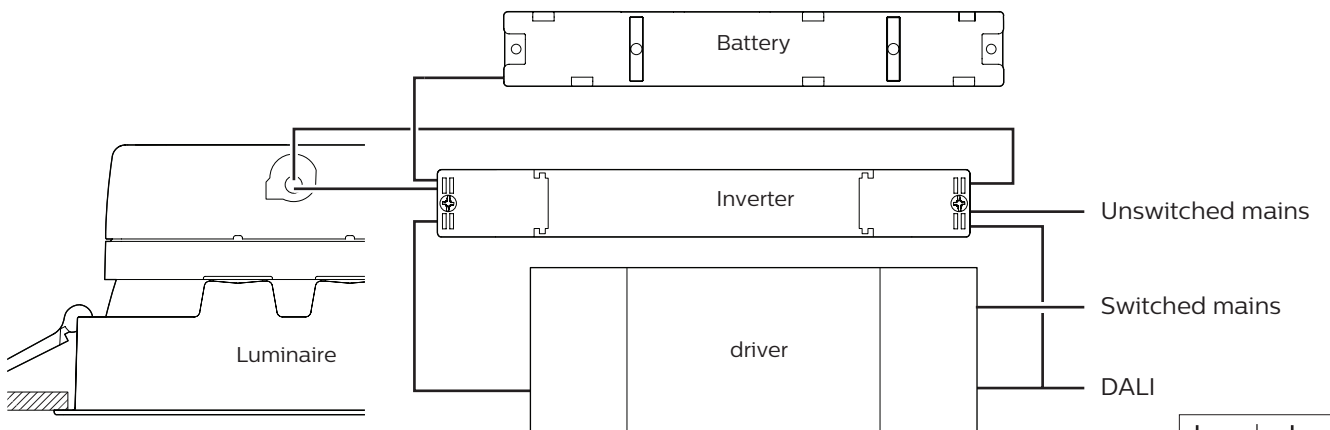
Trustsight pro ELP3



2

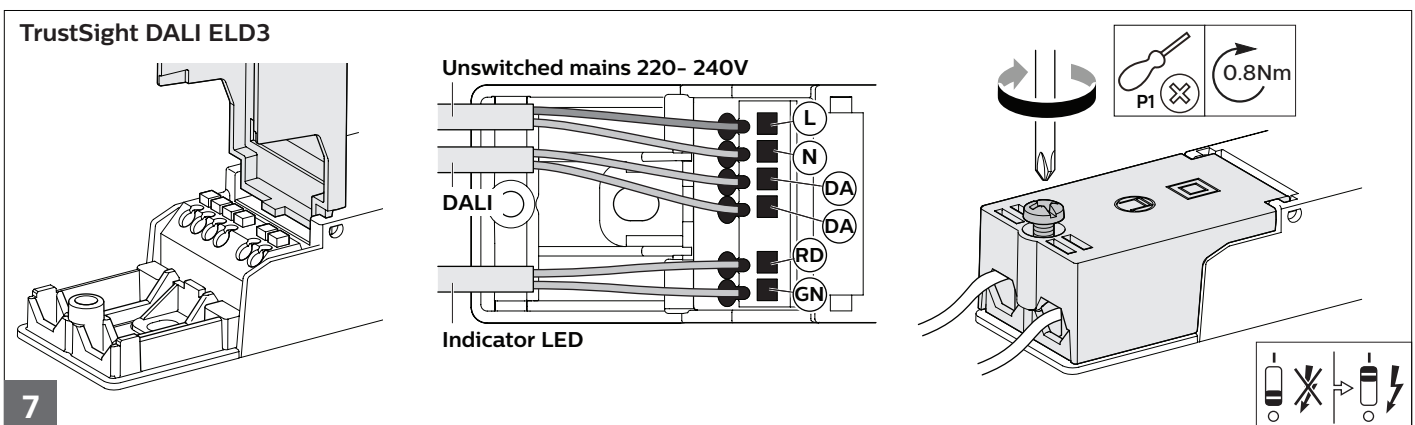
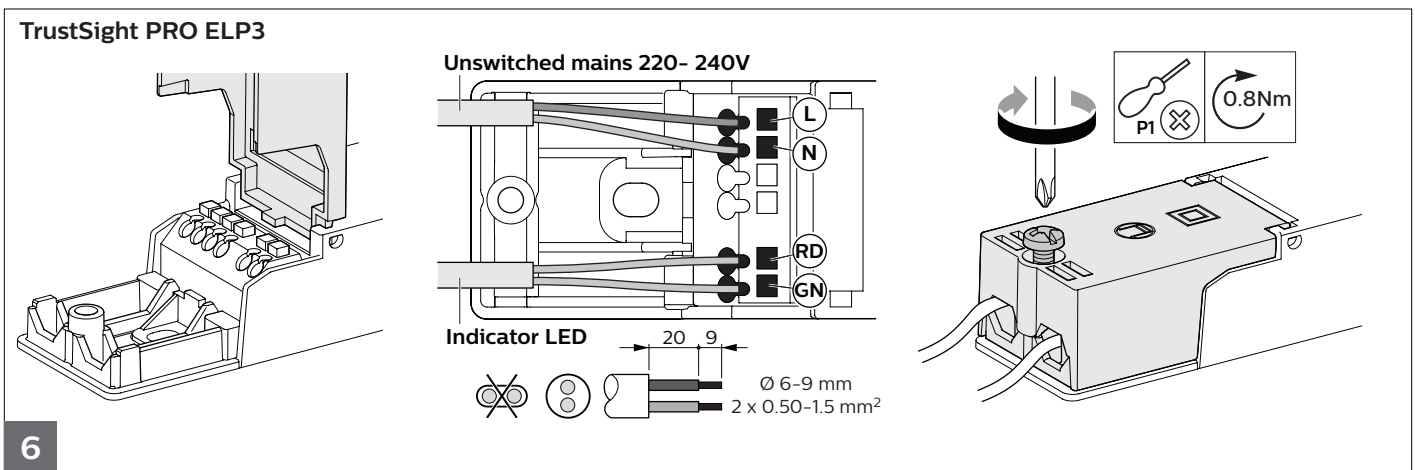
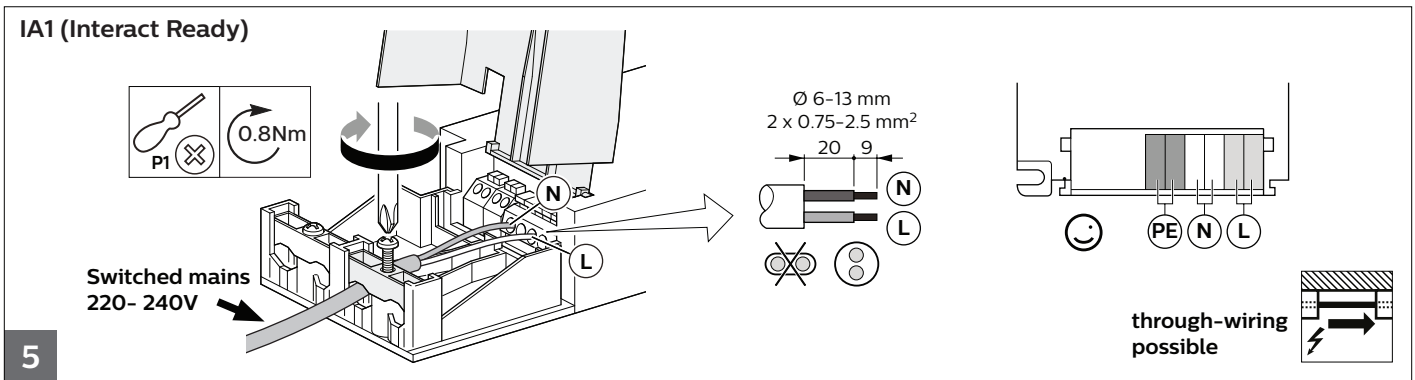
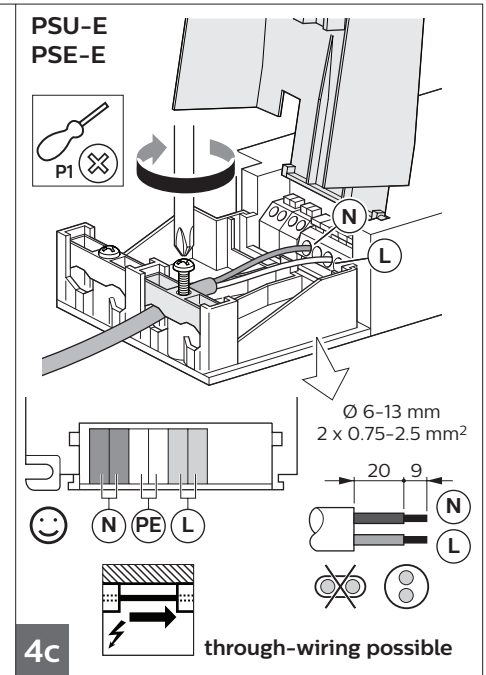
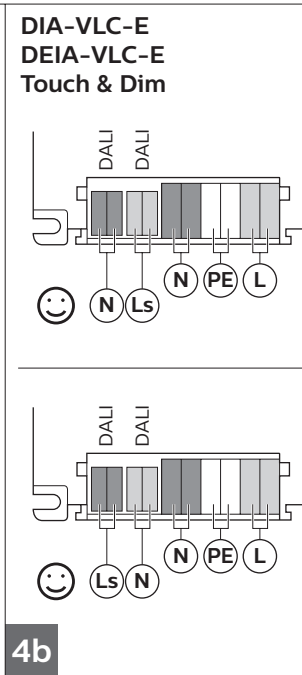
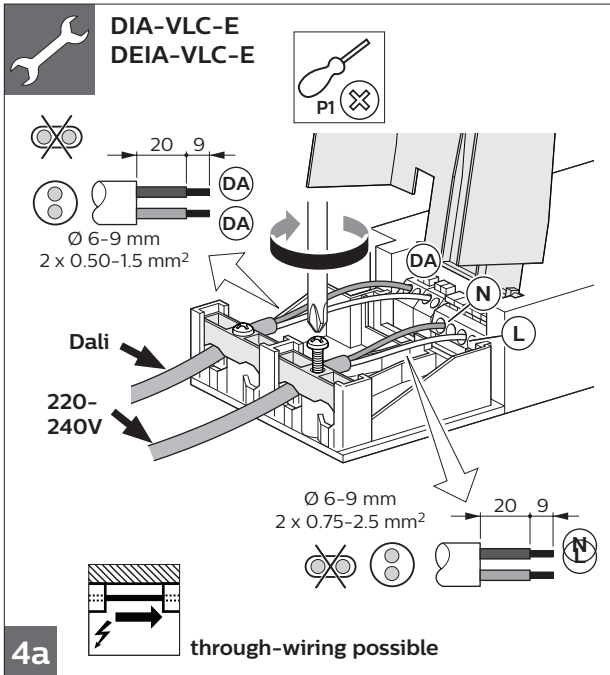


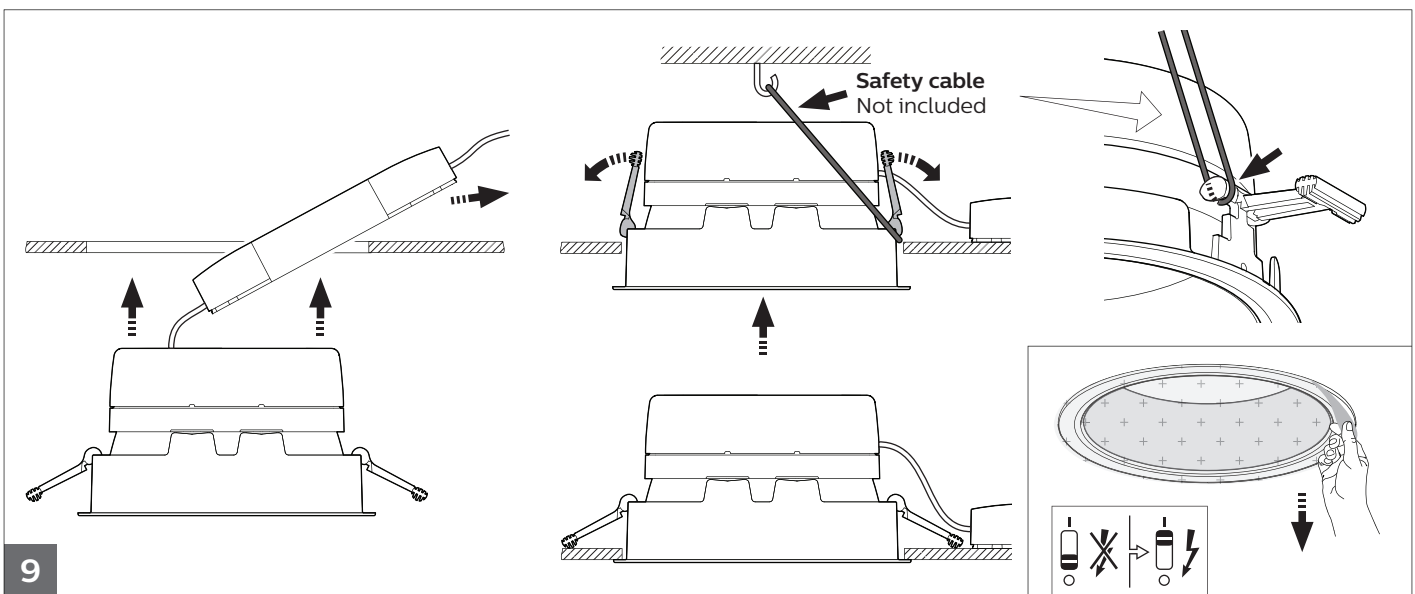
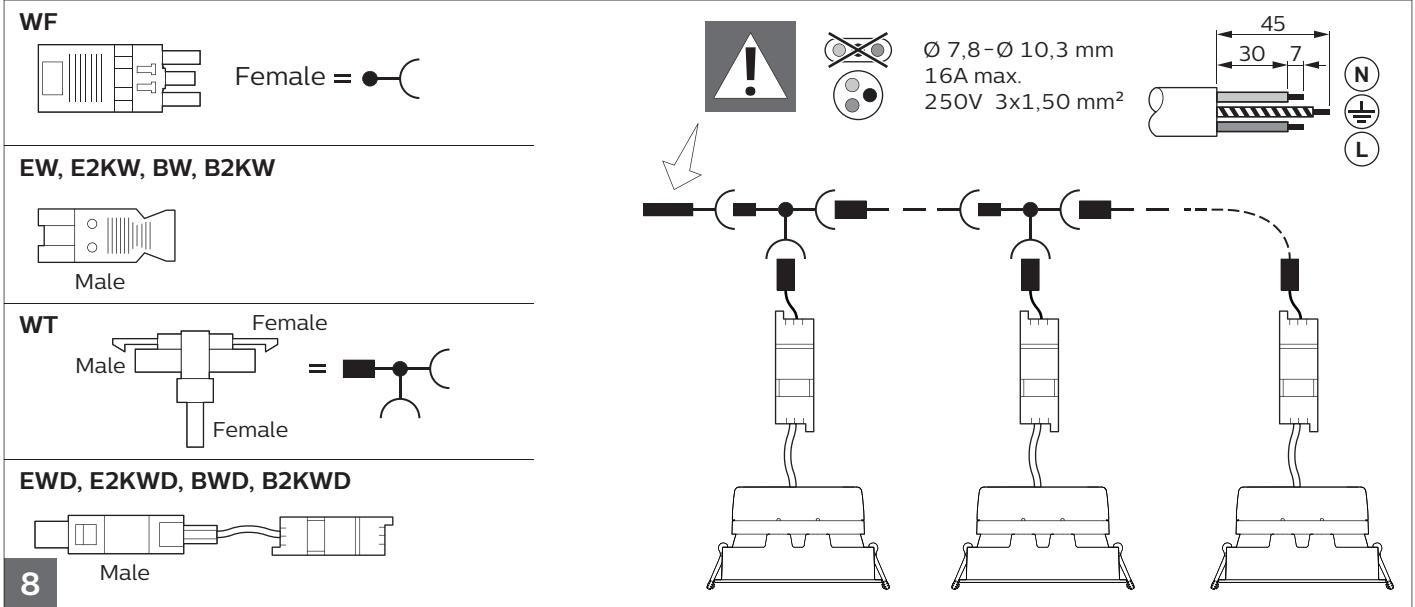
Trustsight DALI ELD3



3







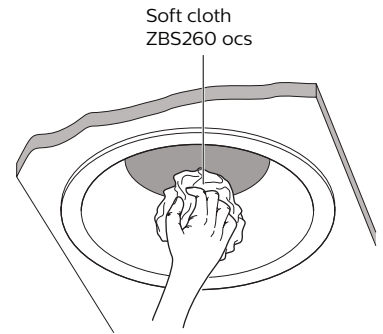
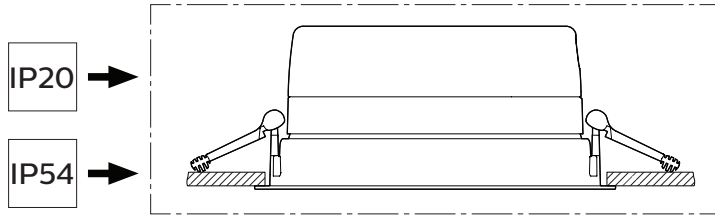
Inrush current

	LED8S			LED12S			LED24S 930/940/927		
	LED20S			LED40S			LED24S	LED60S	
	PSU-E	DIA-VLC-E	PSD-E	PSU-E	DIA-VLC-E	PSD-E	IAI	PSU-E	PSD-VLC-E
	Xitanium 20W WH 0.15-0.5A 54V Is G2	Xitanium 20W WH 0.15-0.5A 54V TD/Is CL	Xitanium 20W R 0.15-0.5A 54V TD/I	Xitanium 36W WH 0.3-1.05A 54V Is G2	Xitanium 36W WH 0.3-1.0A 54V TD/Is CL	Xitanium 40W R 0.3-1.05A 54V TD/I	Xitanium 36W 42V WZ 230V /I	Xitanium 50W WH 0.7-1.5A 54V Is G2	Xitanium 50W WH 0.7-1.5A 54V TD/Is CL
I_{nom} (A)	0.11	0.11	0.11	0.19	0.19	0.19	0.22	0.27	0.27
I_{max} (A)	15.8	20.4	18	16	20.4	18	12	23.5	23.5
T_{ref} (µs)	224	195	250	216	195	250	250	272	272
MCB									
Luminaires max.									
B-10 A	21	15	25	21	15	25	15	15	15
B-16 A	36	24	40	36	24	40	24	24	24
C-10 A	34	24	40	34	24	40	24	24	24

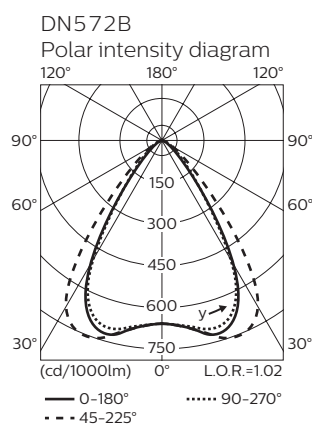
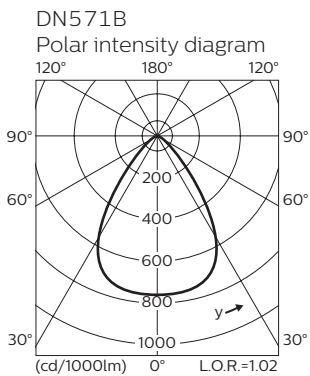
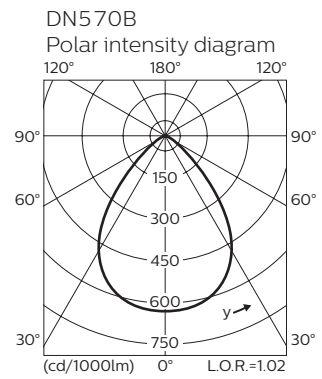
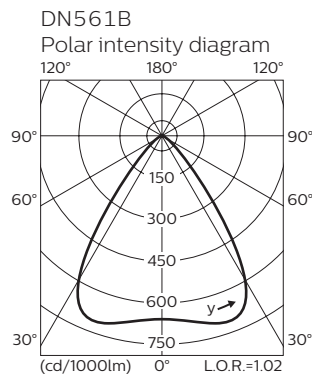
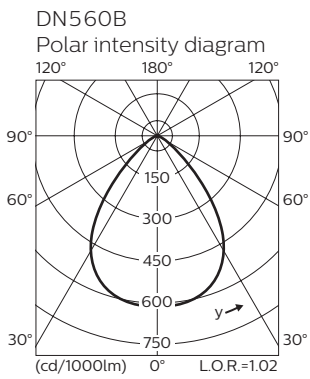
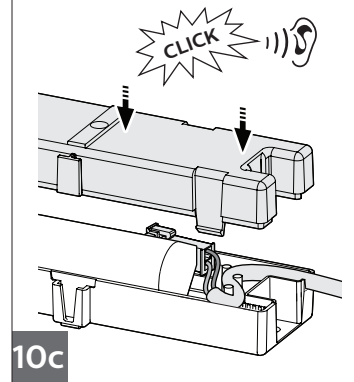
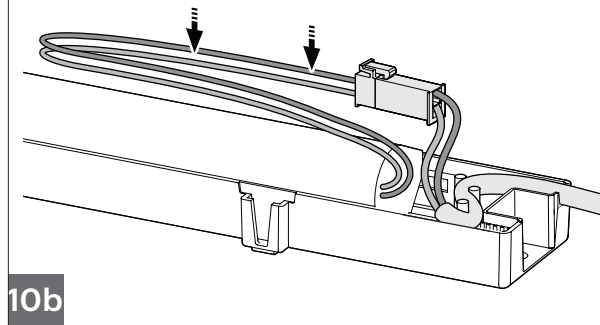
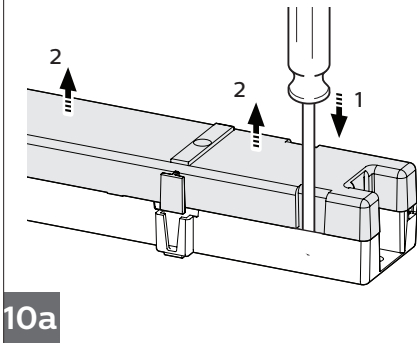
- The luminaire shall be installed by a qualified electrician and wired in accordance with the latest IEE electrical regulations or the national requirements.
- Only to be installed outside arms reach as recessed ceiling luminaire.
- The light source contained in this luminaire is non user replacable, it shall only be replaced by the manufacturer or his service agent or a similar qualified person.

ATTENTION
OBSERVE PRECAUTIONS
FOR HANDLING
ELECTROSTATIC
SENSITIVE
DEVICES

DN560B/DN561B/DN570B/DN571B + PG
 DN560B/DN561B/DN570B/DN571B + PGO



Battery replacement

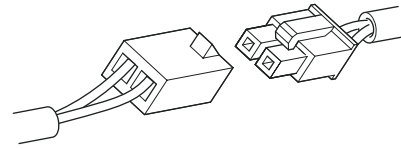
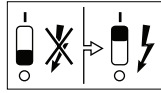


- lumen output (400 lm)
 - Power 3W

Service: (Driver/battery replacement)

The battery should be replaced when it no longer meets the rated duration of operation after the corresponding recharge period. The batteries have a life time expectancy of 6 years. Light source (LED) is not replaceable.

- 1.) Disconnect the old battery
2. Reconnect the new battery



LiFePO4 batteries will be charged before shipment and need to be used before the date indicated on the battery packing due to self-discharging when stored at $t_{\text{storage}} \leq 30^{\circ}\text{C}$.

These batteries will be charged by the TrustSight driver per the CC-CV method.

- Battery: LFP 4000 mAh (2S2P)
- Inrush current (I_{peak}): 5 A
- I_{peak} (half peak time): 110 μs
- Battery storage temp:
 - at $-20 - 25^{\circ}\text{C}$: max 12 months

Luminaire classification:

X	1	---	E	180
---	---	-----	---	-----

- X: self-contained
- 1: maintained
- A: Including test device
- E: non replaceable lamp/battery
- 180: duration of emergency mode [min]

Test button:

An optional test switch can be connected to the TrustSight emergency driver.

This switch can be connected in parallel to the indicator LED and be used in the following ways:

- Press 0 < time < 10s to initiate functional test as long as switch is pressed.
 - Press > 10s will complete the FT when the battery is not fully charged.
 - Press > 10s when battery is fully charged: a DT will be performed (indicator stays green).
- When the TrustSight is in Emergency mode there is a possibility to disconnect the battery by pressing the test switch for 3 seconds. This is intended to be able to switch off the emergency system after a light up test in Luminaire factory.

To assure the lighting quality of this unique LED lighting concept there are only a few instructions regarding the maintenance of this LED luminaire:

- Do not touch electronic components! Electronic components maybe under high voltage.
- Do not stare into LED light beam.
- The luminaire shall be installed by a qualified electrician and wired in accordance with the latest IEE electrical regulations or the national requirements.
- The batteries have a life time expectancy of 6 years.
- Only to be installed outside arms reach as recessed ceiling luminaire.
- The light source of this luminaire is not replaceable, when the light source reaches its end of life the whole luminaire shall be replaced.

Charging

After first installation (and after each emergency mode operation), the batteries need to be charged for at least 24 hours to become sufficiently charged again. If the battery is not completely discharged the required charge time is shorter accordingly. The status of the battery is given by the indicator LED.

Periodic testing

Periodic tests of emergency lighting luminaires must be performed according to EN50172 clause 7.2.3 and 7.2.4. Switch on in the emergency mode each month by simulation of a failure of the supply to the normal lighting for a period sufficient to ensure that each lamp is illuminated. Twice per year, each luminaire shall be tested for its full rated duration (at least 3hrs).

Self-Test

The TrustSight Pro version is equipped with a self-test functionality according IEC62034. 28 days after power-up the driver will perform a functional test of 30 seconds. Every 6th test (after half a year) will be a duration test. This test will run until the battery is fully discharged and the driver will verify if the capacity of the battery is sufficient to provide 3hrs emergency time.

This will result in 2 full duration tests every year. A duration test will only be performed if the battery is sufficient charged.

In case of a failure, an error will be indicated by the LED indicator.

The TrustSight DALI version is equipped with a self-test functionality according IEC62034. Automatic tests will be performed according the duration test (DT) and functional test (FT) programmable interval times. The DT Interval Time can be set at "0", disabling the duration tests. This means that there will be no DT initiated by the driver and the DT must be initiated by ATS (lighting management system). The same holds for the FT interval time. Via DALI interface the FT and DT can be initiated with DALI commands. In DALI standard operating mode the DT will be performed as long as the rated duration time (default 3 hour for TrustSight). When via OEM specific mode a DT is initiated also when a self-test DT is performed the test will take until the battery is fully empty. Full discharges are recommend for battery maintenance.

Conditions for Self-test

For both, DT and FT the TrustSight, permanent mains must be available and the battery must be charging or fully charged. A DT will only be performed when the battery is fully charged. A FT can be performed when the battery is partially charged. When scheduling a test (functional or duration test) the operation of the AC-driver is also checked. When the AC-driver is active (so normal lighting turned on), the test will be postponed for a maximum of 3 days. When the AC-driver is off for at least 2 hours the test will be started.

Manual Test

The TrustSight basic version must be tested manually according regulations. This can be done by disconnecting the permanent mains and observing the performance of the system. It is also possible to initiate a DT or FT with the test switch function.

LED indicator status			
LED indicator (colour/flashing)	Error condition	Cause	Solution
Green/no		System OK, battery fully charged	
No indication		Mains off, EM mode, Rest mode, test in progress	
Green/slow		System OK, battery is charging	
Green/fast		System OK, recently tested (x 5 days, Australia mode only)	
Red/no	Battery voltage too high or too low	No battery connected	Connect a battery
		Wrong or bad battery connected	Replace battery
Red/fast	Output voltage too low or too high	Wrong LED load connected	Connect a right load and perform functional test
	No load connected or output shorted	Wrong load connected	Connect a right load and perform functional test
Red/slow	Failed test due to battery	Battery end of life	Replace battery and perform a duration test
		Charger failure	Replace driver
Red-green/fast		DALI identify device	

Fast flashing: $f = 2 \text{ Hz}$ (on-time = 250ms, off-time = 250 ms)
Slow flashing: $f = 0.66 \text{ Hz}$ (on-time = 250ms, off-time = 1250 ms)

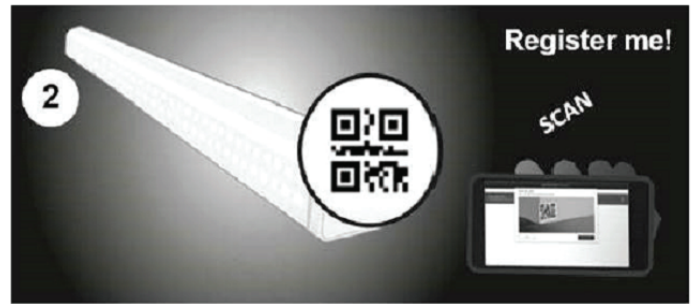


GB - Disconnect before servicing	DK - Frakobl, før service	IT - Togliere tensione prima di fare manutenzione
FR - Mettre hors tension avant intervention	NO - Koble fra før service	ES - Desconectar antes de manipular
DE - Öffnen nur spannungsfrei	FI - Irrota pistoke ennen huolto	SE - Bryt strömmen före lampbyte
NL - Stroom afsluiten voor onderhoud	CZ - Před servisem se odpojte	SK - Odpojit' pred údržbou
LT - Pirms apkopes atvienojiet no elektrības	TR - Servis yapmadan önce bağılantıyı kesin	SI - Pred servisiranjem izključite svetilko
EE - Katkestaja elektrii toide enne valgusti hooldust/remonti	HR - Prije servisiranja isključite	HU - Karbantartás előtt húzza ki a csatlakozót
PT - Desconecte antes de fazer a manutenção	GR - Αποσυνδέστε πριν από τη συντήρηση	PL - Odłącz przed serwisowaniem
	BG - Изключете преди сервис	RO - Deconectați-vă înainte de întreținere
	RU - Отключите перед обслуживанием	
	LV - Pirms apkopes atvienojiet to	

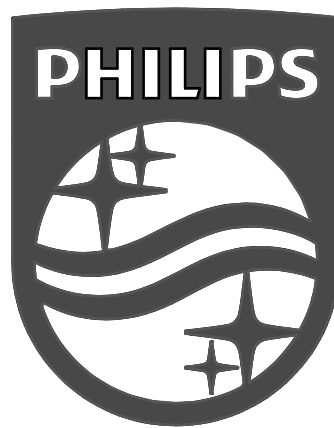
GB	Luminaire has basic insulation between Low Voltage supply and control conductors.	SE	Armaturen har enkelisolering mellan lågvoltförsörjningen och styrledningarna.	GR	Το φωτιστικό διαθέτει βασική μόνωση μεταξύ της χαμηλής τάσης τροφοδοσίας και των αγώγων ελέγχου.
ES	La luminaria tiene un aislamiento básico entre la alimentación de baja tensión y los cables de la señal de control.	NO	Armaturet har enkelisolering mellom lavvoltageforsyningen og styrledningene.	CZ	Ve svítidle je mezi vodiči napájení a řízení základní izolace.
PT	A luminária tem um isolamento básico entre a alimentação de baixa tensão e os cabos de sinal de controlo.	FI	Valaisimessa on peruseristys syöttöjännitteen ja ohjausohjtimien välillä.	TR	Armatür, Alçak Gerilim beslemesi ile kontrol iletkenleri arasında temel izolasyona sahiptir
DE	Die Leuchte verfügt über eine einfachen Isolation zwischen der Niederspannungsversorgung und den Steuerleitungen .	HU	A lámpatest kieszfűltségű és szabályozó bemenetei galvanikusan el vannak választva.	SK	Svietidlo má základnú izoláciu medzi vodičmi zdroja nízkeho napätia a riadiacimi vodičmi.
FR	Le luminaire comporte une isolation de base entre l'alimentation basse tension et les câbles de contrôle.	RO	Corpul de iluminat dispune de izolație de bază între sistemul de alimentare de joasă și conductorii de control.	LT	Šviestuvas turi elementarią izoliaciją tarp žemos įtampos maitinimo ir valdymo laidų.
IT	Il grado di isolamento tra il conduttore di alimentazione ed il conduttore di segnale è básico.	BG	Осветителното тяло има основна изолация между захранването ниско напрежение и контролните проводници.	LV	Gaismeklim ir pamata izolācija starp zemsprieguma barošanas un vadības aprīkojuma.
NL	Armatuur heeft een basisisolatie tussen laagspannings-voeding en controle bedrading.	RU	Светильник обладает базовой электроизоляцией между низковольтным блоком питания и управляющими проводниками.	EE	Valgustil on põhiisolatsioon madalpinge toite ja juhtimiseadmete vahel.
DK	Armaturet har enkelisolering mellem lavvoltageforsyningen og styrledningerne.	PL	Oprawa posiada podstawową izolację pomiędzy modulem zasilania niskonapięciowego i przewodami sterującymi.	SI	Svetilka ima osnovno izolacijo med nizkonapetostnimi napajalnimi in regulacijskimi vodniki.
GB	The control gear and/or the external flexible cable contained in this luminaire shall only be replaced by the manufacturer or his service agent or a similar qualified person. The light source contained in this luminaire is not replaceable, in case of damage replace the luminaire.	RO	Aparatul și / sau cablul flexibil extern conținut în acest aparat de iluminat trebuie înlocuit numai de producător sau de agentul de service sau de o persoană similară calificată. Sursa de lumină conținută în acest aparat de iluminat nu poate fi înlocuită, în caz de deteriorare înlocuiți aparatul de iluminat.	GR	Το όργανο έναυσης/ελέγχου ή/και το εξωτερικό εύκαμπτο καλώδιο που περιέχεται σε αυτό το φωτιστικό πρέπει να αντικαθίστανται μόνο από τον κατασκευαστή ή τον αντιπρόσωπο σέρβις ή παρόμοιο ειδικευμένο πρόσωπο. Η φωτεινή πηγή που περιέχεται σε αυτό το φωτιστικό δεν μπορεί να αντικατασταθεί, σε περίπτωση βλάβης αντικαταστήστε το φωτιστικό.
ES	El driver o el cable flexible contenido en la luminaria solo podrá ser sustituido por el fabricante o su agente de servicio o por una persona cualificada. La fuente de luz contenida en esta luminaria no es reemplazable, en caso de defecto se reemplazará la luminaria.	HU	A lámpatestben található működtető szerelvényt és/vagy a külső rugalmas kábel csak a gyártó, a gyártóval szerződött cég vagy megfelelő képesítéssel rendelkező szakember cserélheti ki. A fényforrás ebben a lámpatestben nem cserélhető, meghibásodás esetén cserélje a teljes lámpatestet.	HR	Predspojna naprava i / ili vanjski fleksibilni napojni kabel sadržan u ovoj svjetiljci smije zamijeniti samo proizvođač, ovlaštenu osobu. Izvor svjetlosti sadržan u ovoj svjetiljci nije zamjenjiv, u slučaju njegovog kvara, zamijeniti cijelu svjetiljku.
PT	O equipamento de controlo e/ou o cabo externo flexível nesta luminária só devem ser substituídos pelo fabricante ou pelo seu agente de serviço ou por pessoa qualificada para tal. A fonte de luz nesta luminária não é substituível, em caso de avaria, substitua a luminária.	TR	Bu armatürde bulunan kontrol tertibatı ve / veya harici esnek kablo yalnızca imalatçı veya onun servis temsilcisi veya benzer bir kalifiye kişi tarafından değiştirilmelidir. Bu armatürde bulunan ışık kaynağı değiştirilemez, hasar olması durumunda armatürü değiştiriniz.	GR	Το όργανο έναυσης/ελέγχου ή/και το εξωτερικό εύκαμπτο καλώδιο που περιέχεται σε αυτό το φωτιστικό πρέπει να αντικαθίστανται μόνο από τον κατασκευαστή ή τον αντιπρόσωπο σέρβις ή παρόμοιο ειδικευμένο πρόσωπο. Η φωτεινή πηγή που περιέχεται σε αυτό το φωτιστικό δεν μπορεί να αντικατασταθεί, σε περίπτωση βλάβης αντικαταστήστε το φωτιστικό.
DE	Das in der Leuchte enthaltene Betriebsgerät und/oder das externe flexible Anschlusskabel dürfen nur vom Hersteller oder seinem Kundendienst oder einer ähnlich qualifizierten Person ausgetauscht werden. Die in dieser Leuchte enthaltene Lichtquelle ist nicht austauschbar, tauschen Sie im Schadensfall die Leuchte aus.	HR	Predspojna naprava i / ili vanjski fleksibilni napojni kabel sadržan u ovoj svjetiljci smije zamijeniti samo proizvođač, ovlaštenu osobu. Izvor svjetlosti sadržan u ovoj svjetiljci nije zamjenjiv, u slučaju njegovog kvara, zamijeniti cijelu svjetiljku.	BG	Пусково-регулирущата апаратура и / или външният гъвкав кабел, съдържащ се в това осветително тяло, трябва да бъдат заменени само от производителя или неговия оторизиран сервиз или подобно квалифицирано лице. Източникът на светлина, съдържащ се в това осветително тяло, не е заменяем, в случай на повреда заменете цялото осветителното тяло.
FR	Le contrôleur de courant et/ou le câble souple d'alimentation contenus dans ce luminaire ne doivent être remplacés que par le fabricant, un de ses agents ou une personne qualifiée. La source lumineuse de ce luminaire n'est pas remplaçable, changez le produit en cas de défaut.	RU	ПРА и / или внешний гибкий кабель, содержащиеся в этом светильнике, могут быть заменены только производителем, его агентом по обслуживанию или аналогичным квалифицированным лицом. Источник света, содержащийся в этом светильнике, не подлежит замене, в случае повреждения замените светильник.	SK	Predradnik a/alebo externý flexibilný kábel obsiahnutý v tomto svietidle môže byť vymenený len výrobcom alebo servisným partnerom alebo inou podobne kvalifikovanou osobou. Svetelný zdroj obsiahnutý v tomto svietidle nie je vymeniteľný, v prípade poškodenia vymeňte svietidlo.
IT	Il dispositivo di controllo e/o il cavo flessibile esterno contenuti in questo apparecchio di illuminazione sono sostituiti solo dal costruttore, dal suo agente di servizio o da una persona qualificata analoga. La sorgente luminosa contenuta in questo apparecchio non è sostituibile, in caso di danni sostituire l'intero apparecchio di illuminazione.	LT	Valdymo įrenginys ir/arba išorinis lankstus kabelis esantis šiam šviestuve gali būti pakeistas tik gamintojo arba, jo aptarnavimo agento ar tai atitinkančio kvalifikuoto asmens. Esantis šiam šviestuve šviesos šaltinis nėra keičiamas, jam sugedus keičiamas šviestuvas.	LV	Šajā gaismeklī esošo vadības ierīci un / vai ārējo elastīgo kabeli drīkst nomainīt tikai ražotājs vai viņa servisa partneris vai līdzīga kvalificēta persona. Šajā gaismeklī esošais gaismas avots nav nomaināms, bojājuma gadījumā nomainiet gaismekli.
NL	De voorschakelapparatuur en/of de flexibele voedingskabel van dit armatuur mag alleen vervangen worden door de fabrikant of haar service dealer of een vergelijkbaar gekwalificeerd persoon. De lichtbron van dit armatuur is niet vervangbaar, in geval van defect dient het armatuur vervangen te worden.	EE	Selles valgustis sisalduva juhteadme ja/või välise painduva kaabli võib välja vahetada ainult tootja, vastav hoolduspetsialist või muu sarnane kvalifitseeritud isik. Selles valgustis sisalduvat valgusaliklat ei saa vahetada, kahjustuste korral vahetage välja valgusti.	SI	Napajalnik in / ali zunanji prilagodljivi kabel, ki ga vsebuje ta svetilka, lahko zamenjati samo proizvajalec ali njegov servis ali podobna usposobljena oseba. Vir svetlobe, ki ga vsebuje ta svetilka, ni zamenljiv, v primeru poškodbe svetilko zamenjajte.
DK	Driver og/eller eksterne kabler indeholdt I dette armatur må kun udskiftes af producenten eller hans service partner eller lignende kvalificeret person. Lyskilden indeholdt I dette armatur er ikke udskiftelig. I tilfælde af skade skift hele armaturet.	PL	Źródło światła i/lub zasilacz i/lub zewnętrzny przewód zasilający, który jest w oparciu powinien być wymieniony przez producenta lub jego serwisanta lub kwalifikowany personel. Źródło światła w tej oprawie nie jest wymienne, w przypadku jego uszkodzenia należy wymienić oprawę.		
SE	Styrsystemet och/eller den externa kabeln i denna armatur får endast bytas ut av tillverkaren eller en kvalificerad person. Ljuskällan är inte utbyttbar. Vid skada ska därför hela armaturen bytas ut.				
NO	Driveren og/eller den eksterne kabelen i dette armaturet skal bare erstattes av produsenten eller dens service agent eller tilsvarende kvalifisert person. Lyskilden i dette armaturet er ikke mulig å erstatte, hvis den er ødelagt må armaturet byttes ut.				
CZ	Napájecí zdroj (předradník) a/nebo flexibilná napájecí kabel obsažený v tomto svítidle smí vyměňovat pouze výrobce nebo jeho servisní technik nebo obdobně kvalifikovaná osoba. Světelný zdroj obsažený v tomto svítidle není vyměnitelný, v případě poškození vyměňte celé svítidlo.				
FI	Tämän valaisimen liitäntälaitte ja/tai ulkoinen kaapeli saadaan vaihtaa vain valmistajan tai tämän valtuuttaman huoltoedustajan tai vastaavan pätevän henkilön toimesta. Tässä valaisimessa oleva valonlähde ei ole vaihdettavissa, vaihda valaisin LED-komponentin vikaantuuessa.				
PL	Źródło światła i/lub zasilacz i/lub zewnętrzny przewód zasilający, który jest w oparciu powinien być wymieniony przez producenta lub jego serwisanta lub kwalifikowany personel. Źródło światła w tej oprawie nie jest wymienne, w przypadku jego uszkodzenia należy wymienić oprawę.				

- GB Storage, installation, use, operation and maintenance of the products needs to be performed exactly according the instructions in this manual and/or other instructions as may be provided by us to guarantee safe use of the product over its entire lifetime. Failure to adhere to these instructions will invalidate your entitlement to warranty. Bolts with indication of torque strength on the drawing need to be tightened using a calibrated torque wrench. Pre-assembled bolts need to be retightened again to the required torque specification to assure maximum strength over lifetime.
- ES El almacenamiento, instalación, uso, funcionamiento y mantenimiento de este producto debe realizarse exactamente según las instrucciones de este manual, así como otras instrucciones que le proporcionemos con el fin de garantizar un uso seguro del producto durante toda su vida útil. Si no se cumplen estas instrucciones, la garantía quedará anulada. Los tornillos con indicación de par de apriete en el dibujo, deben apretarse con una llave dinamométrica calibrada. Los tornillos del acoplamiento premontados deben reapretarse de nuevo con la especificación de par de apriete necesaria para garantizar una solidez máxima durante toda la vida útil de la luminaria.
- PT Para garantir uma utilização segura do produto durante a respetiva vida útil, o armazenamento, a instalação, a utilização, a operação e a manutenção dos produtos tem de ser efetuados exatamente de acordo com as instruções neste manual e/ou com outras instruções que possam ser fornecidas por nós. O incumprimento destas instruções irá invalidar o direito a garantia. Os parafusos com indicação do torque no esquema tem de ser apertados utilizando uma chave dinamométrica calibrada. Os parafusos pré-montados tem de ser novamente apertados de acordo com a especificação de torque necessário para garantir uma resistência máxima durante a vida útil.
- DE Lagerung, Installation, Verwendung, Betrieb und Wartung der Produkte müssen genau nach den Anweisungen in dieser Anleitung und/oder anderen von uns zur Verfügung gestellten Anweisungen erfolgen, um eine sichere Verwendung des Produkts über seine gesamte Lebensdauer zu gewährleisten. Bei Nichtbeachtung dieser Hinweise erlischt Ihr Anspruch auf Gewährleistung. Schrauben mit Angabe der Drehmomente auf der Zeichnung müssen mit einem kalibrierten Drehmomentschlüssel angezogen werden. Vormontierte Schrauben müssen mit dem angegebenen Drehmoment nachgezogen werden, um eine maximale Festigkeit über die gesamte Lebensdauer zu gewährleisten.
- FR Le stockage, l'installation, l'utilisation et la maintenance des produits doivent être effectués conformément aux instructions de ce manuel et / ou d'autres instructions que nous fournissons afin de garantir une utilisation sûre du produit pendant toute sa durée de vie. Le non-respect de ces instructions invalidera votre droit à la garantie. Les vis, dont les couples de serrage sont indiqués sur les schémas, doivent être serrés à l'aide d'une clé dynamométrique étalonnée. Les vis préassemblées doivent être resserrées à nouveau selon la spécification de couple de serrage requis afin d'assurer leur résistance maximale pendant toute leur durée de vie.
- IT Le stock, l'installazione, l'uso, il funzionamento e la manutenzione dei prodotti devono essere eseguiti esattamente in base alle istruzioni contenute nel presente manuale e / o in altra documentazione fornita da noi per garantire la sicurezza del prodotto per l'intera durata del suo utilizzo. La mancata osservanza di queste istruzioni annullerà la garanzia. I bulloni, con indicazione sull'intensità della coppia serraggio sul disegno devono essere serrati utilizzando una chiave dinamometrica calibrata. I bulloni pre-assemblati devono essere riserrati nuovamente secondo le specifiche di coppia richieste per assicurare la massima resistenza per tutta la durata.
- NL Om een veilig gebruik van dit product gedurende zijn hele levensduur te garanderen, dient het opslaan, installeren, gebruiken, bedienen en onderhouden ervan exact te worden uitgevoerd in overeenstemming met de instructies in deze handleiding en/of andere door ons geleverde instructies. Niet opvolgen van deze instructies maakt uw garantieaanspraken ongeldig. Bouten waarvan in de tekening het aanhaalkoppel is vermeld, dienen te worden vastgezet met behulp van een momentsleutel. Voorgeassembleerde bouten dienen opnieuw te worden aangehaald tot het vereiste koppel om maximale strekte gedurende de hele levensduur te waarborgen.
- DK Opbevaring, installation, brug, betjening og vedligeholdelse af produkterne må kun udføres ifølge instruktionerne i denne vejledning og/eller eventuelle øvrige instruktioner fra Signify for at garantere sikker brug af produktet i hele dets levetid. Hvis disse instruktioner ikke følges, bortfalder produktgarantien. Bolte/skruer med angivet spændingsmoment på tegningen skal spændes med en indstillet momentnøgle. Færdigsamlede bolte/skruer skal efterspændes i henhold til det specificerede moment for at sikre maksimal fastgørelse i hele produktets levetid.
- SE Förvaring, installation, användning, drift och underhall av produkterna måste utföras enligt instruktionerna i denna handbok och/eller andra instruktioner som kan tillhandahållas av oss för att garantera säker användning. Om instruktioner inte följs frångår man produktgaranti. Skruvar där vridmoment anges på ritningen måste dras åt med en kalibrerad skiftnyckel. Förmonterade skruvar måste dras åt igen med angivet vridmoment för att säkerställa högsta styrka under livslängden.
- NO Oppbevaring, montering, bruk, drift og vedlikehold av produktene må utføres nøyaktig i samsvar med instruksjonene i denne handboken og/eller andre instruksjoner vi måtte gi for å garantere sikker bruk av produktet i hele dets levetid. Hvis instruksjonene ikke følges, bortfaller garantien. Bolter med angivelse av dreiemoment på tegningen må strammes med en kalibrert momentnøkkel. Ferdigmonterte bolter må strammes på nytt til pakrevd dreiemoment for å sikre maksimal styrke i hele produktets levetid.
- FI Tuotteiden asennuksessa, käytössä ja huollossa on noudatettava tarkoin tässä käyttöoppaassa tai muissa toimittamissamme ohjemateriaaleissa annettuja ohjeita. Tämä varmistaa tuotteen turvallisen toiminnan koko sen käyttöajan ajan. Näiden ohjeiden noudattamatta jättäminen mitätöi kaikki oikeutesi takuukorvauksiin. Pultit, joille on asennusohjeessa ilmoitettu tietty kiristystiukkuus, on kiristettävä kalibroidulla momenttiavaimella. Esiasennetut pultit on kiristettävä ilmoitettuun kiristystiukkuteen koko käyttöajan mittaisen kestävyuden varmistamiseksi.
- HU A termékék tárolását, telepítését, használatát, üzemeltetését és karbantartását pontosan a jelen kézikönyvben és / vagy az általunk biztosított egyéb utasításoknak megfelelően kell elvégezni, hogy garantáljuk a termék biztonságos használatát az élettartama alatt. Ezen utasítások be nem tartása esélyteleníti a jótállási jogát. A rajzon a nyomaték-erősséggel jelzett csavarokat meg kell húzni egy kalibrált nyomatékkulccsal. Az előre összeszerelt csavarokat újra meg kell húzni a szükséges nyomaték specifikációhoz, hogy biztosítsák a maximális szilárdságot az élettartam során.
- PL Przechowywanie, instalacja, użytkowanie, obsługa i konserwacja produktów musi odbywać się ściśle według wytycznych zawartych w niniejszej instrukcji i / lub w innych instrukcjach, które dołączamy aby zagwarantować bezpieczne użytkowanie produktu przez cały okres eksploatacji. Nieprzestrzeganie tych instrukcji może spowodować utratę prawa do gwarancji. Śruby, przedstawione na rysunku wskazującym siłę momentu dokręcania, muszą być dokręcone za pomocą kalibrowanego klucza dynamometrycznego. Aby zapewnić maksymalną wytrzymałość w całym okresie użytkowania, wstępnie zamontowane śruby należy dokręcić zgodnie z wymaganą specyfikacją momentu dokręcania.
- RO Depozitarea, instalarea, utilizarea, operarea și întreținerea produselor trebuie să fie efectuate exact în conformitate cu instrucțiunile din acest manual și/sau cu alte instrucțiuni care pot fi furnizate de noi pentru a garanta utilizarea în siguranță a produsului, pe întreaga durată de viașă a acestuia. Nerespectarea acestor instrucțiuni vă va anula dreptul la garanție. Șuruburile care au cuplul de strângere indicat pe desen, trebuie să fie strânse cu ajutorul unei chei dinamometrice calibrate. Șuruburile preasamblate trebuie să fie strânse din nou la specificația de cuplu cerută, pentru a asigura rezistența maximă pe întreaga durată de viașă.
- CZ Při uchovávaní, montáži, používání a údržbě produktů je třeba postupovat přesně podle pokynů v této příručce a dalších našich případných pokynů, které zajišťují bezpečné používání produktů po celou dobu jejich životnosti. Když tyto pokyny dodržovat nebudete, přijdete o záruku. Šrouby, které mají na výkresu uveden uťahovací moment, je třeba uťahovat zkaliobrovaným momentovým klíčem. Předem namontované šrouby je třeba dotáhnout požadovaným momentem, aby po dobu životnosti produktu držely na místě.

- TR Ürünlerin saklanması, kurulumu, kullanımı, çalıştırılması ve bakımı, ürünün kullanım ömrü boyunca güvenli kullanımının sağlanması amacıyla tam olarak bu kılavuzdaki ve / veya tarafımızdan sağlanan diğer talimatlara uygun biçimde gerçekleştirilmelidir. Söz konusu talimatlara uyulmaması, ürüne ilgili garanti hakkınızı geçersiz kılar. Teknik çizimde yanında sıklıkla torku değeri belirtilen civatalar kalibre edilmiş bir tork anahtarı kullanılarak sıkılmalıdır. Önceden takılmış olarak gelen civataların da belirtilen tork değerine uygun biçimde yeniden sıkılması, kullanım ömrü boyunca maksimum dayanıklılığın sağlanması açısından önemlidir.
- BG Съхранението, инсталирането, употребата, експлоатацията и поддръжката на продуктите трябва да се извършват точно в съответствие с указанията в това ръководство и / или други инструкции, които могат да бъдат предоставени от нас, за да се гарантира безопасна употреба на продукта през целия му експлоатационен живот. Неспазването на тези указания ще обезсили Вашето право на гаранция. Болтовете с индикация за силата на въртящия момент на чертежа трябва да бъдат затегнати с помощта на калибриран гаечен ключ. Предварително сглобените болтове трябва да бъдат отново затегнати до изискваната спецификация на въртящия момент, за да осигурят максимална якост по време на експлоатационния живот.
- GR Η αποθήκευση, η εγκατάσταση, η χρήση, η λειτουργία και η συντήρηση των προϊόντων πρέπει να γίνεται ακριβώς σύμφωνα με τις οδηγίες του παρόντος εγχειριδίου ή / και τις άλλες οδηγίες που ενδεχομένως να παρασχεθούν, προκειμένου να είναι εγγυημένη η ασφαλής χρήση του προϊόντος για ολόκληρη τη διάρκεια ζωής του. Η μη εφαρμογή αυτών των οδηγιών θα ακυρώσει τα δικαιώματά σας στο πλαίσιο της εγγύησης. Οι βίδες με ένδειξη τιμής ροπής σύσφιξης στο σχέδιο θα πρέπει να σφίχτούν με τη χρήση ενός βαθμονομημένου ροπακλειδού. Οι προ-συναρμολογημένες βίδες πρέπει να σφίχθούν και πάλι με την απαιτούμενη τιμή ροπής σύσφιξης, προκειμένου να διασφαλιστεί η μέγιστη ισχύς σε όλη τη διάρκεια ζωής.
- RU Чтобы гарантировать безопасное использование этого изделия на протяжении всего соответствующего срока службы, его хранение, установку, использование, эксплуатацию и обслуживание необходимо осуществлять в точном соответствии с приведенными в настоящем руководстве инструкциями и (или) иным инструкциями, которые могут быть предоставлены нами. Несоблюдение этих инструкций приведет к потере прав на гарантию. Болты, для которых на чертеже указан крутящий момент, необходимо затягивать калиброванным динамометрическим ключом. Для обеспечения максимальной прочности изделия в течение всего срока службы болты, завинченные в ходе предварительной сборки, необходимо подтянуть до указанного момента.
- SK Uskladnenie, inštalácia, používanie a údržba produktov je potrebné postupovať presne podľa pokynov v manuáli a/alebo iných nami poskytnutých pokynov, ktoré zaisťujú bezpečné používanie produktu počas celej doby životnosti. Nedodržaním týchto pokynov sa ruší záruka. Skrutky s naznačenou silou utiahnutia, musia byť utáňované kalibrovaným momentovým kľúčom. Vopred namontované skrutky musia byť znovu utiahnuté podľa požadovanej špecifikácie, aby komponenty držali na mieste počas celej životnosti.
- HR Pohranjivanje, instaliranje, uporaba, korištenje i održavanje proizvoda treba se vršiti točno u skladu s uputama u ovom priručniku i/ili s drugim uputama osiguranim s naše strane kako bi se jamčila sigurna uporaba proizvoda kroz cijeli radni vijek. Nepoštivanje ovih uputa poništava vaše pravo na jamstvo. Vijci s indiciranim momentom zatezanja na nacrtu trebaju biti učvršćeni korištenjem zateznog alata s kalibriranim momentom zatezanja. Također i već učvršćeni vijci trebaju biti dotezani do specificiranog zateznog momenta kako bi se osigurala učvršćenost tijekom cijelog radnog vijeka.
- LT Produktų saugojimas, montavimas, naudojimas, eksploatavimas ir priežiūra turi būti atlikti tiksliai pagal instrukcijas, pateiktas šiame vadove ir (arba) kitas instrukcijas, kurias mes galime pateikti, kad garantuotume saugų gaminio naudojimą per visą jo eksploatavimo laiką. Jei nesilaikysite šių instrukcijų nurodymų bei reikalavimų, jūsų teisė į garantiją bus panaikinta ir nebegalios. Varžtai, nurodantys sukimo momento stiprumą brėžinyje, turi būti užveržti naudojant kalibruotą sukimo momento veržliaraktį. Iš anksto sumontuotus varžtus reikia vėl priveržti iki reikiamo sukimo momento, kad būtų užtikrintas maksimalus tvirtumas per visą eksploatavimo laiką.
- LV Izstrādājumu uzglabāšana, uzstādīšana, lietošana un apkope jāveic precīzi saskaņā ar šajā rokasgrāmatā sniegtajām instrukcijām un / vai citām instrukcijām, kuras mēs varam piedāvāt, lai garantētu produkta drošu lietošanu visā tā darbības laikā. Neievērojot šos norādījumus, jūsu tiesības uz garantiju tiek anulētas. Bultskrūves ar norādi uz griezes stiprumu zīmējumos jābūt pieskrūvētām izmantojot kalibrētu griezes atslēgu. Iepriekš samontētās skrūves ir atkal jāpievelk līdz vajadzīgajai griezes specifikācijai, lai nodrošinātu maksimālu pieguli visā ekspluatācijas laikā.
- EE Toodete ladustamine, paigaldamine, kasutamine, käitamine ja hooldus tuleb läbi viia täpselt vastavalt selle juhendi juhistele ja/või muudele meie poolt pakutavatele juhistele, et tagada toote ohutu kasutamine kogu selle toote eluaja jooksul. Nende juhiste mittejärgimine kaotab teie õiguse garantiile. Poldid, millel on joonisel toodud põrde-momendi tugevus, tuleb pingutada kalibreeritud põrde-moment mutrivõtme abil. Eelnevalt kinnitatud poldid tuleb uuesti pingutada vastavalt nõutavale põrde-momendi spetsifikatsioonile, et tagada maksimaalne kinnituse tugevus kogu eluea jooksul.
- SI Skladiščenje, namestitve, uporaba, delovanje in vzdrževanje izdelkov mora biti natančno izvedeno v skladu z navodili v tem priročniku in / ali drugim navodili za zagotovitev varne uporabe izdelka skozi celotno življenjsko dobo. V primeru neupoštevanja teh navodil, se lahko razveljavi pravica do garancije. Vijake, ki imajo označen navor, je potrebno zategniti s kalibriranim navornim ključem. Vijake, ki so že sestavljeni, je potrebno znova priviti v skladu z zahtevanim navorom, da je zagotovljena maksimalna moč skozi življenjsko dobo.
- GB This product contains a light source of energy efficiency class: see table or label.
- RO Acest produs conține o sursă de lumină cu clasa de eficiență energetică: a se vedea tabelul sau eticheta.
- ES Este producto contiene una fuente luminosa de la clase de eficiencia energética: ver tabla o etiqueta.
- CZ Tento výrobek obsahuje světelný zdroj s třídou energetické účinnosti: viz tabulka nebo štítek.
- PT Este produto contém uma fonte de luz da classe de eficiência energética: ver tabela ou rótulo.
- FI Tämä tuote sisältää valonlähteen, jonka energiatehokkuusluokka on: katso taulukko tai etiketti.
- DE Dieses Produkt enthält eine Lichtquelle der Energieeffizienzklasse: siehe Tabelle oder Etikett.
- SE This Denna produkt innehåller en ljuskälla med energieffektivitetsklass: se tabell eller etikett.
- FR Ce produit conti nt une source lumineuse de classe d'efficacité énergétique: voir tableau ou étiquette.
- HU Ez a termék egy energiatékonysági osztályú fényforrást tartalmaz: lásd a táblázatot vagy a címkét.
- IT Questo prodotto contiene una sorgente luminosa di classe di efficienza energetica: vedere tabella o etichetta.
- SK Tento výrobok obsahuje svetelný zdroj triedy energetické účinnosti: pozri tabuľku alebo štítok.
- NL Dit product bevat een lichtbron van energie-efficiëntieklasse: zie tabel of label.
- HR Ovaj proizvod sadržava izvor svjetlosti klase enemetske učinkovitosti: vidi tablicu ili naljepnicu.
- DK Dette produkt indeholder en lyskilde i energieffektivitetsklasse: se table eller etiket.
- LV Šis ražojums satur gaismas avotu, kura energoefektivitātes klase ir: skatīt tabulu vai etiķeti.
- LT Šiame gaminyje yra šviesos šaltinis, kurio energijos vartojimo efektyvumo klasė: žr. lentelę arba etiketę.
- EE Toode sisaldab energiatõhususe klassi valgusallikat: vt tabelit või etiketi.
- GR Το προϊόν αυτό περιέχει φωτεινή πηγή της τάξης ενεργειακής απόδοσης: βλέπε πίνακα ή ετικέτα.
- BG Този продукт включва светлинен източник с клас на енергийна ефективност: вижте таблицата или етикетата.
- PL Ten produkt zawiera źródło światła o klasie efektywności energetycznej: patrz tabela lub etykieta.
- SI Ta izdelek vsebuje svetlobni vir razreda energijske učinkovitosti: glej tabelo ali nalepko.



To get an overview of all spare parts for a luminaire, please refer to detailed instructions in the service manual available via the Signify Service tag apps (Android and iOS).



© 2021 Signify Holding

All rights reserved. Reproduction in whole or in part is prohibited without the prior written consent of the copyright owner. The information presented in this document does not form part of any quotation or contract, is believed to be accurate and reliable and may be changed without notice. No liability will be accepted by the publisher for any consequence of its use. Publication thereof does not convey nor imply any license under patent- or other industrial or intellectual property rights.

Signify Holding
The Netherlands