

DESCRIPTION

A low brightness 3-1/2 inch aperture adjustable accent fixture for MR16 LED lamps (10W max). Optics provide 50° cutoff and maximize output by allowing the lamp axis to pivot about the center of the aperture at the ceiling line, allowing maximum light output with no flashback.

Catalog #		Type
Project		
Comments		Date
Prepared by		

SPECIFICATION FEATURES

Reflector

Spun 0.040" aluminum. Available in a variety of Alzak® finishes. Painted white finish as well as white or black baffles. Two torsion springs pull trim tight to ceiling. Reflector is keyed to prevent improper orientation relative to lamp. 1-1/2" pinhole with black shielding cone and oculus.

Trim Ring

Self flanged or white painted trim ring. Mechanical light trap eliminates spill light at edge of flange or reflector.

Aiming Mechanism

Stable lamp aiming and locking mechanism allows smooth 361° rotation and 45° elevation adjustment. Lamp aiming scale enables consistent setting across multiple fixtures. Unit is relamped without unlocking adjustments.

Housing

One piece die cast 1" deep collar. 18 gauge CRS housing is painted optical matte black to eliminate stray light. Housing is top accessible.

Universal Mounting Bracket

Accepts 1/2" EMT, C Channel, T bar fasteners and hanger bars. Provides 5" total adjustment.

Junction Box

Listed for six #12g (three in, three out) 90°C conductors feed through branch wiring. Pry-outs for six 1/2" conduits. Access to junction box through panel in side of housing.

Socket

GX5.3 base for Bi-pin MR16 lamps. Field replaceable with keyed connector.

Transformer

10VA, toroidal dual tap 120/277V transformer features a bolted and acoustically isolated mounting to ensure quiet operation. Transformer is serviceable from below ceiling.

Insulation Detector

Self-resetting insulation detector opens circuit if insulation is improperly installed.

Labels

cULus listed, damp location

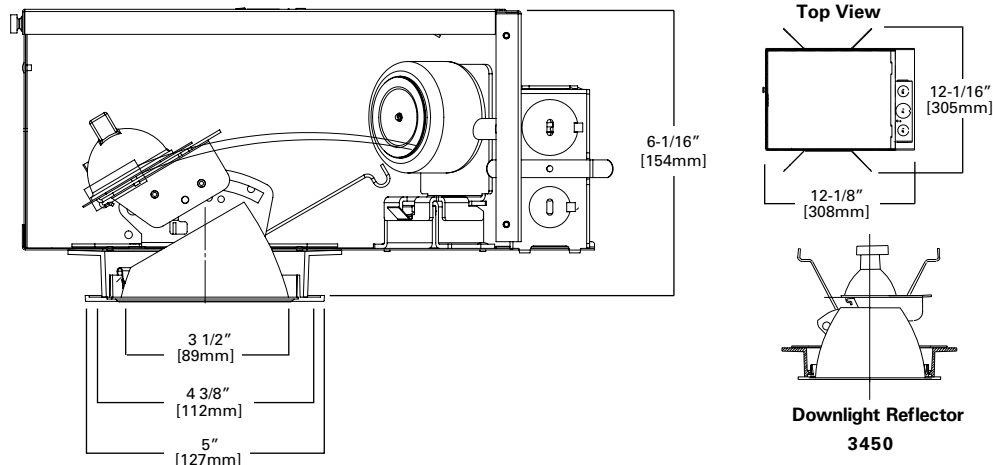


HA3MR
3450/3451
3470/3471
3470PIN

10W MAX
LED MR16

3-1/2-Inch Downlight
1-1/2-Inch Pinhole
Top Access

DIMENSIONS



ORDERING INFORMATION

Housing	Options	Reflector	Finish	Option	Accessories
HA3MRWL10=3" MR16 Directional, 120/277V, 10W max	CP=Chicago Plenum	3451=Downlight Reflector, Self Flanged 3450=Downlight Reflector, Metal Trim Ring, White 3471=Angle Cut Reflector, Self Flanged 3470=Angle Cut Reflector, Metal Trim Ring, White 3470PIN=Pinhole, Black Cone with White Trim Ring ¹	B=Specular Black GP=Graphite GPH=Graphite Haze H=Semi-Specular Clear LI=Specular Clear W=Gloss White WH=Wheat WHH=Wheat Haze WMH=Warm Haze	WF=White Painted Flanged (Self Flanged only)	HB26=C Channel Bar Hangers, 26" Long, Pair HB50=C Channel Bar Hangers, 50" Long, Pair FK5=5 Amp Field Installable Fuse Kit 300V Max L100 Series=Color Filters and Lens RMB-22=Wood Joist Bar Hanger, 22" Long, Pair

Note: 1. Omit finish.