

INSTALLATION INSTRUCTIONS

G3

Signify North America Corporation
200 Franklin Square Drive
Somerset N.J. 08873, USA

Signify Canada Ltd./Signify Canada Ltée.
281 Hillmount Road,
Markham, ON, Canada L6C 2S3

IMPORTANT: Read all instructions before performing any work. Make sure ALL POWER is OFF PRIOR to installing luminaires.

CAUTION: Signify Gardco is not responsible for failure of mounting components supplied by others. Proper care should be exercised in mounting component selection to insure adequate luminaire support, given luminaire weight, vibration potential and thermal conditions present in the application. If luminaires are supported solely by screws into a composite j-box, additional support directly to structure is recommended. Failure to properly support the luminaire may cause damage or injury, for which Signify Gardco is not responsible.

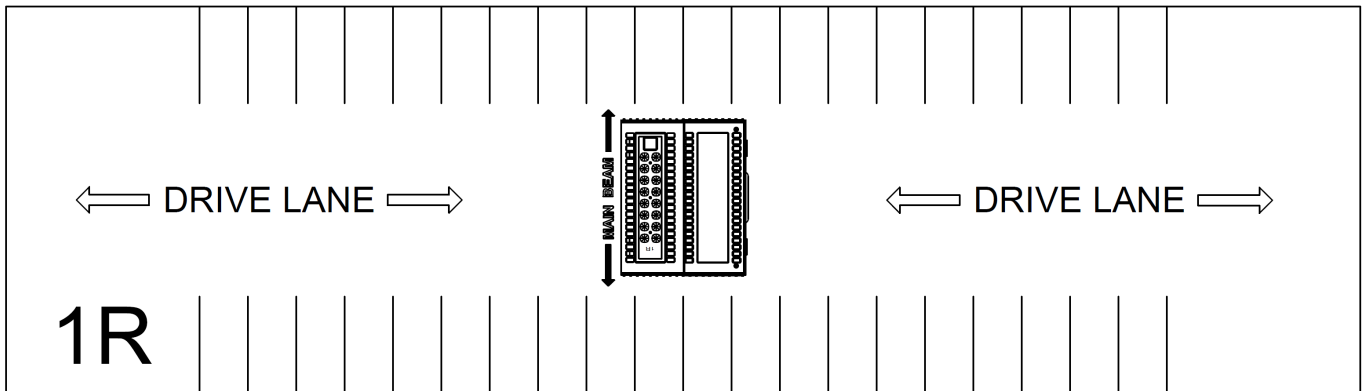
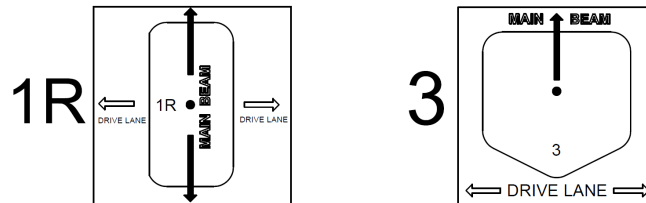
Mounting Plate Installation

G3 Luminaires must be aimed and aligned per plans.

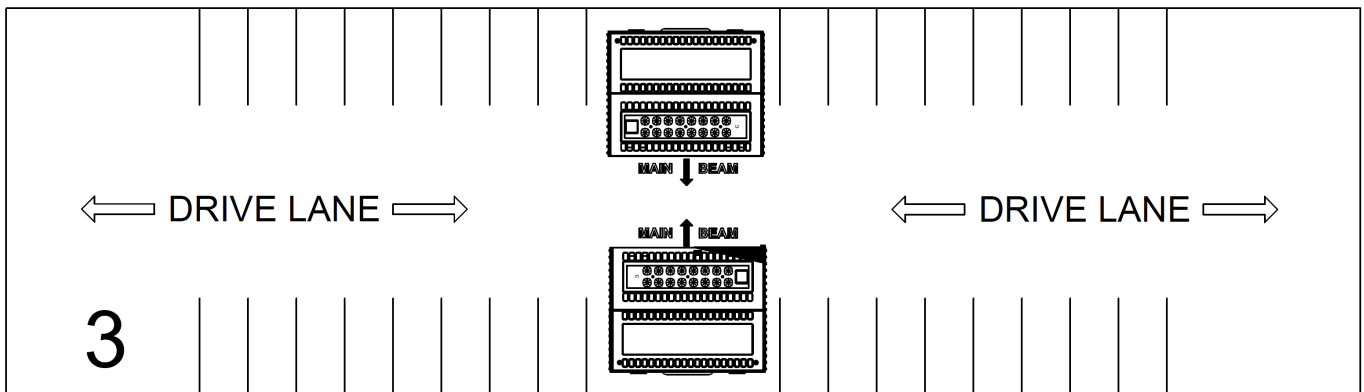
Mounting plate must be positioned parallel or perpendicular to driving lane.

Refer to the diagrams below for correct orientation.

LABELS FOR
OPTIC PLATE



TYPICAL '1R' DISTRIBUTION INSTALLATION



TYPICAL '3' DISTRIBUTION INSTALLATION

© 2018 Signify Holding. All rights reserved. This document contains information relating to the product portfolio of Signify which information may be subject to change. No representation or warranty as to the accuracy or completeness of the information included herein is given and any liability for any action in reliance thereon is disclaimed. The information presented in this document is not intended as any commercial offer and does not form part of any quotation or contract. All trademarks are owned by Signify Holding or their respective owners.

INSTALLATION INSTRUCTIONS

G3

IMPORTANT: Read all instructions before performing any work. Make sure ALL POWER is OFF PRIOR to installing luminaires.

CAUTION: Signify Gardco is not responsible for failure of mounting components supplied by others. Proper care should be exercised in mounting component selection to insure adequate luminaire support, given luminaire weight, vibration potential and thermal conditions present in the application. If luminaires are supported solely by screws into a composite j-box, additional support directly to structure is recommended. Failure to properly support the luminaire may cause damage or injury, for which Signify Gardco is not responsible.

Mounting Plate Installation

- Remove mounting plate from luminaire and install plate to junction box in one of the following manners:
 - For Damp Location Usage:** Secure mounting plate to 4" octagonal metal junction box using (2X) #8 screws (by others) per Fig. 1.
 - For Wet Location Usage:** Secure mounting plate to weather proof cast metal junction box (by others). Seal between the mouth of cast box and mounting plate with TRV silicone sealant (by others, or equivalent to prevent water entry).

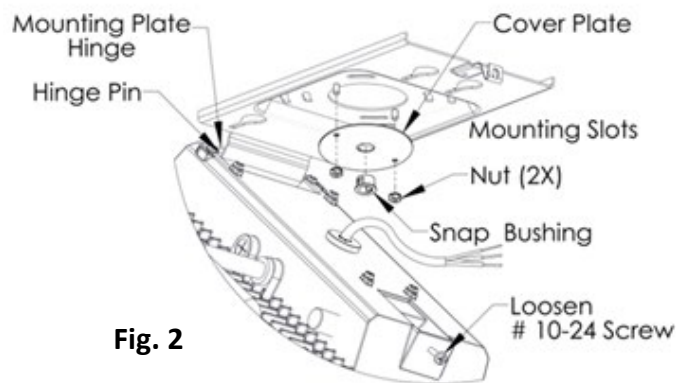
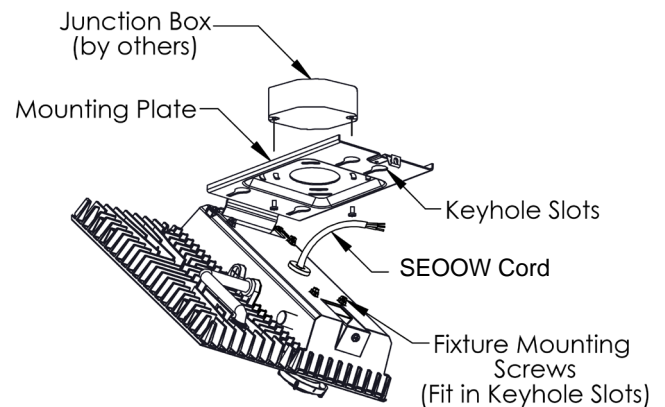


Fig. 2



Luminaire Installation

- Install luminaires to mounting plate by slipping 1/8" diameter steel rod into mounting plate hinge per Fig. 2. Remove your hands from luminaire, allowing it to rest in hinged position per Fig. 3.
- Remove cover plate by loosening nuts (2X). Pull SEOW cord through cover plate hole and connect respective line, common and ground supply leads to luminaire leads with wire connections. Push wires into junction box. Replace and secure cover plate to mounting plate.
- Unscrew the #10-24 locking screw on the housing, but do not completely remove.
- Hinge luminaire to leveled position. Push up so that the four screw heads in the top of the fixture housing fit through the keyhole slots in the mounting plate.
- Slide luminaire toward hinge in order to engage spring clip with set screw. Tighten the locking screw completely, per Fig. 4.
- Energize system.

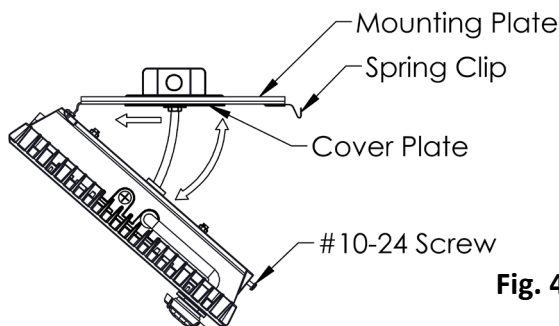
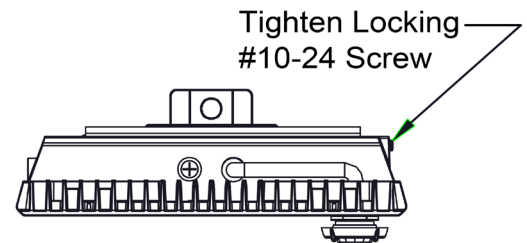
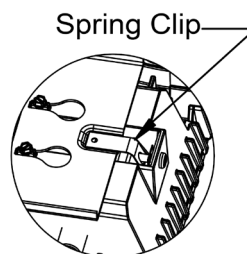


Fig. 4



which information

may be subject to change. No representation or warranty as to the accuracy or completeness of the information included herein is given and any liability for any action in reliance thereon is disclaimed. The information presented in this document is not intended as any commercial offer and does not form part of any quotation or contract. All trademarks are owned by Signify Holding or their respective owners.

Part Number 443561200750 Rev. H

Page 2 of 4

GARDCO
by **ignify**

www.gardcolighting.com

INSTALLATION INSTRUCTIONS

G3

Signify North America Corporation
200 Franklin Square Drive
Somerset N.J. 08873, USA

Signify Canada Ltd./Signify Canada Ltée.
281 Hillmount Road,
Markham, ON, Canada L6C 2S3

IMPORTANT: Read all instructions before performing any work. Make sure ALL POWER is OFF PRIOR to installing luminaires.

CAUTION: Philips Gardco is not responsible for failure of mounting components supplied by others. Proper care should be exercised in mounting component selection to insure adequate luminaire support, given luminaire weight, vibration potential and thermal conditions present in the application. If luminaires are supported solely by screws into a composite j-box, additional support directly to structure is recommended. Failure to properly support the luminaire may cause damage or injury, for which Philips Gardco is not responsible.

Rigid Pendant Stem Mount Installation

1. Install junction box (see mounting plate installation for appropriate type) to steel conduit per Fig. 5.
2. Install mounting plate and luminaire as described on other side of this sheet.

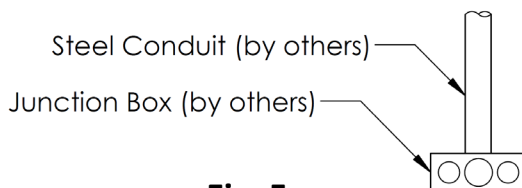
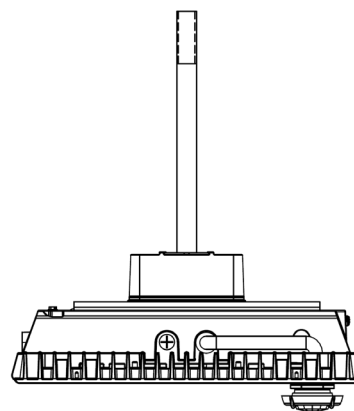
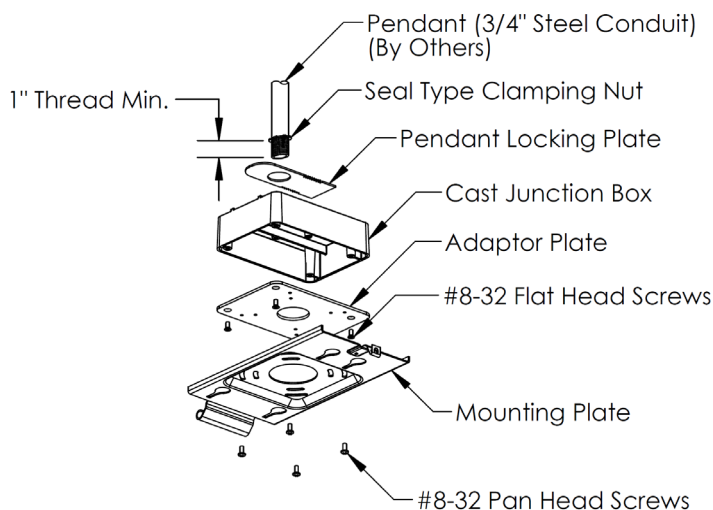


Fig. 5

Non-Rigid Pendant Stem Mount

1. Install clamping nut (supplied) to $\frac{3}{4}$ " IPS steel conduit (by others). Sealing feature to be toward open end of conduit.
2. Insert threaded end of conduit through pendant locking plate and into the threaded sliding bracket on the inside of the cast junction box. Pendant locking plate gasket to be toward open end of conduit. Screw pendant into sliding bracket until all the threads of the bracket are engaged. Do not tighten the clamping nut yet.
3. Attach adaptor plate to cast junction box with (4X) #8-32 Flat Head Screws.
4. Attach mounting plate to adaptor plate with (4X) #8-32 Pan Head Screws.
5. Proceed with luminaire installation as described on page 2.
6. Slide pendant and pendant locking plate until unit hangs straight. Tighten clamping nut. Make certain triangular set of features in cast junction box engages a set of "V" shaped notches in the pendant locking plate.



Pendant Stem Mount

Fig. 6



www.gardcolighting.com

© 2018 Signify Holding. All rights reserved. This document contains information relating to the product portfolio of Signify which information may be subject to change. No representation or warranty as to the accuracy or completeness of the information included herein is given and any liability for any action in reliance thereon is disclaimed. The information presented in this document is not intended as any commercial offer and does not form part of any quotation or contract. All trademarks are owned by Signify Holding or their respective owners.

Part Number 443561200750 Rev. H

Page 3 of 4

INSTALLATION INSTRUCTIONS

G3

Signify North America Corporation
200 Franklin Square Drive
Somerset N.J. 08873, USA

Signify Canada Ltd./Signify Canada Ltée.
281 Hillmount Road,
Markham, ON, Canada L6C 2S3

IMPORTANT: Read all instructions before performing any work. Make sure ALL POWER is OFF PRIOR to installing luminaires.

CAUTION: Philips Gardco is not responsible for failure of mounting components supplied by others. Proper care should be exercised in mounting component selection to insure adequate luminaire support, given luminaire weight, vibration potential and thermal conditions present in the application. If luminaires are supported solely by screws into a composite j-box, additional support directly to structure is recommended. Failure to properly support the luminaire may cause damage or injury, for which Philips Gardco is not responsible.

Bird Shroud Installation

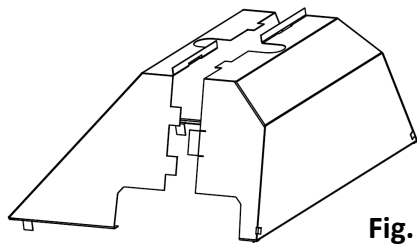
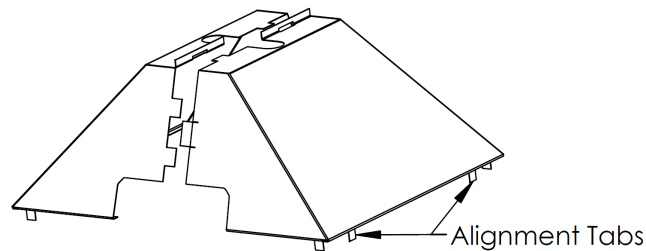


Fig. 7



Alignment Tabs

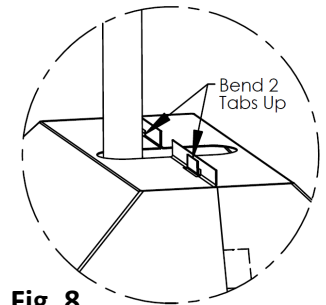


Fig. 8

Bird Shroud Kit for Single Light Engine

Bird Shroud Kit for Double Light Engine

1. With luminaire in installed position, place the 2 piece Bird Shroud on top of luminaire as shown in Fig. 9.
2. Insert locking tabs as shown along both sides of Bird Shroud to join and secure shrouds together. Tabs should be on the inside and not visible from the outside.
3. Insert 2 tabs on top of Bird Shroud through the slot as shown in Fig. 8 and bend up to secure.
4. Secure Bird Shroud to luminaire heat sink by placing alignment tabs between heat sink fins and pushing Bird Shroud down so that it sits flat on the heat sink as shown in Fig. 9 & 10. If installing Bird Shroud for single light engine configuration, remove (2X) ¼-20 set screws and secure smaller Bird Shroud to heat sink using (2X) ¼-20 x 3/8 screws (provided) as shown in Fig. 11.
5. See Fig. 12 for final installed Bird Shroud.

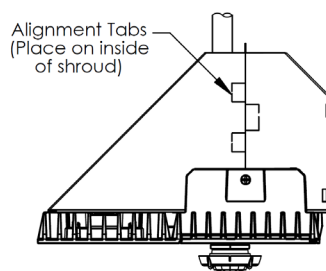


Fig. 9

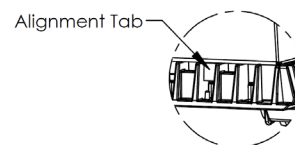
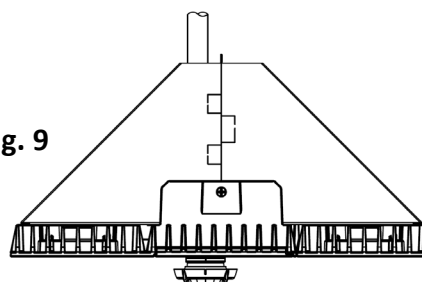
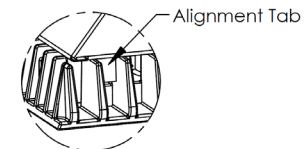


Fig. 10



Alignment Tab

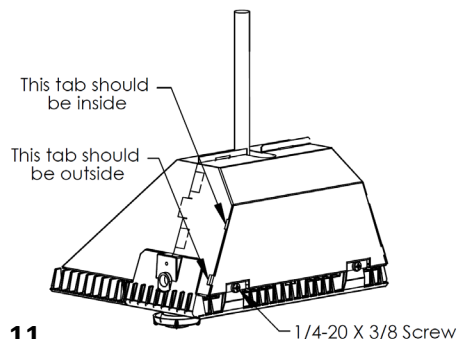


Fig. 11

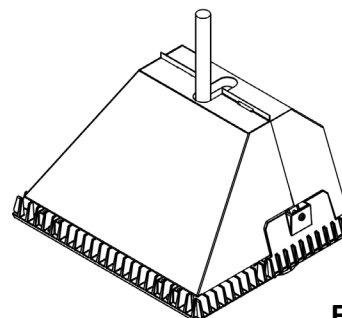
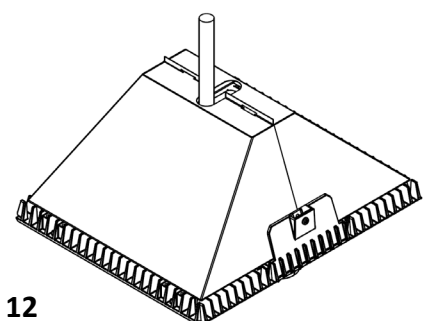


Fig. 12



© 2018 Signify Holding. All rights reserved. This document contains information relating to the product portfolio of Signify which information may be subject to change. No representation or warranty as to the accuracy or completeness of the information included herein is given and any liability for any action in reliance thereon is disclaimed. The information presented in this document is not intended as any commercial offer and does not form part of any quotation or contract. All trademarks are owned by Signify Holding or their respective owners.

Part Number 443561200750 Rev. H

Page 4 of 4

GARDCO
by @ignify

www.gardcolighting.com