

Warnings

Always make sure the luminaire is detached from the mains socket
Always make sure the DC cable is detached from the power supply
Staring at the operating light source may cause eye injury

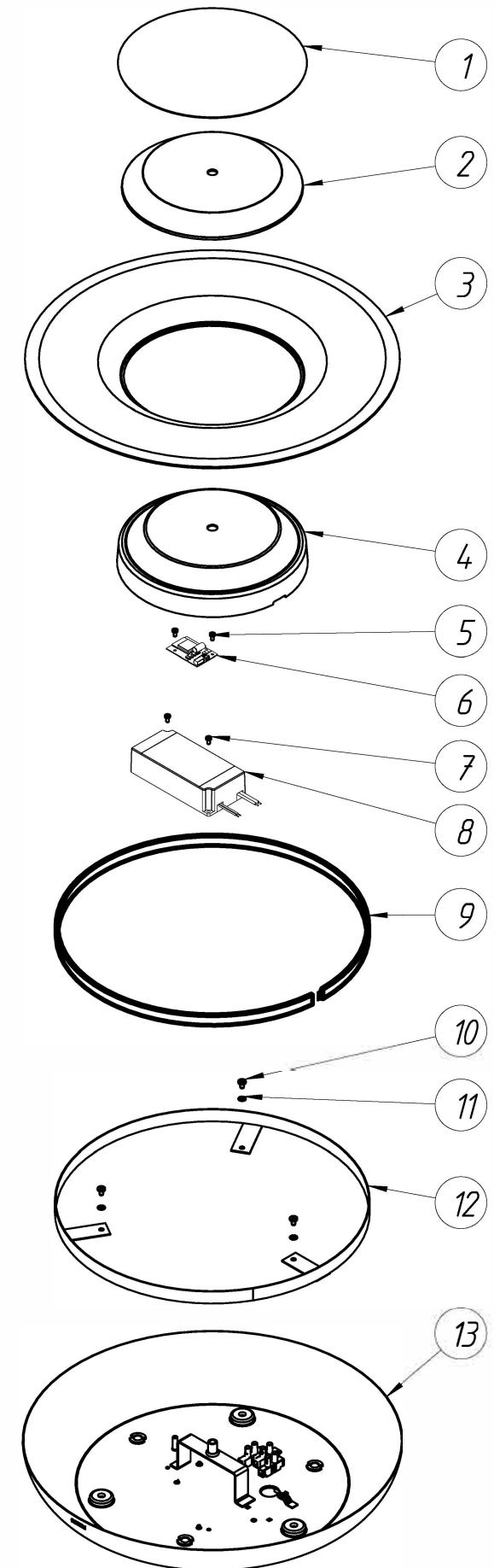
#	Disassemble/dismantle steps	Tools needed
a	Remove the deco plate (1) by turning it counterclockwise.	-
b	Remove cap (2)	-
c	Remove the diffuser (3).	-
d	Remove the reflector (4)	-
e	Remove flat cable from the LIGHT SOURCE - LED STRIP [9] and LIGHT SOURCE - HUE CONNECT [6]	-
f	Remove low voltage wires of LIGHT SOURCE - HUE CONNECT (6)	LATHEAD SCREWDRIVER OR WAGO TOOL #2065
g	Remove the CONTROL GEAR - PSU (8) from the base (13) by unscrewing screws (7).	TORXHEAD SCREW DRIVER T10
h	Remove the LIGHT SOURCE - HUE CONNECT (6) from the base (13) by unscrewing screws (5)	TORXHEAD SCREW DRIVER T10
i	Remove HEAT SINK (12) by unscrewing screws (10).	CROSSHEAD SCREWDRIVER PZ
j	Remove light strip (9) acc. to instruction: 442295215544_L2 Removal and Test Instruction Flex LED strip	See instruction.

- A specific Wago tool #2065 can be ordered separately for wire insertion and release tool:



#	COMPONENT	QTY
1	DECO PLATE	1
2	CAP	1
3	DIFFUSER	1
4	REFLECTOR	1
5	SCREW	2
6	LIGHT SOURCE - HUE CONNECT	1
7	SCREW	2
8	CONTROL GEAR - PSU	1
9	LIGHT SOURCE - LED STRIP	1
10	SCREW	3
11	WASHER	3
12	HEAT SINK	1
13	BASE	1

SKU	Color	Country
929003055301	White	EU
929003055501	BLACK	EU
929003055401	ALUMINIUM	EU



STATUS	DESCRIPTION	DESIGN ID	01	2021-07-26
Still ceiling Disassembly instruction				
NAME	He Go	LOCAL PART ID	SH.	2
CHECKED		DATE	2021-07-26	
				A3-L

