

**DESCRIPTION**

Shallow Baffle trim for H25 incandescent housing. Dual position socket support for BR or PAR lamps.

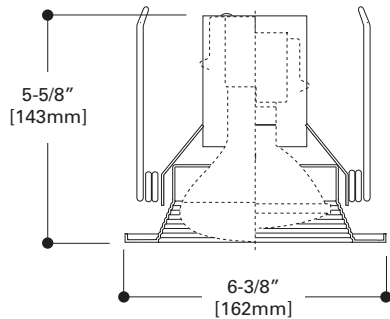
**DESIGN FEATURES**

Torsion springs pull trim tight to ceiling. Straight sided trim ring coordinates with die cast 3" and 4" trims.  
6-3/8" OD. [162mm]

**LAMP LISTINGS**

**H25ICAT** 50W PAR30, 65W BR30, 75W PAR30L

<b>Catalog #</b>		<b>Type</b>
<b>Project</b>		
<b>Comments</b>		<b>Date</b>
<b>Prepared by</b>		



**5014MB**  
White Trim Ring with Black Baffle



**5014P**  
White Trim Ring with White Baffle

**5014**  
Shallow Metal Baffle

H5T-5012 75W PAR30FL 1100 Lumens		H5T-5012 75W R30FL 900 Lumens	
Dia	FC	Work Plane	Dia
3'0"	73	5'6"	6'0"
4'0"	52	6'6"	7'0"
5'0"	34	8'0"	8'0"
6'0"	22	10'0"	10'0"
7'0"	15	12'0"	12'0"

Test No. H36045  
Work Plane is 2 1/2 ft above floor  
Dia of circle is 50% of max footcandles directly under fixture

Trim	Finish
5014=5" Baffle Trim	P=White Trim Ring with White Baffle MB=White Trim Ring with Black Baffle

Note: Specifications and Dimensions subject to change without notice.

Visit our web site at [www.cooperlighting.com](http://www.cooperlighting.com)