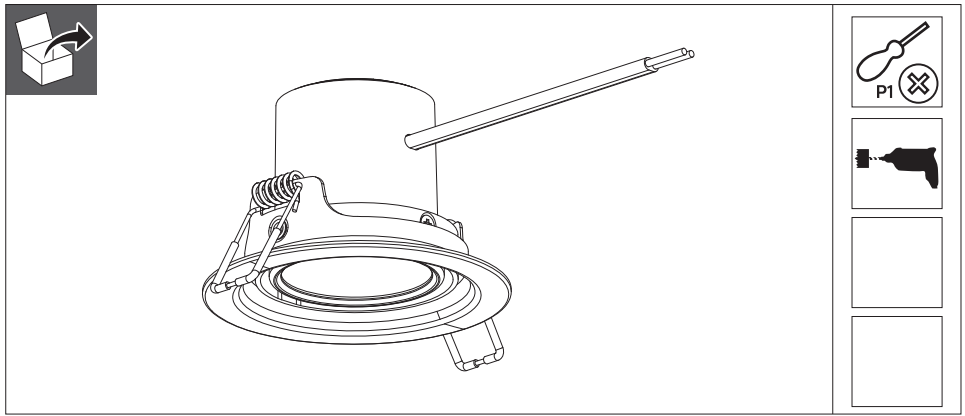


PHILIPS

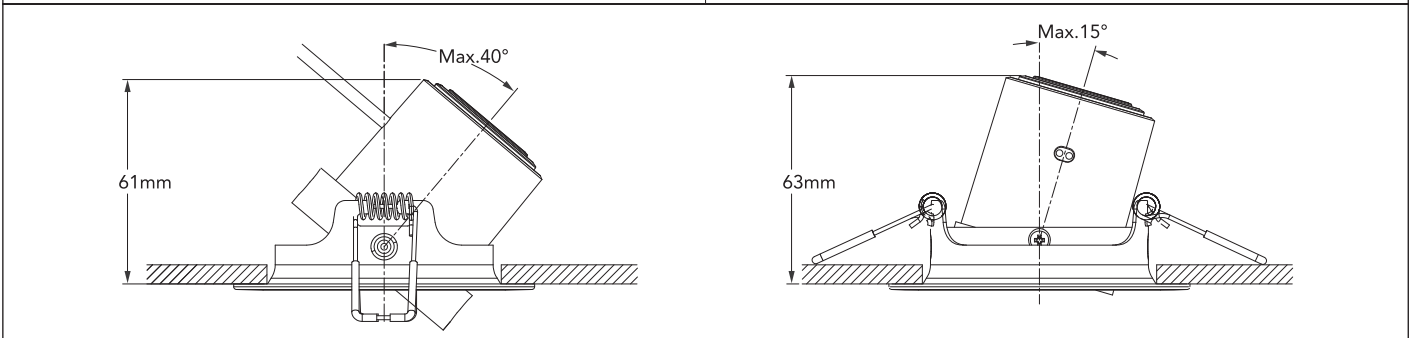
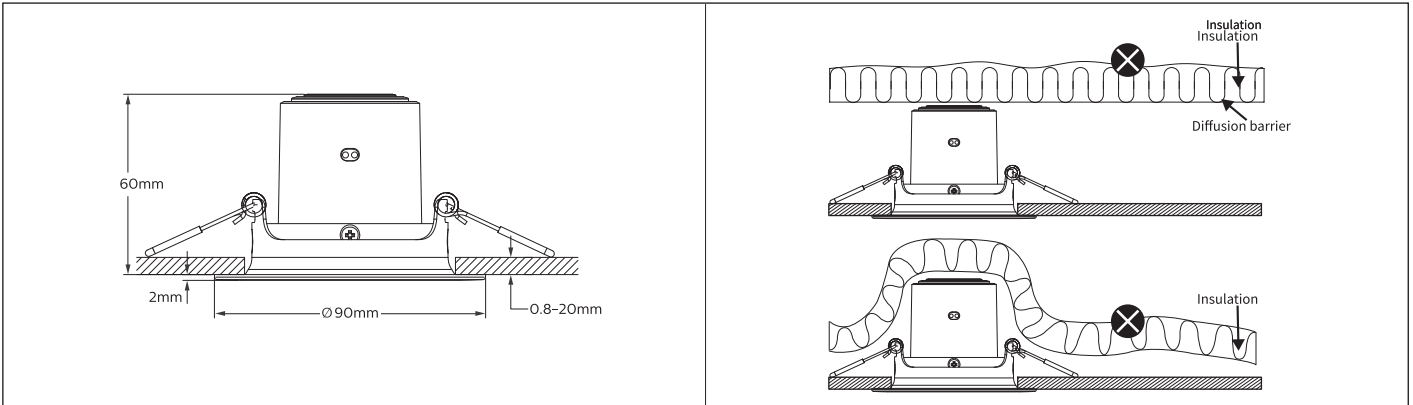
Pomeron Recessed Spotlight

SL252

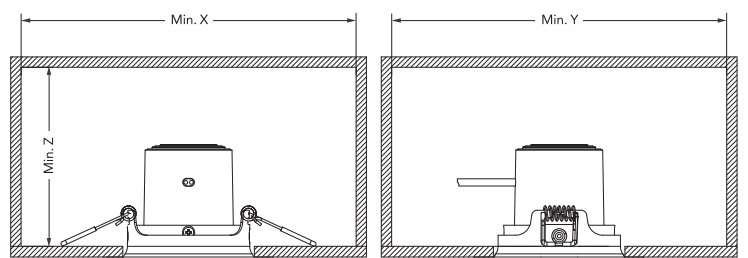


Model	Product Description	Power(W)	CRI(Ra)	CCT(K)	Total Lumen (lm)	Useful lumen (lm)	Energy efficiency class of light source	Beam angle	Dimension AxB,C(mm)	Cut-Out D(mm)	Weight (kg)
9150058083	59554POMERON DIM 070 3W 27K EU recessed	3	80	2700	200	180	F	30°	φ90*62	φ70-80	0.105
9290041145	POMERON SL252 STEP DIM 070 3W 27K BK										
9150058084	59554POMERON DIM 070 3W 40K EU recessed										
9290041146	POMERON SL252 STEP DIM 070 3W 40K BK	5	80	2700	330	290	F	30°	φ90*62	φ70-80	0.114
9150058085	59555POMERON DIM 070 5W 27K EU recessed										
9290041147	POMERON SL252 STEP DIM 070 5W 27K BK										
9150058086	59555POMERON DIM 070 5W 40K EU recessed	7	80	2700	420	380	F	30°	φ90*62	φ70-80	0.114
9290041148	POMERON SL252 STEP DIM 070 5W 40K BK										
9150058087	59556POMERON DIM 070 7W 27K EU recessed										
9290041149	POMERON SL252 STEP DIM 070 7W 27K BK	7	80	4000	210	190	F	30°	φ90*62	φ70-80	0.105
9150058088	59556POMERON DIM 070 7W 40K EU recessed										
9290041150	POMERON SL252 STEP DIM 070 7W 40K BK										

Dimensions



Model name	Min.X(mm)	Min.Y(mm)	Min.Z(mm)
9150058083	180	180	100
9150058084			
9150058085			
9150058086			
9150058087			
9150058088			
9290041145			
9290041146			
9290041147			
9290041148			
9290041149			
9290041150			



Installation

1

Ø70-80mm

OFF

Luminaire cable :
2x0.75 mm²

L -Brown
N -Blue

Connect the luminaire to the power supply cable with a terminal box (Not provided in package)

2

Inrush current

Inrush current

	9150058083 9150058084 9290041145 9290041146	9150058085 9150058086 9290041147 9290041148	9150058087 9150058088 9290041149 9290041150
Electrical characteristic			
I _{max} (A)	3.3	3.1	3.1
T _{ref} (μs)	210	160	190
MCB	Luminaires Max.(pcs)		
Type B-10A	125	191	191
Type B-16A	201	307	307
Type C-10A	210	320	320
Type C-16A	337	514	514

Step dimming operation

- 01 Please read this manual before you start to install the luminaire.
- 02 The luminaire shall be installed by a qualified electrician and wired in accordance with the latest IEE electrical regulations of the national requirements.
- 03 Switch OFF the power supply before the installation or maintenance to avoid electrical shock.
- 04 The luminaire must not be used or stored in corrosive environment where hazardous materials such as Sulphur, Chlorine, Phthalates, etc., are present.
- 05 Terminal block not included. Installation must be performed by a qualified person.

ATTENTION:
Please find in B manual for all the explanations with numeric reference to the icons respectively in front of these safety instructions.



3241 661 23282

© 2024 Signify Holding
©ignify