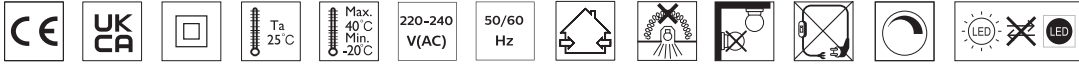
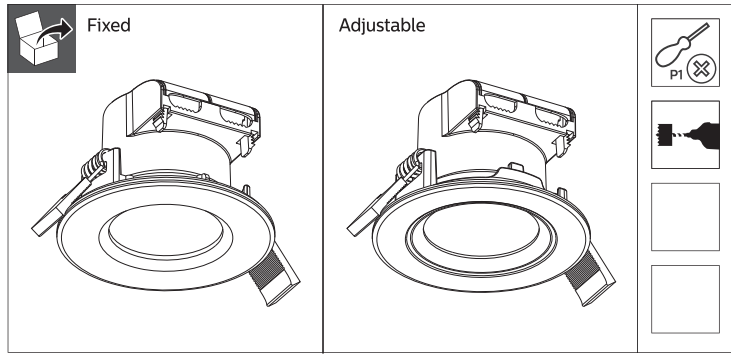


PHILIPS

Sparkle & Dive
Recessed Spotlight

SL261

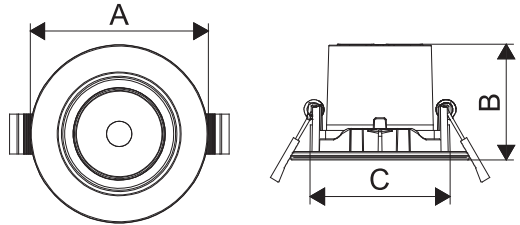


Model Name	Product Description	Power (W)	CRI (Ra)	Total lumen (lm)	CCT (K)	Beam Angle	Energy efficiency class of light source	IP	Dimension AxB, C (mm)	Cut Out D (mm)	kg	
9290023738	SPARKLE SL261 RD 070 5W 27K W HV L	5W	80	350lm	2700K	36	F	20	φ85*55*67	φ70-72	0.118	
9290023739	SPARKLE SL261 RD 070 5W 27K N HV L							20				0.118
9290041151	SPARKLE SL261 RD 070 5W 27K BK LENS							20				0.118
9290023740	DIVE SL261 RD 070 5W 27K W HV IP65L							20 Front 65				0.114
9290023741	DIVE SL261 RD 070 5W 27K N HV IP65L							20 Front 65				0.114
9290025271	DIVE SL261 RD 070 5W 27K C HV IP65L							20 Front 65				0.114
9290023742	SPARKLE SL261 RD 070 5.5W 27K W HV R							20				0.118
9290023743	SPARKLE SL261 RD 070 5.5W 27K N HV R							20				0.118
9290041152	SPARKLE SL261 RD 070 5.5W 27K BK REF							20				0.118
9290023744	DIVE SL261 RD 070 5.5W 27K W HV IP65R							20 Front 65				0.114
9290023745	DIVE SL261 RD 070 5.5W 27K N HV IP65R	20 Front 65	0.114									
9290025272	DIVE SL261 RD 070 5.5W 27K C HV IP65R	20 Front 65	0.114									
9290026803	DIVE SL261 RD 070 5.5W 27K BL IP65R	20 Front 65	0.114									

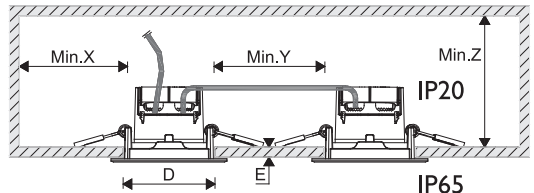
Dimensions

Unit:mm

Product	A	B	C
SL261	φ85	55	67



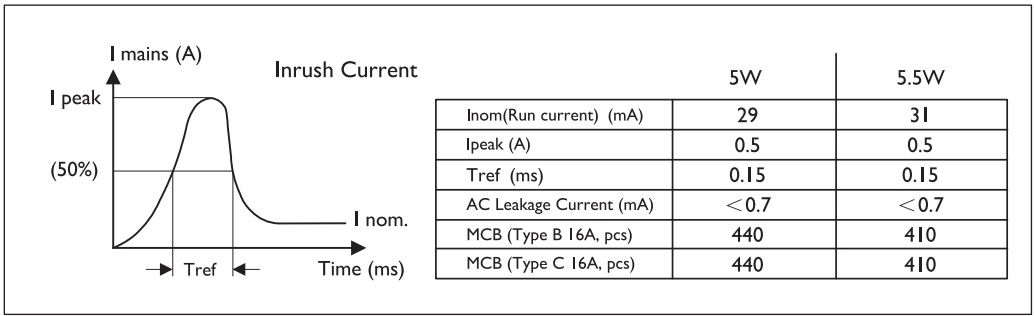
Product	D(mm)	E(mm)	X(mm)	Y(mm)	Z(mm)
SL261	φ70-72	I-15	50	50	70



Unit:mm

Installation

<p>1</p>	<p>2</p>	<p>3</p> <p>0.75-1.5 mm²</p>
<p>4</p>	<p>5</p>	<p>6</p>
<p>7</p>	<p>8</p> <p>IP20 SPARKLE</p>	
<p>9</p> <p>IP20</p> <p>IP65</p>	<p>1</p>	
<p>10</p>	<p>2</p>	
<p>3</p>	<p>4</p>	



Recommended Max. number of inter-connected

Model Name	Power	Cross section area 0.75mm ²	Cross section area 1.0mm ²	Cross section area 1.5mm ²
9290023738	5W	35	35	35
9290023739				
9290041151				
9290023740				
9290023741				
9290025271				
9290023742	5.5W	33	33	33
9290041152				
9290023743				
9290023744				
9290023745				
9290025272				
9290026803				

Recommended Dimmer List

Luminaire Power	Brand	Model	Max. fitting per dimmer
5W	Busch Jaeger ABB	2250 U	20
	Busch Jaeger ABB	6523 U	20
	Busch Jaeger ABB	6526 U	20
	Busch Jaeger ABB	6523 U-102	20
	ELKO Schneider	SBD200LED (CCTEL10501)	16
	ELKO Schneider	SBD315RC (315 GLE)	13
	Eltako	EVD6INPN-UC	16
	Eltako	EUD6INPL-230V	20
	Merten Schneider	SBD315RC (MEG5136-0000)	13
	MK - Electric	K1501 WHILV	20
	MK - Electric	K4501 WHILV	7
5.5W	Schneider	SBD315RC (SBD 315,SDD 315,ATD315,CCT011533)	13
	Busch Jaeger ABB	2250 U	20
	Busch Jaeger ABB	6523 U	18
	Busch Jaeger ABB	6526 U	18
	Busch Jaeger ABB	6523 U-102	18
	ELKO Schneider	SBD200LED (CCTEL10501)	11
	ELKO Schneider	SBD315RC (315 GLE)	15
	Eltako	EVD6INPN-UC	20
	Eltako	EUD6INPL-230V	20
	Merten Schneider	SBD315RC (MEG5136-0000)	11
	MK - Electric	K1501 WHILV	18
MK - Electric	K4501 WHILV	7	
Schneider	SBD315RC (SBD 315,SDD 315,ATD315,CCT011533)	11	



ATTENTION
OBSERVE PRECAUTIONS
FOR HANDLING
ELECTROSTATIC
SENSITIVE
DEVICES

- Please read this manual before you start to install the luminaire.
- The luminaire shall be installed by a qualified electrician and wired in accordance with the latest IEE electrical regulations of the national requirements.
- Switch OFF the power supply before the installation or maintenance to avoid electrical shock.
- The luminaire must not be used or stored in corrosive environment where hazardous materials such as Sulphur, Chlorine, Phthalates, etc., are present.

ATTENTION: In B manual, you will find all the explanations with numeric reference to the icons respectively in front of these safety instructions.



3241 661 23291

© 2023 Signify Holding
Signify

Philips and the Philips Shield Emblem are registered trademarks of Koninklijke Philips N.V. and are used under license