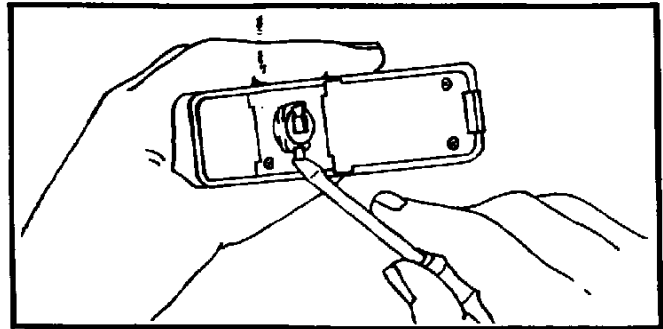


HALO

INSTALLATION INSTRUCTIONS FOR HALO-2 SERIES L2001 12V POWER SUPPLY FOR USE WITH HALO TRACK SYSTEMS ONLY

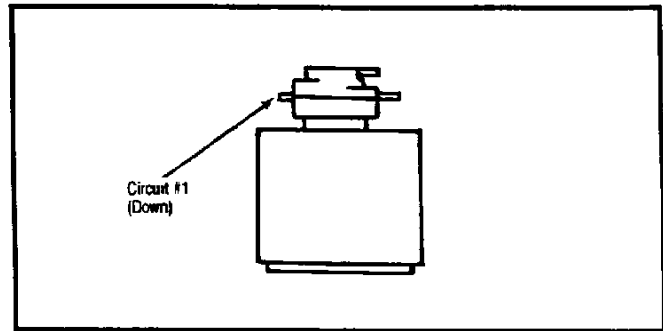
To Adjust Halo-2 Series L2001 12V Power Supply

Halo-2 L2001 Power Supply can be used with Halo Miniature or Halo-2 Power-Trac systems. An adjustable contact allows you to select the circuit position. Use a narrow blade screwdriver, as shown, to adjust the contact. Lift or lower the contact until it touches the plastic stop of contact assembly. For Circuit #1 move contact to the down position. For Circuit #2 move contact to the up position.



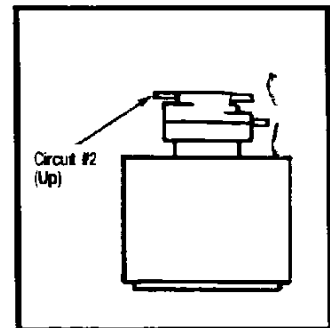
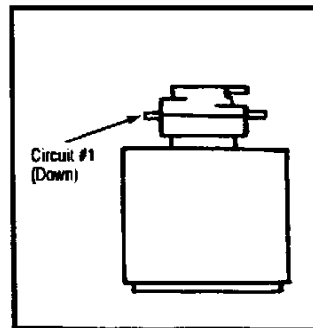
To Use Halo-2 L2001 12V Power Supply with Miniature Power-Trac

When using Halo-2 L2001 with the Miniature Power-Trac System (L650, L651, L652, L653) adjustable contact must be in Circuit #1 (DOWN) position.



To Use Halo-2 L2001 12V Power Supply with Halo-2 Power-Trac

When using Halo-2 L2001 with the Halo-2 Power-Trac System (L640, L641, L642, L643) adjust the contact position of each lampholder to the desired circuit — Circuit #1 (DOWN) or Circuit #2 (UP).

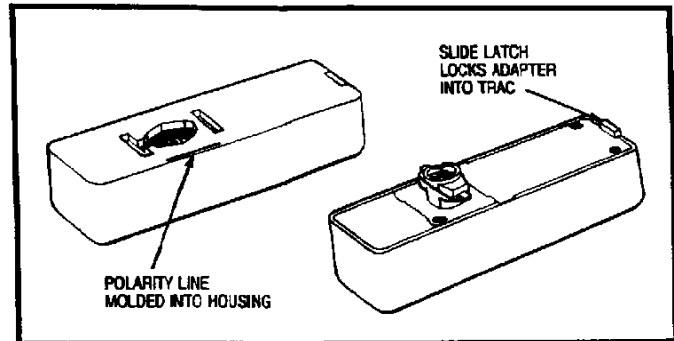


HALO

INSTALLATION INSTRUCTIONS FOR HALO-2 SERIES L2001 12V POWER SUPPLY FOR USE WITH HALO TRACK SYSTEMS ONLY

The L2001 solid state power supply converts 120V 60Hz line sources to a 12V output. It is the necessary component to adapt ONLY Halo 12V fixtures for use with standard 120V Halo single circuit Trac.

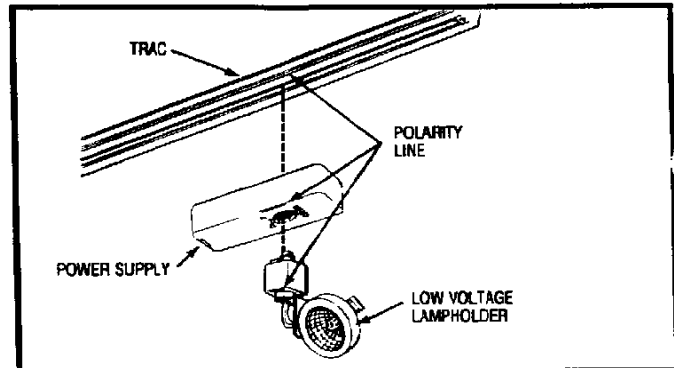
It cannot be used as a dimmer for standard 120V lamps. It will power only Halo fixtures using 12V 50W max. lamps.



L2001 Power Supply Installation Instructions

Step 1. Install L2001 so polarity line on supply will be on the same side as polarity line on Trac.

Step 2. Install lampholder so polarity line on power supply and lampholder align.



CAUTION: Shorting the output will cause an internal fuse to open which will render the power supply useless. Fuse is not resettable or replaceable! No serviceable parts inside. Opening will void warranty.

LOW VOLTAGE CAUTIONS

CAUTION: DIMMING QUARTZ HALOGEN (MR-16) MAY REDUCE LAMP LIFE. LOW VOLTAGE LAMP HOLDERS WITH SOLID-STATE OR MAGNETIC TRANSFORMERS REQUIRE PROPER DIMMING EQUIPMENT. AN IMPROPER DIMMER MAY CAUSE DAMAGE TO THE TRANSFORMER AND SHORTEN LAMP LIFE. CONSULT FACTORY FOR DIMMER RECOMMENDATIONS.

SOME SOUND MAY BE EMITTED BY THE TRANSFORMER AND/OR THE DIMMER IN THE DIMMED MODE.

NOTE: USING THIS DEVICE ON MORE THAN ONE DIMMER CIRCUIT MAY PRODUCE INTERFERENCE BETWEEN DIMMER CIRCUITS. A MAGNETIC INDUCTOR (CHOKER) IS RECOMMENDED TO REDUCE THIS CONDITION.

 **COOPER**
Lighting Solutions

HALO LIGHTING
440 BUSSE ROAD
ELK GROVE VILLAGE, IL 60007

699767

698456

699767