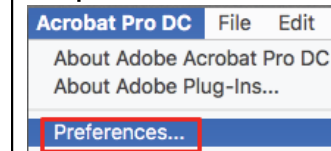


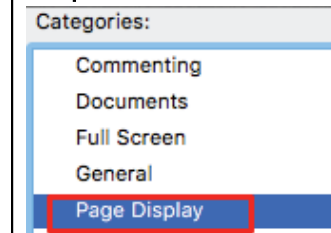
具体内容见以下页面

Acrobat PDF
View Setting
确保PDF显示正确，请按
以下设定叠印预览：

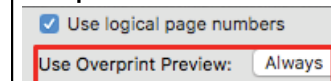
Step 1



Step 2



Step 3



Document Info		Basic Info		Change Info		Author	Date	Change number	Revision description
Code 12NC: 324165581821		Designer: SH SGS	Duplexbox: 324165581821						
		Design date: 2019-10-28	EANI number: N/A			SH SGS	2019/10/28		
Description: QIG for Glass LED HID			Die-Cut: 80g双胶纸, 148x210mm double side print						
			Surface treatment: N/A						
			CRC: CRC000						

Installation Guide

— Philips TrueForce Core LED lamp



Please take the time to read this installation guide. The guide contains important information and notes regarding the installation and operation.

IMPORTANT!

- Always switch off the power supply before commencing work!
- Please read the installation instructions carefully and follow the wiring instructions to ensure safety.
- The product is NOT dimmable.
- The product can be operated on Direct Mains or ElectroMagnetic (EM) gear without ignitor. Ignitor ALWAYS needs to be disconnected from the system.
- Recommended to remove capacitor to improve system power factor.
- The product is not compatible with electronic gear.
- Suitable for use in operating temperature range between -20°C to +45°C.
- Do not change the structure or any components of the product to ensure safety.
- The product is designed to fit in standard IEC compliant E27 lamp holders.
- The product should be installed by qualified professional.
- Perform inspection before installation to ensure the luminaire and lamp holder are in good condition to carry the weight and performance of the product.
- Recommended not to use in open luminaire.
- Please do not apply the product in applications which contains emergency or/and explosive proof luminaires.
- The total system performance may vary depending on the lighting/luminaire system.
- For latest information, please refer to www.philips.com/lighting.
- In case of doubt, please consult Philips representative.
- *outdoor applications require the lamp cap to be protected with suitable lamp socket.

DISCLAIMER:

Signify disclaims liability for any direct, indirect or incidental damages in case of installation performed either not according to this guide or not performed by a professional electrician.

CE **RoHS**
COMPLIANT **IP65***

PHILIPS

size: 80g双胶纸, L×W 148×210mm double side print

SIGNIFY

Brand Philips
Product Family LEDBULB ND
Shape _____
Wattage _____
Template Ref. N/A
SGS number 5900220
12-NC.NBR 324165581821
Masterdrawing 80g148x210mmdoublesideprint
CRC Ref. CRC000

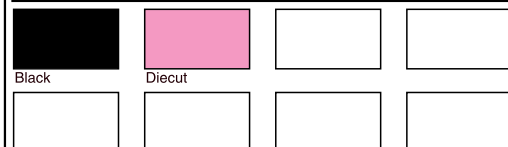
Barcode No. N/A

Operator(s) pollypan

VERSION No. **v1**

Date in 20171110

Date amended 20191025



Date Check _____

Check briefing Traffic

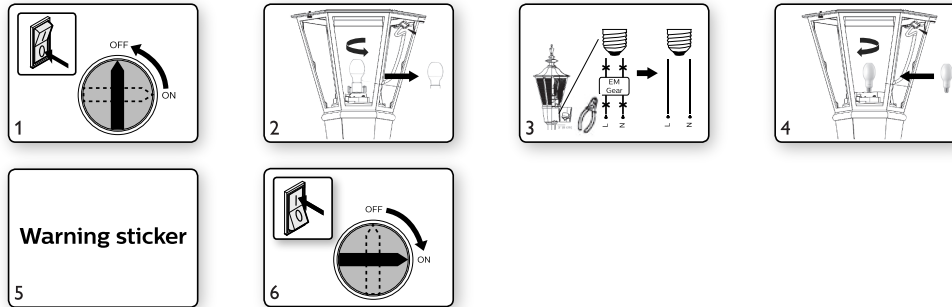
Artwork document

- | | |
|----------------------------------|---|
| <input type="checkbox"/> Legend | <input type="checkbox"/> Number of colors |
| <input type="checkbox"/> 12NC | <input type="checkbox"/> Trapping/Bleed |
| <input type="checkbox"/> Barcode | <input type="checkbox"/> Images hires |
| <input type="checkbox"/> Diecut | <input type="checkbox"/> Jobsizes |

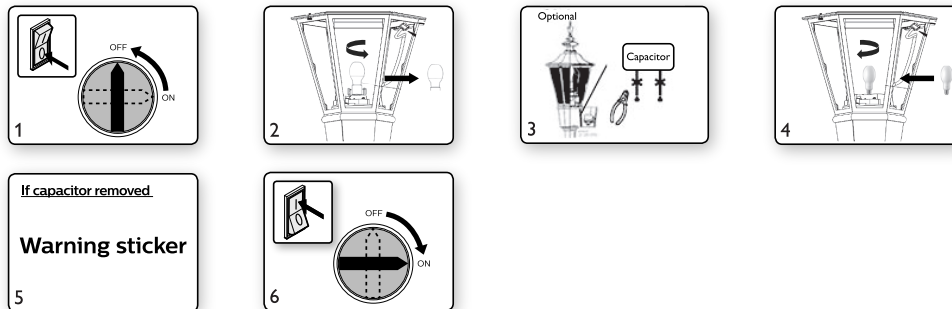
Approval

- QC Lithographer SGS Shanghai Production
 Product Manager jerry.zhang@signify.com
 Traffic Manager Joanna Wu

For replacing HPL/SON/Other Lamps, Convert to Direct Mains (Recommended)

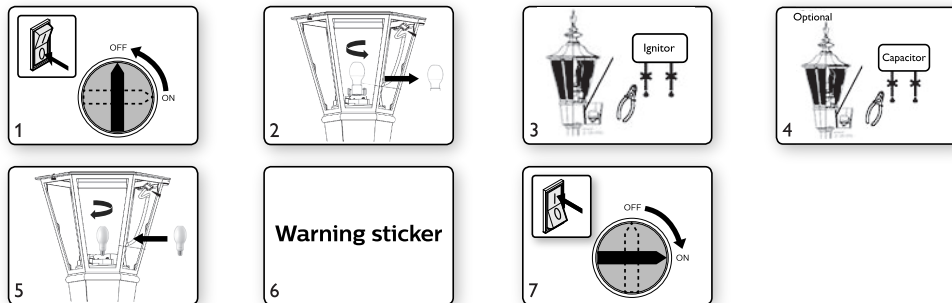


For replacing HPL Lamps and keeping the EM ballast



- After capacitor is removed, open wires should be terminated properly.
- If capacitor remains the power factor might be lower.

For replacing SON Lamps and keeping the EM ballast



- After capacitor/ignitor is removed, open wires should be terminated properly.
- If capacitor remains the power factor might be lower.



© 2019 Signify Holding
 ©ignify

All rights reserved. Reproduction in whole or in part is prohibited without the prior written consent of the copyright owner. The information presented in this document does not form part of any quotation or contract, is believed to be accurate and reliable and may be changed without notice. No liability will be accepted by the publisher for any consequence of its use. Publication thereof does not convey nor imply any license under patent or other industrial or intellectual property rights.

10/2019
www.philips.com/lighting

3241 655 81821

SIGNIFY

Brand Philips
 Product Family LEDBULB ND
 Shape _____
 Wattage _____
 Template Ref. N/A
 SGS number 5900220
 12-NC.NBR 324165581821
 Masterdrawing 80g148x210mmdoublesideprint
 CRC Ref. CRC000

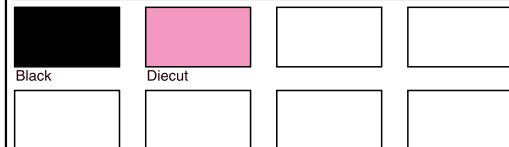
Barcode No. N/A

Operator(s) pollypan

VERSION No. **v1**

Date in 20171110

Date amended 20191025



Date Check _____

Check briefing Traffic

Artwork document

<input type="checkbox"/> Legend	<input type="checkbox"/> Number of colors
<input type="checkbox"/> 12NC	<input type="checkbox"/> Trapping/Bleed
<input type="checkbox"/> Barcode	<input type="checkbox"/> Images hires
<input type="checkbox"/> Diecut	<input type="checkbox"/> Jobsizes

Approval

QC Lithographer SGS Shanghai Production
 Product Manager jerry.zhang@signify.com
 Traffic Manager Joanna Wu