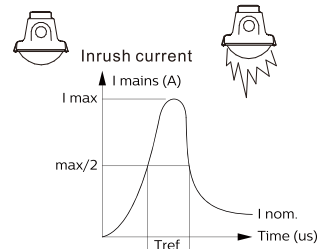


- Do not stare into LED light beam.
- The luminaire shall be installed by a qualified electrician and wired in accordance with the latest IEE electrical regulations or the national requirements.
- The light source contained in this luminaire shall only be replaced by the manufacturer or his service agent or a similar qualified person.
- Above average concentration of sulfur effects the useful lifetime of the product. E.g: Light color changes from white to blue. Typically in chicken & pig farms.
- For use in environments where an accumulation of conductive dust on the luminaire may be expected
- Do not install the luminaire on the location where it is exposed to heavily grease, esp. mineral oil and distillates (petroleum), heavy naphthenic treated with hydrogen.
- This product is not suitable for cold & humid storage areas, especially where obvious temperature gradients are present, such as ventilation opening, door, etc.
- Do not install the luminaire on locations where it is exposed to direct sunlight. UV radiation will damage the material over time resulting in loss of waterproof sealing and IP65 rating.

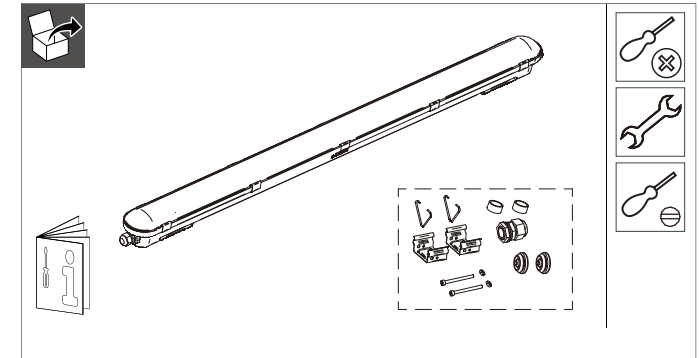


	LED27_45S	LED37_60S
Driver I peak (A)	14.2	14.2
Driver Tref (µs)	222	222
Max. Nr. of connecting products by MCB type		
MCB 16A type B	36	36
MCB 10A type B	22	22
MCB 16A type C	60	60
MCB 10A type C	37	37
Max. Nr. of connecting products by through wire cross-section area		
1.0 mm ²	21	16
1.5 mm ²	32	23
2.5 mm ²	53	39
According to MCB type & through wire cross-section area, choose the minimum number to connect products.		



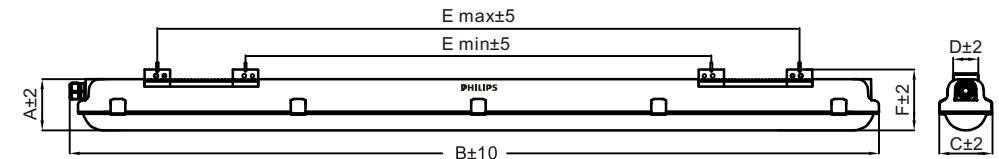
©02/2023 Signify Holding.
All rights reserved. This document contains information relating to the product portfolio of Signify which information may be subject to change. No representation or warranty as to the accuracy or completeness of the information included herein is given and any liability for any action in reliance thereon is disclaimed. The information presented in this document is not intended as any commercial offer and does not form part of any quotation or contract. Philips and the Philips Shield Emblem are registered trademarks of Koninklijke Philips N.V.. All other trademarks are owned by Signify Holding or their respective owners.

Signify Holding,
The Netherlands



Life time table	
L70 100 khrs	2700-4500 lm
L65 100 khrs	6000 lm

Description	System light output(Lm)	Color temperature(K)	Power(W)	Energy Efficiency Class of Light source	
WT120C G2 LED27_45S/840 PSU L1200	2700/4500	4000	18/32	D	1.33
WT120C G2 LED37_60S/840 PSU L1500	3700/6000	4000	25/43	D	1.67



Type	Dimension (mm)							Nr. of clips
	A	B	C	D	E min	E max	F	
WT120C G2 LED27_45S/840 PSU L1200	76	1215	80	38	538	1062	85	10
WT120C G2 LED37_60S/840 PSU L1500		1515			838	1362		12

