

Project		Catalog #		Type	
Prepared by		Notes		Date	



Portfolio

LDRT8B / LDRT810B / LDRT812B-ER8B-8LBSW / 8LBDW

8" - 12" LED Downlight / Wall Wash Retrofit
1,000-20,000 Lumen

Typical Applications

Office • Education • Healthcare • Hospitality

Interactive Menu

- Order Information [page 2](#)
- Product Specifications [page 4](#)
- Energy Data [page 5](#)
- Photometric Data [page 6](#)
- Connected Systems [page 8](#)
- Product Warranty

Product Certification



Product Features



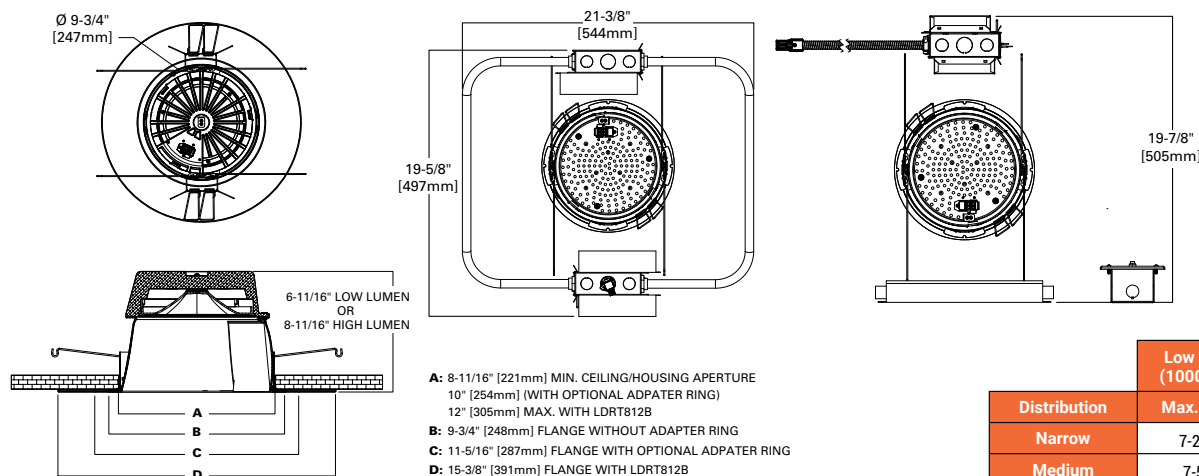
Control Compatibility



Top Product Features

- Retrofits in ceiling openings from 8.7-inch to 12-inch; Flexible disconnect for easy LED engine replacement and installation
- 1,000 to 20,000 lumens; Offered in 80, 90 and 97 CRI; narrow beam, medium beam and wide beam distributions
- Coverts existing 8", 9", 10" and 12" incandescent, HID and compact fluorescent housings to LED
- 2700K, 3000K, 3500K, 4000K, 5000K; D2W™ option from 3000K to 1850K
- W2N tunable white CCT range 2700K to 6500K or 2000K to 5000K

Dimensional and Mounting Details



	Low Lumen (1000-7000)	High Lumen (8000-20000)
Distribution	Max. Height	Max Height
Narrow	7-25/32"	9-3/4"
Medium	7-5/16"	9-9/32"
Wide	6-11/16"	8-11/16"
Shallow	4-26/32"	6-26/32"

Order Information

SAMPLE ORDER NUMBER: **LD8B50D010IEMBOD**

Housing	Lumens	Voltage	Driver Options	
Housing	Lumens ⁽¹⁾	Voltage ⁽⁹⁾	1 Driver	2 and 3 Drivers
<p>LDRT8B=LED downlight retrofit 8" nominal Aperture</p> <p>LDRT8BCP=LED downlight Retrofit 8" Nominal Aperture, Chicago Plenum</p> <p>LDRT810B=LED downlight retrofit 10" nominal Aperture, 11.3 OD</p> <p>LDRT810BCP=LED downlight retrofit 10" nominal Aperture, 11.3 OD, Chicago Plenum</p> <p>LDRT812B=LED Downlight Retrofit 12" Nominal Aperture</p> <p>LDRT812BCP=LED Downlight Retrofit 12" Nominal Aperture, Chicago Plenum</p>	<p>10=1000 lumens</p> <p>15=1500 lumens</p> <p>20=2000 lumens</p> <p>30=3000 lumens</p> <p>40=4000 lumens</p> <p>50=5000 lumens</p> <p>60=6000 lumens⁽⁶⁾</p> <p>70=7000 lumens⁽⁶⁾</p> <p>80=8000 lumens⁽⁶⁾</p> <p>90=9000 lumens⁽⁶⁾</p> <p>100=10000 lumens⁽⁶⁾</p> <p>120=12000 lumens⁽⁶⁾</p> <p>150=15000 lumens⁽⁶⁾</p> <p>175=17500 lumens⁽⁶⁾</p> <p>200=20000 lumens⁽⁶⁾</p>	<p>Blank=120-277 7000 lumen and below.</p> <p>3=347V step down transformer ⁽¹¹⁾</p>	<p>1000-4000 Lumen⁽⁸⁾</p> <p>D010=0-10V Dimming, 1% to 100%</p> <p>D010TR=0-10V 120-277V or 120V Line Voltage Dimming, 1% to 100%</p> <p>DE010=0-10V Linear Dimming, 0% to 100%, 120V-277V</p> <p>D5LT=Fifth Light® DALI DT6 Logarithmic Dimming, 0% to 100%, 120V-277V</p> <p>DMX=DMX/RDM Logarithmic Dimming, 0% to 100%, 120V-277V⁽⁵⁾</p> <p>DMXC5=DMX/RDM Logarithmic Dimming, 0% to 100%, 120V-277V, with RJ45 connection</p> <p>DLE=Lutron Ecosystem dimming 1% to 100%</p> <p>DMXC5=DMX/RDM Logarithmic Dimming 0% to 100% with RJ45 connection</p> <p>1000-3000 Lumen</p> <p>DLV=Low voltage dimming driver (1-100%) for use with DLVP system</p> <p>5000, 6000, and 7000 Lumen⁽¹⁰⁾</p> <p>D010TE=0-10V or Trailing Edge Dimming, 5% to 100%, 120V-277V (120V Only for Trailing Edge Dimming)</p> <p>Tunable white 1000-2000</p> <p>DE010W2N=0-10V dimming, 0% to 100%, 120V</p> <p>D5LTW2N=Fifth Light DALI DT6 Logarithmic Dimming, 0% to 100%</p>	<p>4000 and 6000 Lumen D2W (2 Drivers)</p> <p>6000, 8000 and 9000 Lumen (2 Drivers)</p> <p>9000 Lumen D2W (3 Drivers)</p> <p>12,000 Lumen (3 Drivers)</p> <p>1D010=0-10V, 120V Dimming, 1% to 100%</p> <p>2D010=0-10V, 277V Dimming, 1% to 100%</p> <p>1D010TR=0-10V or 120V Line Voltage Dimming, 1% to 100%</p> <p>2D010TR=0-10V, 277V Dimming, 1% to 100%</p> <p>1DE010=0-10V, 120V Linear Dimming, 0% to 100%</p> <p>2DE010=0-10V, 277V Linear Dimming, 0% to 100%</p> <p>1D5LT=120V Fifth Light® DALI DT6 Logarithmic Dimming, 0% to 100%</p> <p>2D5LT=277V Fifth Light® DALI DT6 Logarithmic Dimming, 0% to 100%</p> <p>1DMX=120V, DMX/RDM Logarithmic Dimming, 0% to 100%⁽⁵⁾</p> <p>2DMX=277V, DMX/RDM Logarithmic Dimming, 0% to 100%⁽⁵⁾</p> <p>1DMXC5=120V, DMX/RDM Logarithmic Dimming 0% to 100% with RJ45 connection</p> <p>2DMXC5=277V, DMX/RDM Logarithmic Dimming 0% to 100% with RJ45 connection</p> <p>1DL2=120V Lutron® Hi-Lume Forward Phase Dimming, 1% to 100%</p> <p>1DLE=120V, Lutron Ecosystem dimming 1% to 100%</p> <p>2DLE=277V, Lutron Ecosystem dimming 1% to 100%</p> <p>10,000, 12,000, 15,000, 17,500, 20,000 Lumen</p> <p>1D010TE=0-10V or Trailing Edge Dimming, 5% to 100%, 120V</p> <p>2D010TE=0-10V, 5% to 100%</p> <p>Tunable white 3000-4000</p> <p>1DE010W2N=0-10V dimming, 0% to 100%, 120V</p> <p>2DE010W2N=0-10V dimming, 0% to 100%, 277V</p> <p>1D5LTW2N=120V, Fifth Light DALI DT6 Logarithmic Dimming, 0% to 100%</p> <p>2D5LTW2N=277V, Fifth Light DALI DT6 Logarithmic Dimming, 0% to 100%</p>
Notes	Notes	Notes	Notes	
	<p>(1) Nominal Lumens will vary depending on selected color, driver and reflector finish.</p> <p>(6) Product is marked spacing and must be installed with the following minimum spacing</p> <ul style="list-style-type: none"> -Center to center of adjacent luminaires: 36" -Center of luminaire to side of building member: 18" -Minimum overhead: 1/2" <p>20,000 Lumens minimum overhead of 6"</p>	<p>(9) For single driver.</p> <p>(11) 347V step down transformer only available up to 7000 Lumens</p>	<p>(5) DMX fixtures default to full on upon loss of DMX signal.</p> <p>(8) For D2W up to 3000 lumens.</p> <p>(10) Not for use with D2W.</p>	

Color Control

Options

Color Control Options ⁽⁷⁾	Options	
<p>Blank=No color control or D2W for 2000 lumens and below</p> <p>D2W=For 4000, 6000 and 9000 dim 2 warm</p> <p>2050=For W2N 2000K - 5000K</p> <p>2765= For W2N 2700K - 6500K</p>	<p>WPST=Factory installed WaveLinX Sensor Kit ⁽²⁾ ⁽³⁾ ⁽¹³⁾</p> <p>WLST=Factory installed WaveLinX LITE Sensor Kit ⁽²⁾ ⁽³⁾ ⁽¹⁴⁾</p> <p>WPN = WaveLinX PRO Wireless Node without sensor⁽¹⁵⁾</p>	<p>EMBOD=Bodine® Emergency Module with Remote Test Switch⁽⁹⁾</p> <p>EMBOD7ST =Bodine® Emergency Module with Self Test Remote Test Switch⁽⁹⁾</p> <p>EM7=7W Emergency Module with Remote Test Switch⁽⁹⁾⁽⁴⁾</p> <p>EM14=14W Emergency Module with Remote Test Switch⁽⁹⁾⁽⁴⁾</p>
Notes	Notes	
<p>(7) Field required for D2W 4000, 6000 and 9000 lumen only.</p>	<p>(2) Refer to system specifications for additional information, features and benefits. Order either factory installed option or accessory, use with 0-10V driver.</p> <p>(3) Not available with Chicago Plenum or IC rating.</p> <p>(4) ULus listed only.</p> <p>(13) WPST = WaveLinX wireless sensor kit for daylight dimming, PIR motion sensing, and optional RLTS - Real Time Location Services, use with 0-10V only.</p> <p>(14) WLST = WaveLinX LITE tile mount sensor kit for daylight dimming, PIR motion sensing, use with D010 only (Refer to WaveLinX LITE system specifications)</p> <p>(15) WPN = WaveLinX PRO wireless node provides luminaire-level control with scene and zone configuration without an integrated sensor; Connects wirelessly with daylight dimming sensor and PIR motion sensor if desired. Use with 0-10V driver only.</p>	

Order Information

SAMPLE ORDER NUMBER: **ER8B30408035**

Power Module	Lumen Levels	Color	
ER8B=8" LED Module	1 Driver 1020=1000, 1500, or 2000 Lumens 3040=3000 or 4000 Lumens 5070=5000, 6000, or 7000 lumens 2 Drivers 60=6000 lumens, 2 LEDs 80120=8000, 9000, 10000, or 12000 lumens 3 Drivers 120=12000 lumens, 3 LEDs 150200=15000, 17500 or 20000 lumens	80 CRI 8027= 80CRI, 2700K 8030= 80CRI, 3000K 8035= 80CRI, 3500K 8040= 80CRI, 4000K 8050= 80CRI, 5000K Dim 2 Warm 1 Driver 109030D2W=1000 Lumen, 90 CRI, Dim 2 Warm, IC Rated 159030D2W=1500 Lumen, 90 CRI, Dim 2 Warm, IC Rated 209030D2W=2000 Lumen, 90 CRI, Dim 2 Warm, IC Rated 309030D2W=3000 Lumen, 90 CRI, Dim 2 Warm Dim 2 Warm 2 Drivers 409030D2W=4000 Lumen, 90 CRI, Dim 2 Warm 609030D2W=6000 Lumen, 90 CRI, Dim 2 Warm Dim 2 Warm 3 Drivers 909030D2W=9000 Lumen, 90 CRI, Dim 2 Warm	90 CRI 9027= 90CRI, 2700K 9030= 90CRI, 3000K 9035= 90CRI, 3500K 9040= 90CRI, 4000K 9050= 90CRI, 5000K 97 CRI 9727= 97CRI, 2700K 9730= 97CRI, 3000K W2N Tunable White 1 Driver⁽¹²⁾ 10W2N902050=1000 lumens, 90 CRI, Tunable white 2000K - 5000K 10W2N902765=1000 lumens, 90 CRI, Tunable white 2700K - 6500K 15W2N902050=1500 lumens, 90 CRI, Tunable white 2000K - 5000K 15W2N902765=1500 lumens, 90 CRI, Tunable white 2700K - 6500K 20W2N902050=2000 lumens, 90 CRI, Tunable white 2000K - 5000K 20W2N902765=2000 lumens, 90 CRI, Tunable white 2700K - 6500K W2N Tunable White 2 Drivers 30W2N902050=3000 lumens, 90 CRI, Tunable white 2000K - 5000K 30W2N902765=3000 lumens, 90 CRI, Tunable white 2700K - 6500K 40W2N902050=4000 lumens, 90 CRI, Tunable white 2000K - 5000K 40W2N902765=4000 lumens, 90 CRI, Tunable white 2700K - 6500K
	Notes (1) Nominal Lumens will vary depending on selected color, driver and reflector finish.	Notes (12) Non-IC.	

SAMPLE ORDER NUMBER: **8LBM1LI**

Trim	Distribution	Flange	Finish
8LB=8" Reflector	SW =Single Wall Wash, Spun Aluminum DW =Double Wall Wash, Spun Aluminum	0 =White Polymer Trim Ring 1 =Self-flanged (Flange will be same finish as reflector) 2 =White Painted Self-flanged	L =Specular Clear H =Semi-Specular Clear WMH =Warm Haze WH =Wheat GPH =Graphite Haze B =Specular Black MW =Matte White
Notes	Notes	Notes	Notes

Accessories

Accessories
Transformers H347=347 to 120V Step Down Transformer, 75VA H347200=347 to 120V Step Down Transformer, 200VA Connected Lighting Systems⁽²⁾ WPST = Field installed WaveLinX sensor Kit ⁽¹³⁾ WLST = Field installed WaveLinX LITE Sensor Kit ⁽¹⁴⁾
Notes (2) Refer to system specifications for additional information, features and benefits. Order either factory installed option or accessory, use with 0-10V driver. (13) WPST = WaveLinX wireless sensor kit for daylight dimming, PIR motion sensing, and optional RLTS - Real Time Location Services, use with 0-10V only. (14) WLST = WaveLinX LITE tile mount sensor kit for daylight dimming, PIR motion sensing, use with D010 only (Refer to WaveLinX LITE system specifications)

Product Specifications

Lower Shielding Reflector

- Self-flanged, spun .060" thick aluminum lower reflector
- Lensed upper optical chamber
- Provides superior lumen output with minimal source brightness
- Available in all Portfolio Alzak® finishes

Trim Retention

- Two torsion springs hold lower reflector flange tightly to the finished ceiling surface

Retrofit Ring

- Galvanized steel ring installs with four mouse trap springs for secure installation
- Accommodates up to 2" ceiling thickness
- Installs in ceiling openings from 8.7" to 10" with optional adapter ring
- Pre-wired flexible conduit with snap in connector installs into 1/2" knockout on the existing junction box

Thermal

- Aluminum heat sink conducts heat away from the LED module for improved performance and longer life

LED System

- Contains a plurality of high brightness white LED's combined with a high reflectance upper reflector and transitional lens producing even distribution with no pixilation
- Lumen output shall not decrease by more than 10% over the minimum life of 55,000 hours (L90 > 55,000 hours)
- Color variation within 2-step MacAdam ellipses
- Flexible disconnect allows for tool-less replacement of LED engine from below ceiling
- 2700K, 3000K, 3500K, 4000K and 5000K correlated color temperature (CCT)
- Available in 80, 90 or 97 color rendering index (CRI)

VividTune™ Color Tuning Solutions

- D2W™ – Dim-to-Warm shifts CCT from 3000K to 1850K as fixture dims, mimicking halogen sources
- W2N – Tunable white CCT range from 2700K to 6500K or 2000K to 5000K; 90 CRI

Driver

- Combination 0-10V/trailing edge driver provides flicker free dimming from 100% to 10%
- Optional 1% 0-10V, Fifth Light, DMX or Lutron® Ecosystem
- Driver can be serviced from above or through the aperture
- 1,000-7,000 lumens utilize one driver; 8,000-12,000 lumens utilize two drivers; 15,000-20,000 lumens utilize three drivers; reference ordering information for other variations
- Distributed low voltage power system combines power, lighting, and controls with ease of installation.

Connected Lighting System Options

Two WaveLinX connected systems to choose from. Refer to WaveLinX system specifications and application guides for details.

WaveLinX Wireless System Tilemount Sensor Kit

- WaveLinX Wireless WPST tile mount sensor kit offers daylight dimming, PIR motion sensing, scene and zone configuration, automatic commissioning; and optional RLTS - Real Time Location Services available.

WaveLinX LITE System Tilemount Sensor Kit

- WaveLinX LITE WLST tile mount sensor kit offers daylight dimming and PIR motion sensing, scene and grouping configuration.

WaveLinX Tilemount Kits Application

- The WPST and WLST tilemount kits include a control module mounted on the luminaire junction box via 1/2" knock-out, and a tilemount sensor on 54-inch whip; for ceiling installation by direct-mount spring clips or via mounting bracket in octagon ceiling boxes.

- The WPST and WLST tilemount kits may be ordered as factory installed on the luminaire, or ordered separately as a field installed accessory kit.

Compliance

- Thermally protected
- cULus Listed for damp locations with covered ceilings
- Optional City of Chicago environmental air (CCEA) marking for plenum applications
- EMI/RFI emissions per FCC 47CFR Part 18 Class B consumer limits
- IC rated up to 3000 Lumens
- 4000 lumens and above are non-IC rated
- RoHS compliant
- Photometric testing completed in accordance with IES LM-79 standards
- Lumen maintenance projections in accordance with IES LM-80-08 and TM-21-11
- 6,000 lumens and above are marked spacing and must follow spacing requirements

Warranty

- Five-year warranty

Housing Compatibility

Manufr.	Series	Nom. Size	Housing Aperture	Housing Catalog #	Ceiling Aperture	Retrofit Kit
Cooper	Portfolio	8	8.730	C8	8.73" MIN 9" MAX	LDRT8B
Philips	Lightolier CalcuLITE	8	8.750	S8		
Philips	Capri	8	8.875	CM8		
Cooper	PDS	8	8.875	PD8		
Juno		9	8.938	C9H		
Juno	Indy Performance Series (Elate)	9	9.000	C9 and M9	8.73" MIN 10.3" MAX	LDRT810B
Philips	Capri	10	9.625	CM10		
Philips	Omega	10	9.813	OM10 and S10		
Juno	Indy Performance Series (Elate)	10	9.875	M10		
Cooper	Portfolio	9	10.000	C9		
Lithonia	Gotham	10	10.125	GRSF		
Lithonia	Gotham	10	10.125	AF, LGF, LGH, AH, A		
Lithonia	Gotham	10	10.250	GRSH		

Color Metric Summary

8027		8030		8035		8040		8050		9027	
R _f	93.2	R _f	83.4	R _f	83.7	R _f	83.3	R _f	82.5	R _f	92
R _g	94.1	R _g	94.4	R _g	94.8	R _g	94	R _g	94.3	R _g	98.4
CRI	81.3	CRI	82.4	CRI	83.1	CRI	83.7	CRI	94.2	CRI	93.4
R ₉	0.7	R ₉	4.5	R ₉	9.1	R ₉	9.9	R ₉	11.9	R ₉	59.3

9030		9035		9040		9050		9727		9730	
R _f	91.6	R _f	90.9	R _f	89.4	R _f	88.4	R _f	95	R _f	94.2
R _g	98.6	R _g	98.3	R _g	96.6	R _g	96.8	R _g	100.1	R _g	99.6
CRI	93.2	CRI	93.3	CRI	91.8	CRI	91	CRI	98	CRI	98.5
R ₉	60.2	R ₉	63.1	R ₉	58	R ₉	55.2	R ₉	93.9	R ₉	94.7

Energy

ENERGY DATA	
Sound Rating: Class A standards	
(Values at non-dimming line voltage)	
Minimum Starting Temperature: -20°C (-4°F)	
EMI/RFI: FCC Title 47 CFR, Part 15, Class B (Consumer)	
Power Factor: >0.90	
Input Frequency: 50/60Hz	

1000 Lumen D010	
Input Power: 11W	THD <14%
Input Current: 0.09A	277V Input Current: 0.04A

1500 Lumen D010	
Input Power: 15.5W	THD <13%
Input Current: 0.13A	277V Input Current: 0.06A

2000 Lumen D010	
Input Power: 21.2 W	THD <9%
Input Current: 0.18A	277V Input Current: 0.08A

3000 Lumen D010	
Input Power: 27.6 W	THD <10%
Input Current: 0.23A	277V Input Current: 0.10A

4000 Lumen D010	
Input Power: 41.6 W	THD <13%
Input Current: 0.35A	277V Input Current: 0.15A

5000 Lumen D010TE	
Input Power: 52.5 W	THD <12%
Input Current: 0.44A	277V Input Current: 0.19A

6000 Lumen D010TE	
Input Power: 59.7W	THD <14%
Input Current: 0.50A	277V Input Current: 0.22A

7000 Lumen D010TE	
Input Power: 75.8 W	THD <13%
Input Current: 0.64A	277V Input Current: 0.29A

8000 Lumen D010	
Input Power: 73.8 W	THD <13%
Input Current: 0.62A	277V Input Current: 0.26A

9000 Lumen D010	
Input Power: 86.9 W	THD <13%
Input Current: 0.72A	277V Input Current: 0.32A

10000 Lumen D010TE	
Input Power: 115.4 W	THD <13%
Input Current: 0.96A	277V Input Current: 0.42A

12000 Lumen D010TE	
Input Power: 119.4 W	THD <13%
Input Current: 1.0A	277V Input Current: 0.43A

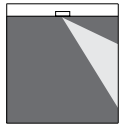
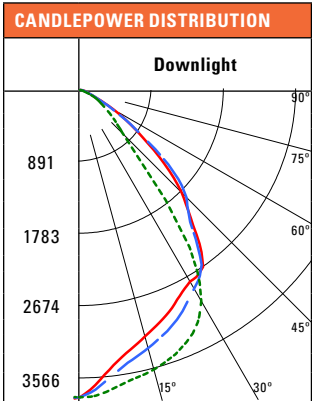
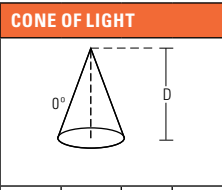
15000 Lumen D010TE	
Input Power: 173.7 W	THD <13%
Input Current: 1.45A	277V Input Current: 0.63A

17500 Lumen D010TE	
Input Power: 179.1 W	THD <13%
Input Current: 1.49A	277V Input Current: 0.65A

20000 Lumen D010TE	
Input Power: 227.4 W	THD <13%
Input Current: 1.9A	277V Input Current: 0.82A

Photometric Data

[View IES files](#)

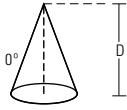
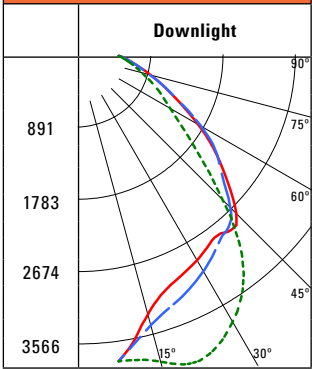
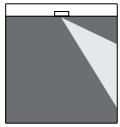
WALL WASH	CANDLEPOWER DISTRIBUTION	CONE OF LIGHT	CANDELA TABLE	ZONAL LUMEN SUMMARY	LUMINANCE																																																																																	
Test Number Housing LD8B50D010 Module ER8B50835 Trim 8LBSW0H Lumens 5506 Efficacy 103.9 Lm/W SC 1.15 		 <table border="1"> <thead> <tr> <th>MH</th> <th>FC</th> <th>L</th> <th>W</th> </tr> </thead> <tbody> <tr> <td>4'</td> <td>223.7</td> <td>4.4</td> <td>4.6</td> </tr> <tr> <td>7'</td> <td>73</td> <td>7.7</td> <td>8</td> </tr> <tr> <td>9'</td> <td>44.2</td> <td>10</td> <td>10.4</td> </tr> <tr> <td>13'</td> <td>21.2</td> <td>14.4</td> <td>15</td> </tr> <tr> <td>16'</td> <td>14</td> <td>17.8</td> <td>18.6</td> </tr> </tbody> </table>	MH	FC	L	W	4'	223.7	4.4	4.6	7'	73	7.7	8	9'	44.2	10	10.4	13'	21.2	14.4	15	16'	14	17.8	18.6	<table border="1"> <thead> <tr> <th>Degrees Vertical</th> <th>Candela</th> </tr> </thead> <tbody> <tr><td>0</td><td>3522</td></tr> <tr><td>5</td><td>3275</td></tr> <tr><td>15</td><td>2918</td></tr> <tr><td>25</td><td>2652</td></tr> <tr><td>35</td><td>2473</td></tr> <tr><td>45</td><td>1652</td></tr> <tr><td>55</td><td>758</td></tr> <tr><td>65</td><td>193</td></tr> <tr><td>75</td><td>72</td></tr> <tr><td>85</td><td>29</td></tr> <tr><td>90</td><td>0</td></tr> </tbody> </table>	Degrees Vertical	Candela	0	3522	5	3275	15	2918	25	2652	35	2473	45	1652	55	758	65	193	75	72	85	29	90	0	<table border="1"> <thead> <tr> <th>Zone</th> <th>Lumens</th> <th>% Fixture</th> </tr> </thead> <tbody> <tr><td>0-30</td><td>2618</td><td>47.5</td></tr> <tr><td>0-40</td><td>3983</td><td>72.3</td></tr> <tr><td>0-60</td><td>5260</td><td>95.5</td></tr> <tr><td>0-90</td><td>5506</td><td>100</td></tr> <tr><td>90-180</td><td>0</td><td>0</td></tr> <tr><td>0-180</td><td>5506</td><td>100</td></tr> </tbody> </table>	Zone	Lumens	% Fixture	0-30	2618	47.5	0-40	3983	72.3	0-60	5260	95.5	0-90	5506	100	90-180	0	0	0-180	5506	100	<table border="1"> <thead> <tr> <th>Average Candela Degrees</th> <th>Average 0° Luminance</th> </tr> </thead> <tbody> <tr><td>45</td><td>72047</td></tr> <tr><td>55</td><td>40773</td></tr> <tr><td>65</td><td>14097</td></tr> <tr><td>75</td><td>8638</td></tr> <tr><td>85</td><td>10260</td></tr> </tbody> </table>	Average Candela Degrees	Average 0° Luminance	45	72047	55	40773	65	14097	75	8638	85	10260
MH	FC	L	W																																																																																			
4'	223.7	4.4	4.6																																																																																			
7'	73	7.7	8																																																																																			
9'	44.2	10	10.4																																																																																			
13'	21.2	14.4	15																																																																																			
16'	14	17.8	18.6																																																																																			
Degrees Vertical	Candela																																																																																					
0	3522																																																																																					
5	3275																																																																																					
15	2918																																																																																					
25	2652																																																																																					
35	2473																																																																																					
45	1652																																																																																					
55	758																																																																																					
65	193																																																																																					
75	72																																																																																					
85	29																																																																																					
90	0																																																																																					
Zone	Lumens	% Fixture																																																																																				
0-30	2618	47.5																																																																																				
0-40	3983	72.3																																																																																				
0-60	5260	95.5																																																																																				
0-90	5506	100																																																																																				
90-180	0	0																																																																																				
0-180	5506	100																																																																																				
Average Candela Degrees	Average 0° Luminance																																																																																					
45	72047																																																																																					
55	40773																																																																																					
65	14097																																																																																					
75	8638																																																																																					
85	10260																																																																																					

Single Unit Footcandles 2.5" from wall (distance from fixture along wall)				
DD	•	1'	2'	3'
1'	8.9	7.2	4.3	2.2
2'	43.2	31.7	15.5	6
3'	64.9	56.2	35.5	17.3
4'	56.1	49.7	37	24.6
5'	38.3	36.7	31	20.8
6'	25.9	25	22.6	18.3
7'	18.4	17.8	16.4	14.2
8'	13.4	13.1	12.3	10.9
9'	9.9	9.8	9.3	8.5
10'	7.6	7.5	7.2	6.7

Multiple Unit Footcandles 2.5" from wall (spacing between fixtures)					
•	-- 3' --	•	•	-- 4' --	•
18.7	16.4	18.7	17.3	11	17.3
89.2	78.9	89.2	83.6	49.7	83.6
107.6	121.6	107.6	93.5	96	93.5
83.7	98.8	83.7	70.8	80.3	70.8
57.6	66.8	57.6	47.6	61.1	47.6
41.9	45.5	41.9	35.2	42.4	35.2
30	32.1	30	27	30.5	27
22	23.2	22	20.4	22.3	20.4
16.5	17.2	16.5	15.5	16.7	15.5
12.6	13.1	12.6	12	12.8	12

Photometric Data

[View IES files](#)

WALL WASH		CANDLEPOWER DISTRIBUTION		CONE OF LIGHT		CANDELA TABLE		ZONAL LUMEN SUMMARY			LUMINANCE	
Test Number		Downlight				Degrees Vertical	Candela	Zone	Lumens	% Fixture	Average Candela Degrees	Average 0° Luminance
Housing	LD8B50D010					0	3802	0-30	2863	49.2	45	75801
Module	ER8B50835					5	3360	0-40	4327	74.3	55	41515
Trim	8LBSW0LI					15	2871	0-60	5686	97.7	65	13192
Lumens	5820					25	2629	0-90	5820	100	75	5242
Efficacy	109.8 Lm/W					35	2574	90-180	0	0	85	4599
SC	1.12					45	1738	0-180	5820	100		
						55	772					
						65	181					
						75	44					
						85	13					
						90	0					

Single Unit Footcandles 2.5" from wall (distance from fixture along wall)					
DD	•	1'	2'	3'	
1'	6.4	4.9	2.5	1.1	
2'	43.7	32.8	15.3	5.5	
3'	68.3	58.2	36	17.6	
4'	58.9	52.2	38	24.8	
5'	38.8	37	31.3	21.6	
6'	25.7	24.5	22.1	18.5	
7'	18.2	17.5	15.9	14.1	
8'	13.2	12.8	11.9	10.7	
9'	9.8	9.6	9.1	8.4	
10'	7.5	7.3	7	6.6	

Multiple Unit Footcandles 2.5" from wall (spacing between fixtures)						
•	-- 3' --	•	•	-- 4' --	•	
15.2	11.8	15.2		14.4	7.3	14.4
91.9	79.9	91.9		86.1	49.6	86.1
114.1	124.1	114.1		99	96.5	99
85.8	100.2	85.8		72.1	82.8	72.1
58.3	65	58.3		48.2	60.9	48.2
41.9	44.1	41.9		35.7	41.5	35.7
29.9	31.1	29.9		27.1	29.9	27.1
22	22.6	22		20.5	22	20.5
16.5	16.8	16.5		15.7	16.6	15.7
12.7	12.8	12.7		12.2	12.7	12.2

Nominal Scaling From 80 CRI 3500K		
CRI	CCT	Lumen Mult
80	2700	0.938
80	3000	0.962
80	3500	1.000
80	4000	0.993
80	5000	1.013
90	2700	0.784
90	3000	0.826
90	3500	0.853
90	4000	0.891
90	5000	0.922
97	2700	0.696
97	3000	0.737

Nominal Scaling From 5000 lumen package	
LUMEN PACKAGE	LUMEN MULT
1000 LUMEN	0.207
1500 LUMEN	0.280
2000 LUMEN	0.398
3000 LUMEN	0.562
4000 LUMEN	0.799
5000 LUMEN	1.000
6000 LUMEN	1.133
7000 LUMEN	1.368
8000 LUMEN	1.535
9000 LUMEN	1.729
10,000 LUMEN	1.994
12,000 LUMEN	2.261
15,000 LUMEN	2.949
17,500 LUMEN	3.329
20,000 LUMEN	3.924

Connected Solutions

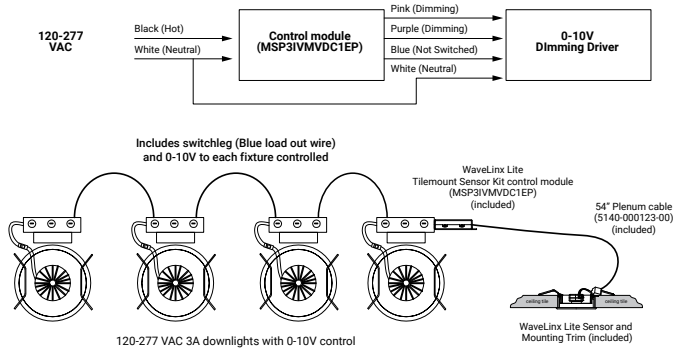
WaveLinX LITE - WLST Tilemount Sensor



- Intuitive Android™ or Apple® iOS® app for basic system code compliant set up and configuration via Bluetooth
- Up to 28 unique areas per project site (WaveLinX LITE Bluetooth network)
- Up to 50 devices for an area, any one of 16 control zones, up to 6 occupancy sets, and custom lighting scenes
- Automatic occupancy or vacancy, sensor sensitivity, daylight dimming, etc. configurable through the app
- Refer to the WaveLinX system specifications for details



WaveLinX LITE WLST Tilemount Wiring Diagram



WaveLinX LITE Bluetooth Enabled System



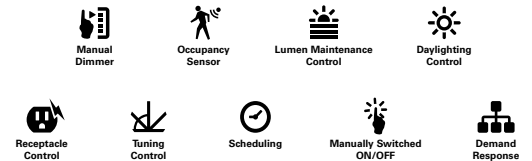
WaveLinX PRO Wireless – WPST Tilemount Sensor



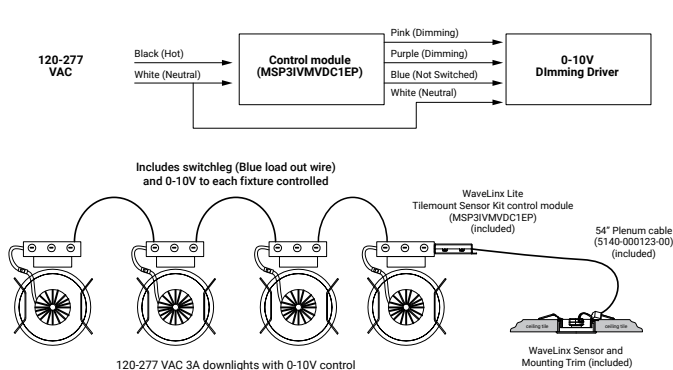
- WaveLinX PRO Wireless functionality configures zones and customizes settings from one secure mobile app
- Automatic code commissioning that meets the strictest codes
- Fixtures and sensors integrate with Wireless Area Controller, Wall Stations, and Control Devices
- Stand-Along Offices or Entire Building Network Installations



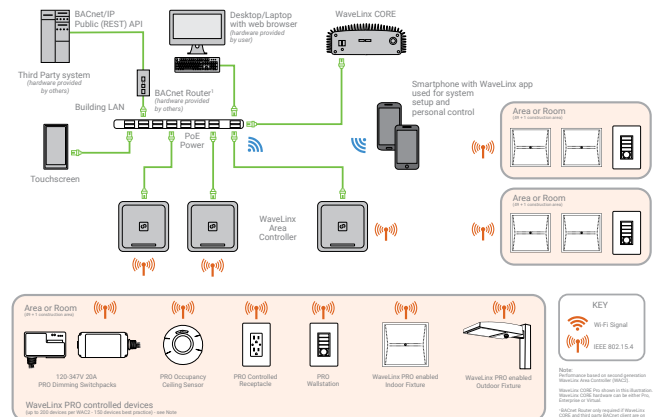
WaveLinX mobile app settings



WaveLinX PRO WPST Tilemount Wiring Diagram



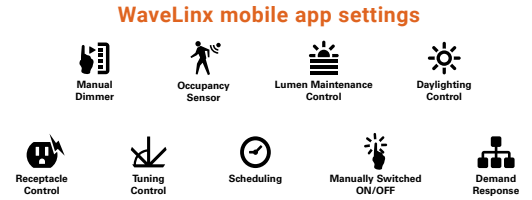
WaveLinX CORE Building Management Integration



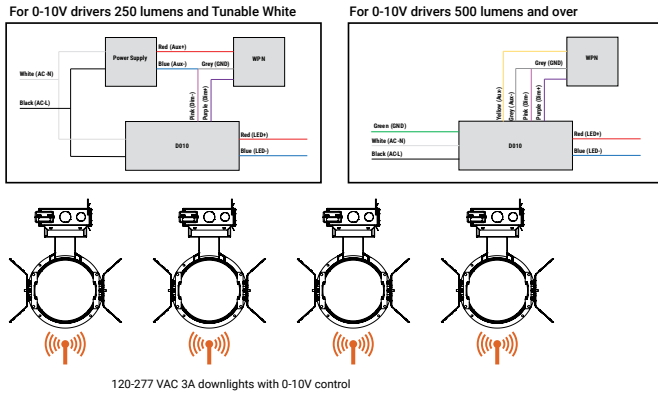
Connected Solutions

WaveLinx PRO Wireless Node - WPN

- WaveLinx Wireless functionality configures zones and customizes settings from one secure mobile app
- Automatic code commissioning that meets the strictest codes
- Fixtures and sensors integrate with WaveLinx Area Controller, Wall Stations, and Control Devices
- Stand-Alone Offices or Entire Building Network Installations



WaveLinx PRO Wireless Node (WPN) Wiring Diagram



WaveLinx CORE Building Management Integration

