

Project		Catalog #		Type	
Prepared by		Notes		Date	



Ephesus

Core Router

Lumadapt Core Router Assembly (CRA)

Typical Applications

Pro Arenas University & Collegiate Arenas • Multi-Event & Convention Centers • Gymnasiums & Field Houses

Interactive Menu

- Order Information [page 2](#)
- Technical Specifications [page 2](#)
- System Performance [page 2](#)

Product Certification

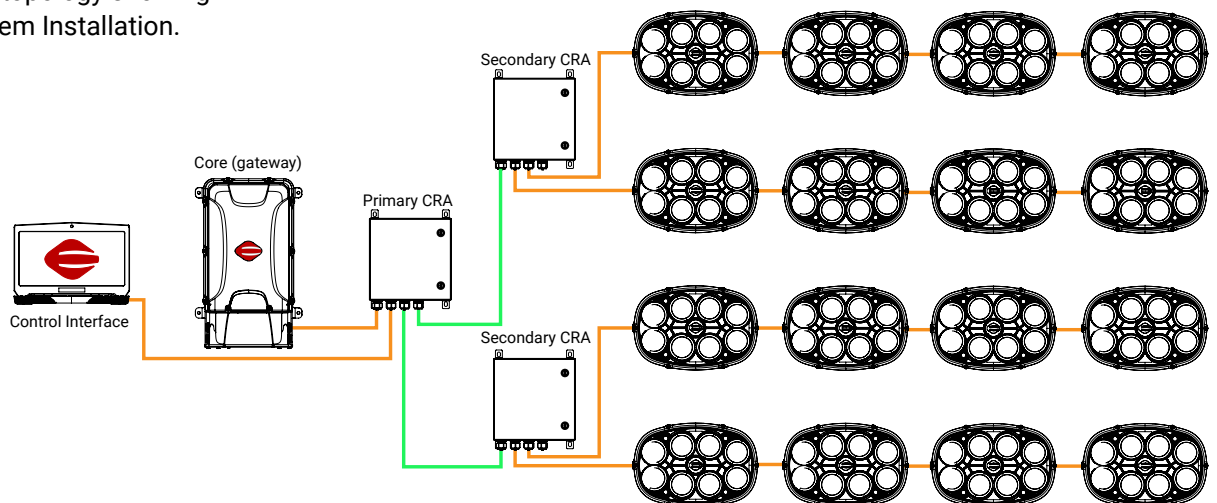


Top Product Features

- Provides internet protocol (IP) connectivity between the Lumadapt family of fixtures, the Lumadapt Core and the Lumadapt Cloud to transmit control and operational data between light fixtures and connected system devices.
- Power over Ethernet/PoE functionality - Power over Ethernet describes a system which passes electrical power along with data on twisted pair Ethernet cabling. This option allows the CRA to power a PoE+ controller or other network device up to 30 watts.
- Small and efficient - The CRA's compact size makes it easy to install wherever it is most convenient, such as in control rooms or near the venue's catwalks.

Sample System Topology

Example system topology showing a Lumadapt System Installation.



Key
— Fiber
— Copper Ethernet

Lumadapt Core Router Assembly (CRA)

Order Information

SAMPLE ORDER NUMBER: **EPH-CRA-LV-P-PoE**

Brand	Product	Voltage	Configuration	PoE Option
EPH = Ephesus	CRA = Lumadapt Core Router Assembly	LV = Low Voltage 120-240 VAC	P = Primary S = Secondary	PoE= Power-Over-Ethernet [†] N = None
				Notes (1) Only the primary CRA can receive power-over-Ethernet.

Technical Specifications

Power Requirements

- 120 to 240 VAC
- 15W without PoE
- 50W with PoE

Peripheral Connectivity

PoE Option:

- 7 x RJ45, 10/100 Ethernet
- 1 x RJ45, 10/100 Ethernet, PoE+
- 2 x Duplex LC, Gigabit Fiber

Non PoE Option

- 8 x RJ45, 10/100 Ethernet
- 2 x Duplex LC, Gigabit Fiber

Dimensions

- 12" x 12" x 8.4" (305 mm x 305 mm x 213mm)

Operating Temperature

- -40°C to +45°C

Operating Humidity

- 0 to 95%, non-condensing

Environmental Rating

- NEMA 1 (indoor)

Mounting

- Mounting feet on enclosure
(See dimensions on page 1)

Product Safety

- UL 508A

Primary CRA (-P) System performance

Maximum Fixture Count

- 24: 3 strings of 8 fixtures
- 15W without PoE
- 50W with PoE

Additional Supported Devices

- Lumadapt Core
- Local Streaming ACN (sACN) Controller (Lumadapt Scene Player)
- LAN connection (Lumadapt Cloud)
- PoE+ Device (-PoE option)

Secondary CRA (-S) System performance

Maximum Fixture Count

- 64: 8 strings of 8 fixtures

Additional Supported Devices

- None

Secondary CRA (-S) System performance

