

Catalog #		Date		Prepared by	
Project		Type		Notes	



HALO

L815 Stasis Small

With sleek, simple geometric profiles and high-performance optics, and a full range of beam angles in 3 different sizes, Stasis provides just the right accent to any high-end application.

Typical Applications

Education • Hospitality • Retail

Interactive Menu

- Order Information page 3
- Photometric Data page 4
- Product Warranty

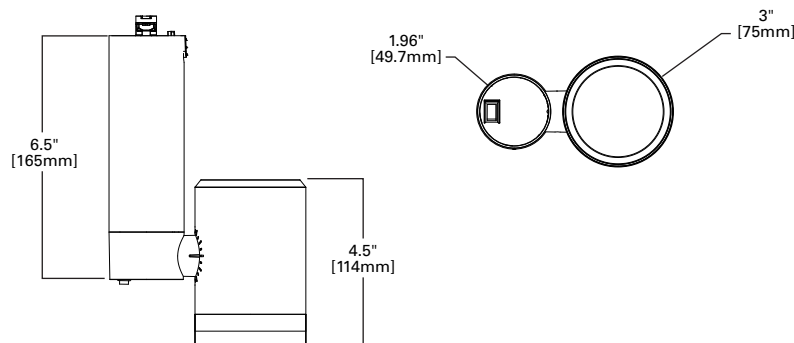
Product Certification



Top Product Features

- Interchangeable, wide selection of beam patterns that meets any accent lighting application.
- Sleek cylindrical design
- Low-Glare chip-on-board optics

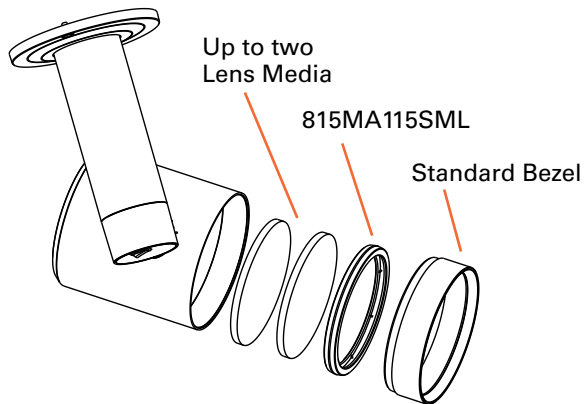
Dimensional and Mounting Details



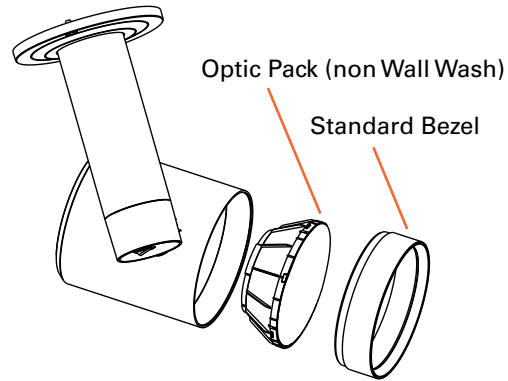
Stasis Accessory Diagram

Stasis comes with several accessories to customize lighting environments. Achieve more cutoff with a snoot, change out an optic on an existing install, or add more media capability with the media holder. Stasis provides an array of avenues for lighting designers to create unique accents.

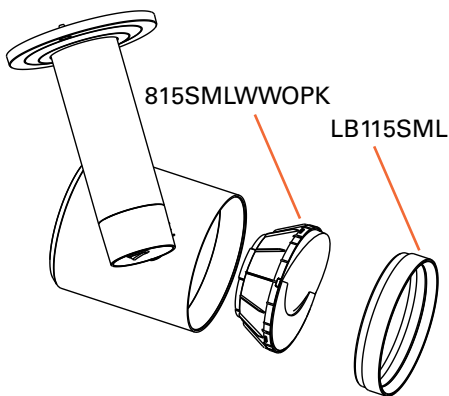
Normal Configuration with Media



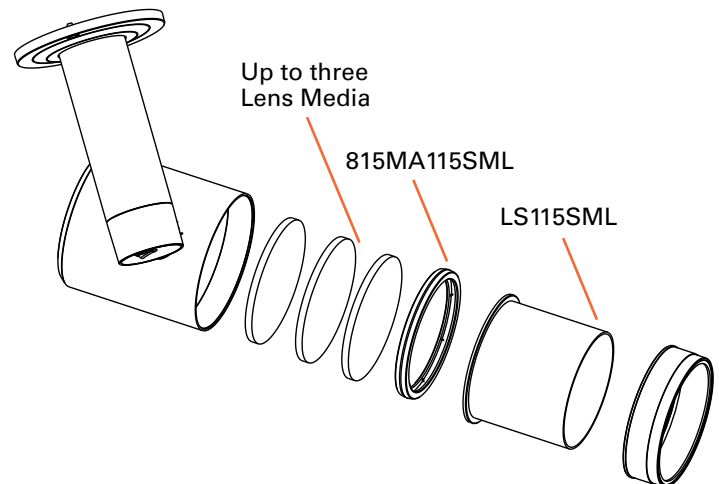
Spare Optic



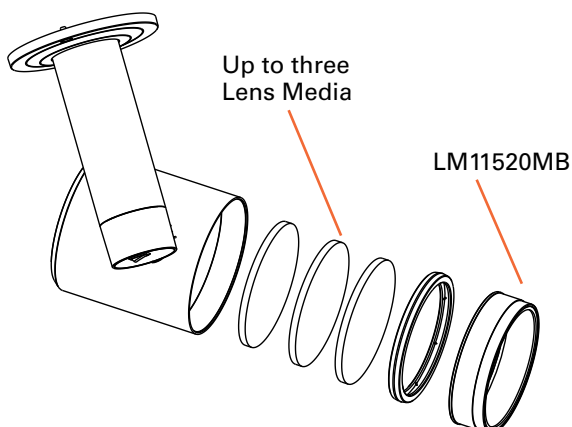
Wall Wash Spare Optic



Snoot and Media



Media Holder



Order Information

500 Lumen Options

Cat logic	Lumens (Nominal)	CCT	Installed Optic (Field interchangeable accessory optics available)	Finish	Track Compatibility
L815SML05FL930MB	500 lm	3000K	45° Flood	Matte Black	LAZER and 1 and 2 circuit Power Trac
L815SML05FL935MB	500 lm	3500K	45° Flood	Matte Black	
L815SML05FL940MB	500 lm	4000K	45° Flood	Matte Black	
L815SML05FL930P	500 lm	3000K	45° Flood	White	Global TEK (120V)
L2G815SML05NF935P	500 lm	3500K	25° Narrow Flood	White	

SKUS available starting April 2025 while supplies last. Please check PRISM for current inventory availability.

1000 Lumen Options

Cat logic	Lumens (Nominal)	CCT	Installed Optic (Field interchangeable accessory optics available)	Finish	Track Compatibility
L815SML10FL927MB	1000 lm	2700K	45° Flood	Matte Black	LAZER and 1 and 2 circuit Power Trac
L815SML10NF927MB	1000 lm	2700K	25° Narrow Flood	Matte Black	
L815SML10NS927MB	1000 lm	2700K	8° Narrow Spot	Matte Black	
L815SML10FL930MB	1000 lm	3000K	45° Flood	Matte Black	
L815SML10NF930MB	1000 lm	3000K	25° Narrow Flood	Matte Black	
L815SML10FL935MB	1000 lm	3500K	45° Flood	Matte Black	
L815SML10NF935MB	1000 lm	3500K	25° Narrow Flood	Matte Black	
L815SML10SP935MB	1000 lm	3500K	15° Spot	Matte Black	
L815SML10FL940MB	1000 lm	4000K	45° Flood	Matte Black	
L815SML10NF940MB	1000 lm	4000K	25° Narrow Flood	Matte Black	
L815SML10FL930P	1000 lm	3000K	45° Flood	White	
L815SML10NF930P	1000 lm	3000K	25° Narrow Flood	White	
L815SML10FL935P	1000 lm	3500K	45° Flood	White	
L815SML10NF935P	1000 lm	3500K	25° Narrow Flood	White	
L815SML10SP935P	1000 lm	3500K	15° Spot	White	
L815SML10WW935P	1000 lm	3500K	Wall Wash Optic	White	
L815SML10FL940P	1000 lm	4000K	45° Flood	White	
L815SML10NF940P	1000 lm	4000K	25° Narrow Flood	White	
L815SML10SP940P	1000 lm	4000K	15° Spot	White	
L2G815SML10FL940P	1000 lm	4000K	45° Flood	White	Global TEK (120V)

SKUS available starting April 2025 while supplies last. Please check PRISM for current inventory availability.

1800 Lumen Options

Cat logic	Lumens (Nominal)	CCT	Installed Optic (Field interchangeable accessory optics available)	Finish	Track Compatibility
L815SML18FL930MB	1800 lm	3000K	45° Flood	Matte Black	LAZER and 1 and 2 circuit Power Trac
L815SML18SP935MB	1800 lm	3500K	15° Spot	Matte Black	
L815SML18FL930P	1800 lm	3000K	45° Flood	White	
L815SML18NF930P	1800 lm	3000K	25° Narrow Flood	White	
L815SML18FL935P	1800 lm	3500K	45° Flood	White	
L815SML18NF940P	1800 lm	4000K	25° Narrow Flood	White	Global HTEK (277V)
L2G815SML18NF930MB277	1800 lm	3000K	25° Narrow Flood	Matte Black	
L2G815SML18FL935MB277	1800 lm	3500K	45° Flood	Matte Black	Global HTEK (277V)

SKUS available starting April 2025 while supplies last. Please check PRISM for current inventory availability.

Stasis 815 Small - Optical Accessories					
All fixtures can be converted to other optical distributions using field interchangeable accessory optics					
815SMLFLOPK			45° Flood Optic		
815SMLNFOPK			25° Narrow Flood Optic		
815SMLSPOPK			15° Spot Optic		
815SMLWWOPKMB			Wall Wash Optic (includes optic and wall wash bezel), Matte Black		
815SMLWWOPKP			Wall Wash Optic (includes optic and wall wash bezel), Matte White		

SKUS available starting April 2025 while supplies last. Please check PRISM for current inventory availability.

Product Specifications

Aiming

- Full aiming capable.
- Can pivot +/-90° vertically and horizontally without adjusting track position.
- Graduations every 15° for precise and repeatable tilt aiming.
- Alignment Indicator mark on the bottom.

Design

- All-metal smooth cylindrical can shape.
- Encased heat sink allows for sleeker aesthetics.
- Available in white, black, and silver finishes.

Optics & Light Engine

- Available in multiple beam distributions including wall wash.
- Equipped with 1 chip-on-board LED.
- Low-glare polycarbonate lens
- Removable bezel allows for interchangeable optics
- Accommodates up to 2 pieces of additional PAR20 media when media holder utilized
- Light output maintains above 70% past 50,000 hours.

Electrical

- Universal 120 – 277V*, 50/60 Hz driver.
- *277V available only with 277 V Global track
- Individual on/off control is possible with the integral on/off switch provided.

Dimming

- Compatible with select TRIAC and ELV dimmers down to 5%.
- Dimming only available with 120V configurations

Warranty

- Five year limited warranty
- Consult website for details. cooperlighting.com

Photometric Data

 [View IES files](#)

Narrow Spot (8 deg beam width), 500 lumen

L815SML05NS930MB	Lumens	Watts	LPW	CCT	SC (0/90/45)
	469 Lm	5.95 W	78.9 Lm/W	3000K	0.15 / 0.15 / 0.15

0 Deg Aiming Angle Horizontal Illuminance on Floor				
MH	FC	L	W	
5'	433.8	0.6	0.6	
7.5'	192.8	1	1	
10'	108.5	1.4	1.4	
12.5'	69.4	1.8	1.8	
15'	48.2	2.2	2.2	

30 deg Aiming Angle Horizontal Illuminance on Floor					
MH	FC	L	W	CB	
5'	281.9	0.9	0.8	2.9	
7.5'	125.3	1.4	1.2	4.3	
10'	70.5	1.9	1.6	5.8	
12.5'	45.1	2.3	2	7.2	
15'	31.3	2.9	2.4	8.7	

30 deg Aiming Angle Vertical Illuminance on Wall					
D	FC	L	W	CB	
3'	159.9	1.6	0.8	5.2	
4'	89.9	2.1	1	6.9	
6'	40	3.3	1.6	10.4	
8'	22.5	4.4	2.2	13.9	
10'	14.4	5.5	2.8	17.3	

60 deg Aiming Angle Horizontal Illuminance on Floor					
MH	FC	L	W	CB	
5'	57.6	2.7	1.4	8.7	
7.5'	25.6	4.1	2	13	
10'	14.4	5.5	2.8	17.3	
12.5'	9.2	6.9	3.6	21.7	
15'	6.4	8.4	4.2	26	

60 deg Aiming Angle Vertical Illuminance on Wall					
D	FC	L	W	CB	
3'	783.1	0.5	0.4	1.7	
4'	440.5	0.7	0.6	2.3	
6'	195.8	1.1	1	3.5	
8'	110.1	1.5	1.2	4.6	
10'	70.5	1.9	1.6	5.8	

Spot (15 deg beam width), 500 lumen

L815SML05SP930MB	Lumens	Watts	LPW	CCT	SC (0/90/45)
	634 Lm	6.83 W	92.9 Lm/W	3000K	0.26 / 0.26 / 0.26

0 Deg Aiming Angle Horizontal Illuminance on Floor				
MH	FC	L	W	
5'	433.8	0.6	0.6	
7.5'	192.8	1	1	
10'	108.5	1.4	1.4	
12.5'	69.4	1.8	1.8	
15'	48.2	2.2	2.2	

30 deg Aiming Angle Horizontal Illuminance on Floor					
MH	FC	L	W	CB	
5'	281.9	0.9	0.8	2.9	
7.5'	125.3	1.4	1.2	4.3	
10'	70.5	1.9	1.6	5.8	
12.5'	45.1	2.3	2	7.2	
15'	31.3	2.9	2.4	8.7	

30 deg Aiming Angle Vertical Illuminance on Wall					
D	FC	L	W	CB	
3'	159.9	1.6	0.8	5.2	
4'	89.9	2.1	1	6.9	
6'	40	3.3	1.6	10.4	
8'	22.5	4.4	2.2	13.9	
10'	14.4	5.5	2.8	17.3	

60 deg Aiming Angle Horizontal Illuminance on Floor					
MH	FC	L	W	CB	
5'	57.6	2.7	1.4	8.7	
7.5'	25.6	4.1	2	13	
10'	14.4	5.5	2.8	17.3	
12.5'	9.2	6.9	3.6	21.7	
15'	6.4	8.4	4.2	26	

60 deg Aiming Angle Vertical Illuminance on Wall					
D	FC	L	W	CB	
3'	783.1	0.5	0.4	1.7	
4'	440.5	0.7	0.6	2.3	
6'	195.8	1.1	1	3.5	
8'	110.1	1.5	1.2	4.6	
10'	70.5	1.9	1.6	5.8	

Narrow Flood (25 deg beam width), 500 lumen

L815SML05NF930MB	Lumens	Watts	LPW	CCT	SC (0/90/45)
	635 Lm	6.83 W	93 Lm/W	3000K	0.42 / 0.42 / 0.39

0 Deg Aiming Angle Horizontal Illuminance on Floor				
MH	FC	L	W	
5'	133.4	2	2	
7.5'	59.3	3	3	
10'	33.4	4.2	4.2	
12.5'	21.3	5.2	5.2	
15'	14.8	6.2	6.2	

30 deg Aiming Angle Horizontal Illuminance on Floor					
MH	FC	L	W	CB	
5'	91.7	2.5	2.2	2.9	
7.5'	40.8	3.8	3.4	4.3	
10'	22.9	5.1	4.6	5.8	
12.5'	14.7	6.4	5.8	7.2	
15'	10.2	7.7	7	8.7	

30 deg Aiming Angle Vertical Illuminance on Wall					
D	FC	L	W	CB	
3'	68.3	2.9	2	5.2	
4'	38.4	3.9	2.6	6.9	
6'	17.1	5.9	4	10.4	
8'	9.6	7.9	5.4	13.9	
10'	6.1	9.9	6.8	17.3	

60 deg Aiming Angle Horizontal Illuminance on Floor					
MH	FC	L	W	CB	
5'	24.6	4.9	3.4	8.7	
7.5'	10.9	7.4	5	13	
10'	6.1	9.9	6.8	17.3	
12.5'	3.9	12.4	8.4	21.7	
15'	2.7	14.7	10.2	26	

60 deg Aiming Angle Vertical Illuminance on Wall					
D	FC	L	W	CB	
3'	254.8	1.5	1.4	1.7	
4'	143.3	2	1.8	2.3	
6'	63.7	3	2.8	3.5	
8'	35.8	4	3.6	4.6	
10'	22.9	5.1	4.6	5.8	

Flood (45 deg beam width), 500 lumen

L815SML05FL930MB	Lumens	Watts	LPW	CCT	SC (0/90/45)
	613 Lm	6.83 W	89.8 Lm/W	3000K	0.71 / 0.71 / 0.68

0 Deg Aiming Angle Horizontal Illuminance on Floor				
MH	FC	L	W	
5'	44.7	3.4	3.4	
7.5'	19.9	5.2	5.2	
10'	11.2	7	7	
12.5'	7.2	8.8	8.8	
15'	5	10.6	10.6	

30 deg Aiming Angle Horizontal Illuminance on Floor					
MH	FC	L	W	CB	
5'	33.6	3.8	3.6	2.9	
7.5'	14.9	5.7	5.6	4.3	
10'	8.4	7.7	7.4	5.8	
12.5'	5.4	9.7	9.4	7.2	
15'	3.7	11.6	11.2	8.7	

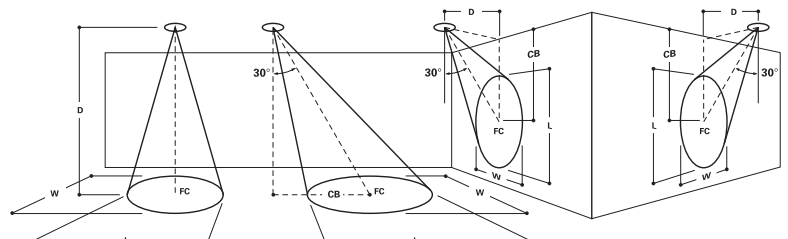
30 deg Aiming Angle Vertical Illuminance on Wall					
D	FC	L	W	CB	
3'	33.9	3.1	2.8	5.2	
4'	19.1	4.2	3.8	6.9	
6'	8.5	6.3	5.6	10.4	
8'	4.8	8.5	7.6	13.9	
10'	3.1	10.6	9.4	17.3	

60 deg Aiming Angle Horizontal Illuminance on Floor					
MH	FC	L	W	CB	
5'	12.2	5.3	4.6	8.7	
7.5'	5.4	7.9	7	13	
10'	3.1	10.6	9.4	17.3	
12.5'	2	13.2	11.6	21.7	
15'	1.4	15.6	13.6	26	

60 deg Aiming Angle Vertical Illuminance on Wall					
D	FC	L	W	CB	
3'	93.3	2.3	2.2	1.7	
4'	52.5	3	3	2.3	
6'	23.3	4.6	4.4	3.5	
8'	13.1	6.1	6	4.6	
10'	8.4	7.7	7.4	5.8	

Notes and Definitions:

Beam spread is to 50% center beam candlepower (CBCP)
 D=Distance in feet to floor or wall.
 FC=Footcandles on floor or wall at center beam aiming location.
 L=Effective Visual Beam length in feet (50% of maximum footcandle level.)
 W=Effective Visual Beam width in feet (50% of maximum footcandle level.)
 CB=Distance in feet across or down to center beam location.



Note: Refer to IES files for more product data.

Photometric Data

View IES files

Narrow Spot (8 deg beam width), 1000 lumen

L815SML10NS930MB	Lumens	Watts	LPW	CCT	SC (0/90/45)
	858 Lm	11.1 W	77.3 Lm/W	3000K	0.15 / 0.15 / 0.15

0 Deg Aiming Angle Horizontal Illuminance on Floor				
MH	FC	L	W	
5'	792.9	0.6	0.6	
7.5'	352.4	1	1	
10'	198.2	1.4	1.4	
12.5'	126.9	1.8	1.8	
15'	88.1	2.2	2.2	

30 deg Aiming Angle Horizontal Illuminance on Floor					
MH	FC	L	W	CB	
5'	515.2	0.9	0.8	2.9	
7.5'	229	1.4	1.2	4.3	
10'	128.8	1.9	1.6	5.8	
12.5'	82.4	2.3	2	7.2	
15'	57.2	2.9	2.4	8.7	

30 deg Aiming Angle Vertical Illuminance on Wall					
D	FC	L	W	CB	
3'	292.3	1.6	0.8	5.2	
4'	164.4	2.1	1	6.9	
6'	73.1	3.3	1.6	10.4	
8'	41.1	4.4	2.2	13.9	
10'	26.3	5.5	2.8	17.3	

60 deg Aiming Angle Horizontal Illuminance on Floor					
MH	FC	L	W	CB	
5'	105.2	2.7	1.4	8.7	
7.5'	46.8	4.1	2	13	
10'	26.3	5.5	2.8	17.3	
12.5'	16.8	6.9	3.6	21.7	
15'	11.7	8.4	4.2	26	

60 deg Aiming Angle Vertical Illuminance on Wall					
D	FC	L	W	CB	
3'	1431.2	0.5	0.4	1.7	
4'	805.1	0.7	0.6	2.3	
6'	357.8	1.1	1	3.5	
8'	201.3	1.5	1.2	4.6	
10'	128.8	1.9	1.6	5.8	

Spot (15 deg beam width), 1000 lumen

L815SML10SP930MB	Lumens	Watts	LPW	CCT	SC (0/90/45)
	1231 Lm	12.7 W	96.9 Lm/W	3000K	0.26 / 0.26 / 0.26

0 Deg Aiming Angle Horizontal Illuminance on Floor				
MH	FC	L	W	
5'	559.6	1.2	1.2	
7.5'	248.7	1.8	1.8	
10'	139.9	2.4	2.4	
12.5'	89.5	3.2	3.2	
15'	62.2	3.8	3.8	

30 deg Aiming Angle Horizontal Illuminance on Floor					
MH	FC	L	W	CB	
5'	370	1.6	1.4	2.9	
7.5'	164.4	2.4	2.2	4.3	
10'	92.5	3.3	2.8	5.8	
12.5'	59.2	4.1	3.6	7.2	
15'	41.1	4.9	4.4	8.7	

30 deg Aiming Angle Vertical Illuminance on Wall					
D	FC	L	W	CB	
3'	224.8	2.4	1.4	5.2	
4'	126.4	3.3	1.8	6.9	
6'	56.2	4.9	2.8	10.4	
8'	31.6	6.7	3.8	13.9	
10'	20.2	8.3	4.8	17.3	

60 deg Aiming Angle Horizontal Illuminance on Floor					
MH	FC	L	W	CB	
5'	80.9	4.1	2.4	8.7	
7.5'	36	6.3	3.6	13	
10'	20.2	8.2	4.8	17.3	
12.5'	12.9	10.2	6	21.7	
15'	9	12.1	7.2	26	

60 deg Aiming Angle Vertical Illuminance on Wall					
D	FC	L	W	CB	
3'	1027.7	0.9	0.8	1.7	
4'	578.1	1.3	1	2.3	
6'	256.9	1.9	1.6	3.5	
8'	144.5	2.6	2.2	4.6	
10'	92.5	3.3	2.8	5.8	

Narrow Flood (25 deg beam width), 1000 lumen

L815SML10NF930MB	Lumens	Watts	LPW	CCT	SC (0/90/45)
	1233 Lm	12.7 W	97.1 Lm/W	3000K	0.42 / 0.42 / 0.39

0 Deg Aiming Angle Horizontal Illuminance on Floor				
MH	FC	L	W	
5'	259	2	2	
7.5'	115.1	3	3	
10'	64.7	4.2	4.2	
12.5'	41.4	5.2	5.2	
15'	28.8	6.2	6.2	

30 deg Aiming Angle Horizontal Illuminance on Floor					
MH	FC	L	W	CB	
5'	178	2.5	2.2	2.9	
7.5'	79.1	3.8	3.4	4.3	
10'	44.5	5.1	4.6	5.8	
12.5'	28.5	6.4	5.8	7.2	
15'	19.8	7.7	7	8.7	

30 deg Aiming Angle Vertical Illuminance on Wall					
D	FC	L	W	CB	
3'	132.5	2.9	2	5.2	
4'	74.5	3.9	2.6	6.9	
6'	33.1	5.9	4	10.4	
8'	18.6	7.9	5.4	13.9	
10'	11.9	9.9	6.8	17.3	

60 deg Aiming Angle Horizontal Illuminance on Floor					
MH	FC	L	W	CB	
5'	47.7	4.9	3.4	8.7	
7.5'	21.2	7.4	5	13	
10'	11.9	9.9	6.8	17.3	
12.5'	7.6	12.4	8.4	21.7	
15'	5.3	14.7	10.2	26	

60 deg Aiming Angle Vertical Illuminance on Wall					
D	FC	L	W	CB	
3'	494.5	1.5	1.4	1.7	
4'	278.2	2	1.8	2.3	
6'	123.6	3	2.8	3.5	
8'	69.5	4	3.6	4.6	
10'	44.5	5.1	4.6	5.8	

Flood (45 deg beam width), 1000 lumen

L815SML10FL930MB	Lumens	Watts	LPW	CCT	SC (0/90/45)
	1190 Lm	12.7 W	93.7 Lm/W	3000K	0.71 / 0.71 / 0.68

0 Deg Aiming Angle Horizontal Illuminance on Floor				
MH	FC	L	W	
5'	86.8	3.4	3.4	
7.5'	38.6	5.2	5.2	
10'	21.7	7	7	
12.5'	13.9	8.8	8.8	
15'	9.6	10.6	10.6	

30 deg Aiming Angle Horizontal Illuminance on Floor					
MH	FC	L	W	CB	
5'	65.2	3.8	3.6	2.9	
7.5'	29	5.7	5.6	4.3	
10'	16.3	7.7	7.4	5.8	
12.5'	10.4	9.7	9.4	7.2	
15'	7.2	11.6	11.2	8.7	

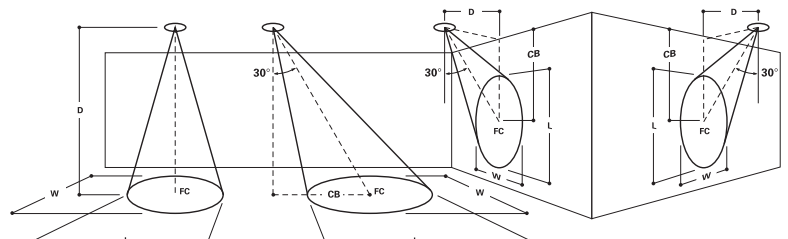
30 deg Aiming Angle Vertical Illuminance on Wall					
D	FC	L	W	CB	
3'	65.8	3.1	2.8	5.2	
4'	37	4.2	3.8	6.9	
6'	16.5	6.3	5.6	10.4	
8'	9.3	8.5	7.6	13.9	
10'	5.9	10.6	9.4	17.3	

60 deg Aiming Angle Horizontal Illuminance on Floor					
MH	FC	L	W	CB	
5'	23.7	5.3	4.6	8.7	
7.5'	10.5	7.9	7	13	
10'	5.9	10.6	9.4	17.3	
12.5'	3.8	13.2	11.6	21.7	
15'	2.6	15.6	13.6	26	

60 deg Aiming Angle Vertical Illuminance on Wall					
D	FC	L	W	CB	
3'	181.1	2.3	2.2	1.7	
4'	101.8	3	3	2.3	
6'	45.3	4.6	4.4	3.5	
8'	25.5	6.1	6	4.6	
10'	16.3	7.7	7.4	5.8	

Notes and Definitions:

Beam spread is to 50% center beam candlepower (CBCP)
 D=Distance in feet to floor or wall.
 FC=Footcandles on floor or wall at center beam aiming location.
 L=Effective Visual Beam length in feet (50% of maximum footcandle level.)
 W=Effective Visual Beam width in feet (50% of maximum footcandle level.)
 CB=Distance in feet across or down to center beam location.



Note: Refer to IES files for more product data.

Photometric Data

 [View IES files](#)

Spot (15 deg beam width), 1800 lumen

L815SML18SP930MB	Lumens	Watts	LPW	CCT	SC (0/90/45)
	1835 Lm	20 W	91.8 Lm/W	3000K	0.26 / 0.26 / 0.26

0 Deg Aiming Angle Horizontal Illuminance on Floor				
MH	FC	L	W	
5'	834.3	1.2	1.2	
7.5'	370.8	1.8	1.8	
10'	208.6	2.4	2.4	
12.5'	133.5	3.2	3.2	
15'	92.7	3.8	3.8	

30 deg Aiming Angle Horizontal Illuminance on Floor				
MH	FC	L	W	CB
5'	551.6	1.6	1.4	2.9
7.5'	245.2	2.4	2.2	4.3
10'	137.9	3.3	2.8	5.8
12.5'	88.3	4.1	3.6	7.2
15'	61.3	4.9	4.4	8.7

30 deg Aiming Angle Vertical Illuminance on Wall				
D	FC	L	W	CB
3'	335.1	2.4	1.4	5.2
4'	188.5	3.3	1.8	6.9
6'	83.8	4.9	2.8	10.4
8'	47.1	6.7	3.8	13.9
10'	30.2	8.3	4.8	17.3

60 deg Aiming Angle Horizontal Illuminance on Floor				
MH	FC	L	W	CB
5'	120.6	4.1	2.4	8.7
7.5'	53.6	6.3	3.6	13
10'	30.2	8.2	4.8	17.3
12.5'	19.3	10.2	6	21.7
15'	13.4	12.1	7.2	26

60 deg Aiming Angle Vertical Illuminance on Wall				
D	FC	L	W	CB
3'	1532.2	0.9	0.8	1.7
4'	861.9	1.3	1	2.3
6'	383	1.9	1.6	3.5
8'	215.5	2.6	2.2	4.6
10'	137.9	3.3	2.8	5.8

Narrow Flood (25 deg beam width), 1800 lumen

L815SML18NF930MB	Lumens	Watts	LPW	CCT	SC (0/90/45)
	1838 Lm	20 W	91.9 Lm/W	3000K	0.42 / 0.42 / 0.39

0 Deg Aiming Angle Horizontal Illuminance on Floor				
MH	FC	L	W	
5'	386.1	2	2	
7.5'	171.6	3	3	
10'	96.5	4.2	4.2	
12.5'	61.8	5.2	5.2	
15'	42.9	6.2	6.2	

30 deg Aiming Angle Horizontal Illuminance on Floor				
MH	FC	L	W	CB
5'	265.4	2.5	2.2	2.9
7.5'	118	3.8	3.4	4.3
10'	66.4	5.1	4.6	5.8
12.5'	42.5	6.4	5.8	7.2
15'	29.5	7.7	7	8.7

30 deg Aiming Angle Vertical Illuminance on Wall				
D	FC	L	W	CB
3'	197.6	2.9	2	5.2
4'	111.1	3.9	2.6	6.9
6'	49.4	5.9	4	10.4
8'	27.8	7.9	5.4	13.9
10'	17.8	9.9	6.8	17.3

60 deg Aiming Angle Horizontal Illuminance on Floor				
MH	FC	L	W	CB
5'	71.1	4.9	3.4	8.7
7.5'	31.6	7.4	5	13
10'	17.8	9.9	6.8	17.3
12.5'	11.4	12.4	8.4	21.7
15'	7.9	14.7	10.2	26

60 deg Aiming Angle Vertical Illuminance on Wall				
D	FC	L	W	CB
3'	737.3	1.5	1.4	1.7
4'	414.7	2	1.8	2.3
6'	184.3	3	2.8	3.5
8'	103.7	4	3.6	4.6
10'	66.4	5.1	4.6	5.8

Flood (45 deg beam width), 1800 lumen

L815SML18FL930MB	Lumens	Watts	LPW	CCT	SC (0/90/45)
	1774 Lm	20 W	88.7 Lm/W	3000K	0.71 / 0.71 / 0.68

0 Deg Aiming Angle Horizontal Illuminance on Floor				
MH	FC	L	W	
5'	129.4	3.4	3.4	
7.5'	57.5	5.2	5.2	
10'	32.3	7	7	
12.5'	20.7	8.8	8.8	
15'	14.4	10.6	10.6	

30 deg Aiming Angle Horizontal Illuminance on Floor				
MH	FC	L	W	CB
5'	97.2	3.8	3.6	2.9
7.5'	43.2	5.7	5.6	4.3
10'	24.3	7.7	7.4	5.8
12.5'	15.5	9.7	9.4	7.2
15'	10.8	11.6	11.2	8.7

30 deg Aiming Angle Vertical Illuminance on Wall				
D	FC	L	W	CB
3'	98.2	3.1	2.8	5.2
4'	55.2	4.2	3.8	6.9
6'	24.5	6.3	5.6	10.4
8'	13.8	8.5	7.6	13.9
10'	8.8	10.6	9.4	17.3

60 deg Aiming Angle Horizontal Illuminance on Floor				
MH	FC	L	W	CB
5'	35.3	5.3	4.6	8.7
7.5'	15.7	7.9	7	13
10'	8.8	10.6	9.4	17.3
12.5'	5.7	13.2	11.6	21.7
15'	3.9	15.6	13.6	26

60 deg Aiming Angle Vertical Illuminance on Wall				
D	FC	L	W	CB
3'	270	2.3	2.2	1.7
4'	151.8	3	3	2.3
6'	67.5	4.6	4.4	3.5
8'	38	6.1	6	4.6
10'	24.3	7.7	7.4	5.8

Notes and Definitions:

Beam spread is to 50% center beam candlepower (CBCP.)

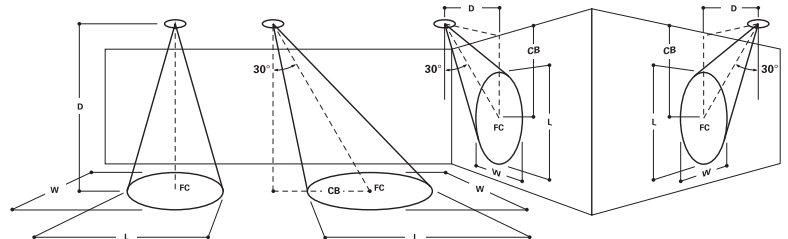
D=Distance in feet to floor or wall.

FC=Footcandles on floor or wall at center beam aiming location.

L=Effective Visual Beam length in feet (50% of maximum footcandle level.)

W=Effective Visual Beam width in feet (50% of maximum footcandle level.)

CB=Distance in feet across or down to center beam location.



Note: Refer to IES files for more product data.

Photometric Data

[View IES files](#)

Wall Wash, 500 lumen

L815SML05WW930MB	Lumens	517 Lm	Watts	6.83 W	LPW	75.6 Lm/W
	CCT	3000K	SC (0/90/45)	0.65 / 0.85 / 0.82		

DD	Single Unit Footcandles 2.5' from wall (distance from fixture along wall)						
	0	1	2	3	4	5	6
1'	2.8	2.3	0.9	0.2	0.1	0	0
2'	5.9	5.2	3.3	1.5	0.6	0.2	0.1
3'	4.9	4.5	3.5	2.1	1.1	0.5	0.3
4'	3.5	3.2	2.8	2	1.2	0.7	0.4
5'	2.5	2.4	2.1	1.6	1.2	0.7	0.4
6'	1.9	1.8	1.6	1.3	1	0.7	0.5
8'	1.1	1	0.9	0.8	0.7	0.5	0.4
10'	0.7	0.7	0.6	0.5	0.5	0.4	0.3

•	Multiple Unit Footcandles 2.5' from wall (spacing between fixtures)					
	3	•	•	4	•	
3	3.2	3		2.8	1.9	2.8
7.5	8.6	7.5		6.5	6.5	6.5
7	8.2	7		5.9	6.9	5.9
5.4	6.1	5.4		4.7	5.6	4.7
4.1	4.5	4.1		3.7	4.1	3.7
3.1	3.4	3.1		2.9	3.1	2.9
1.9	2	1.9		1.8	1.9	1.8
1.2	1.3	1.2		1.1	1.2	1.1

Wall Wash, 1000 lumen

L815SML10WW930MB	Lumens	1003 Lm	Watts	12.7 W	LPW	79 Lm/W
	CCT	3000K	SC (0/90/45)	0.65 / 0.85 / 0.82		

DD	Single Unit Footcandles 2.5' from wall (distance from fixture along wall)						
	0	1	2	3	4	5	6
1'	5.4	4.5	1.8	0.5	0.2	0.1	0
2'	11.5	10	6.3	2.9	1.2	0.4	0.2
3'	9.5	8.7	6.7	4	2	1	0.5
4'	6.7	6.3	5.4	3.9	2.3	1.3	0.7
5'	4.8	4.6	4	3.2	2.2	1.4	0.9
6'	3.6	3.4	3	2.5	1.9	1.4	0.9
8'	2.1	2	1.8	1.6	1.3	1.1	0.8
10'	1.3	1.3	1.2	1	0.9	0.7	0.6

•	Multiple Unit Footcandles 2.5' from wall (spacing between fixtures)					
	3	•	•	4	•	
5.8	6.2	5.8		5.5	3.6	5.5
14.5	16.6	14.5		12.7	12.7	12.7
13.5	15.9	13.5		11.5	13.5	11.5
10.6	11.9	10.6		9	10.8	9
8	8.7	8		7.1	8	7.1
6.1	6.5	6.1		5.6	6	5.6
3.7	3.9	3.7		3.4	3.6	3.4
2.4	2.5	2.4		2.2	2.3	2.2

Wall Wash, 1800 lumen

L815SML18WW930MB	Lumens	1495 Lm	Watts	20 W	LPW	74.8 Lm/W
	CCT	3000K	SC (0/90/45)	0.65 / 0.85 / 0.82		

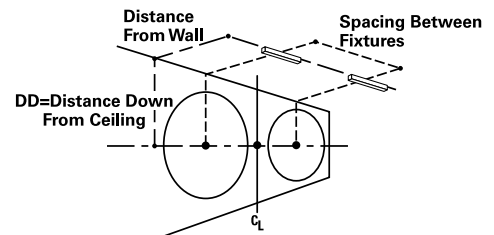
DD	Single Unit Footcandles 2.5' from wall (distance from fixture along wall)						
	0	1	2	3	4	5	6
1'	8	6.7	2.7	0.7	0.2	0.1	0
2'	17.2	14.9	9.4	4.4	1.7	0.6	0.2
3'	14.1	13	10	6	3.1	1.5	0.7
4'	10	9.4	8	5.7	3.5	2	1.1
5'	7.2	6.8	6	4.8	3.4	2.1	1.3
6'	5.4	5.1	4.5	3.7	2.9	2.1	1.4
8'	3.2	3	2.7	2.3	1.9	1.6	1.2
10'	2	1.9	1.8	1.5	1.3	1.1	0.9

•	Multiple Unit Footcandles 2.5' from wall (spacing between fixtures)					
	3	•	•	4	•	
8.7	9.3	8.7		8.2	5.4	8.2
21.6	24.8	21.6		18.9	18.9	18.9
20.1	23.7	20.1		17.2	20.1	17.2
15.7	17.7	15.7		13.5	16.1	13.5
12	13	12		10.6	11.9	10.6
9.1	9.7	9.1		8.3	9	8.3
5.5	5.8	5.5		5.1	5.4	5.1
3.5	3.7	3.5		3.3	3.5	3.3

Notes

- Illuminance values for multiple fixtures are based upon the center two units of a four unit array. Footcandle values are center line of fixtures and centered between fixtures. 1 footcandle = 10.76 lux. 1 foot(') = 304.8mm.
- Illuminance values are cosine corrected initial value with no contribution from inter reflections from other room surfaces. Total illumination may increase from contributions from other surfaces.
- Changing fixture spacing will affect illuminance level.

$\frac{\text{Existing Spacing}}{\text{New Spacing}}$	x	Average Table Fc Level
--	---	------------------------
- 39W Multiplier = .5



Note: Refer to IES files for more product data.