

## DESCRIPTION

The LPXW series provides a code compliant solution for outdoor exit requirements. The fixture is wet UL924 location listed with a temperature rating of ( - 20 C to 50 C ). The UV stabilized polycarbonate housing is available in white, grey or black with red or green Exit letters. Labor savings self diagnostics that perform required monthly and yearly testing are standard for the self powered exits.

Catalog #		Type
Project		
Comments		Date
Prepared by		

## SPECIFICATION FEATURES

### ELECTRICAL

- Voltage Input 120/277 VAC
- AC only or self powered (battery back up ) versions
- 90 minute run time for self powered
- 3.6 volt long life nickel cadmium battery
- Test switch / power Indicator Light
- Battery fully recharges in 24 Hours
- Self Diagnostics standard for self powered

### HOUSING CONSTRUCTION

- 5 VA flame retardant, UV stabilized polycarbonate housing, available in white, black or grey
- High-impact resistant, UV stabilized polycarbonate lens
- Polycarbonate mounting canopy included for top or end mount
- Universal knock out pattern on back plate for wall mount
- Top and side mount knock outs included for conduit feed applications
- NFPA 101 compliant field configurable chevrons

### LAMP DATA

- Long life LED lamps provides uniform light output
- Red or green lettering

### WARRANTY

- Five-year fixture warranty
- Prorated 7-year battery warranty

### CODE COMPLIANCE

- UL924, Wet Location Listed (suitable for wet or damp locations)
- Temperature rated for ( -20 C to 50 C )
- Life Safety NFPA 10, NEC, OSHA
- Most State and Local Codes



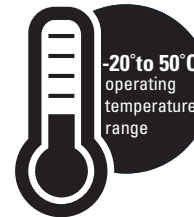
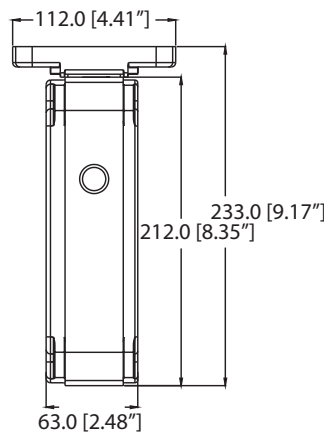
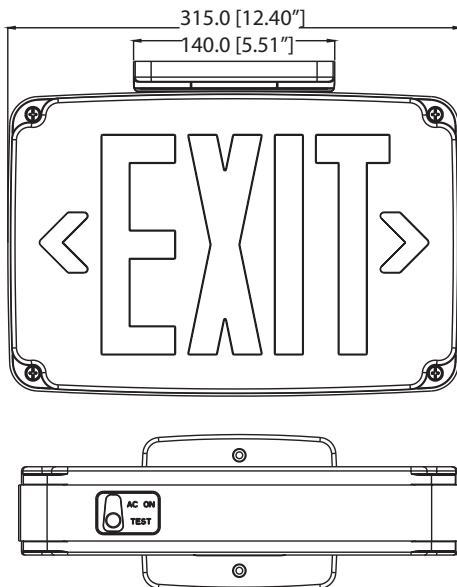
## LPXW Series

### Outdoor Exit UL924 Wet Location

#### LED Source

#### Exit Lighting

## DIMENSIONS



## ORDERING INFORMATION

Series	Power	Faces	Letters	Color	SD
LPXW	6 = AC only	1 = single 2 = double	R = red G = green	_ = silver WH = white BK = black	_ = no SD ( AC only )

Series	Power	Faces	Letters	Color	SD
LPXW	7 = with battery	1 = single 2 = double	R = red G = green	_ = silver WH = white BK = black	SD = self diagnostics, standard

## ENERGY INFORMATION

	LPXW6	LPXW7
Input Watts		
120V	2.7W	3.3W
277V	2.7W	3.4W
Input Amps		
120V	0.025A	0.03A
277V	0.011A	0.014A