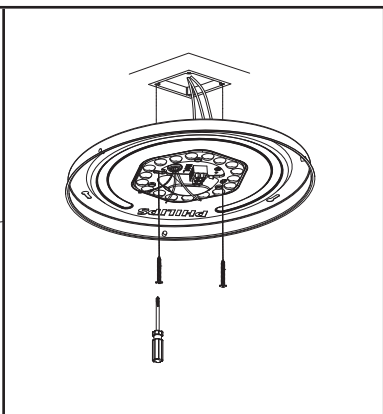
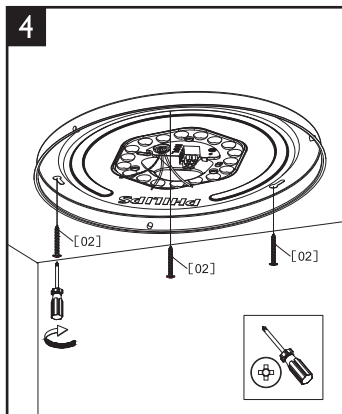
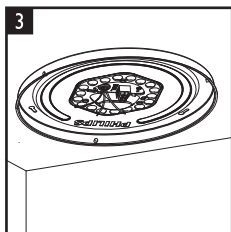
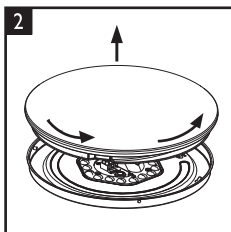
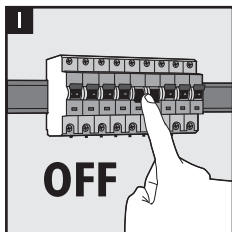
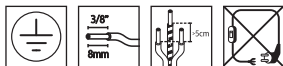
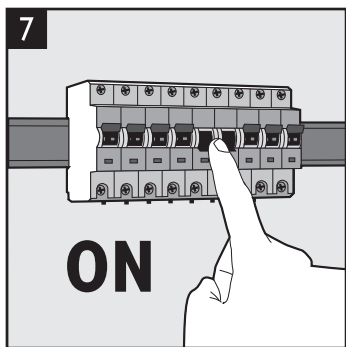
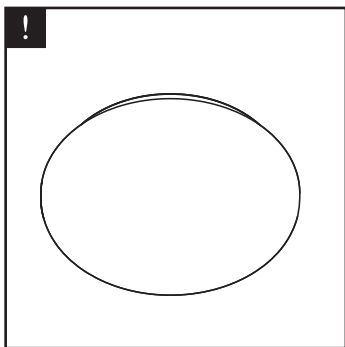
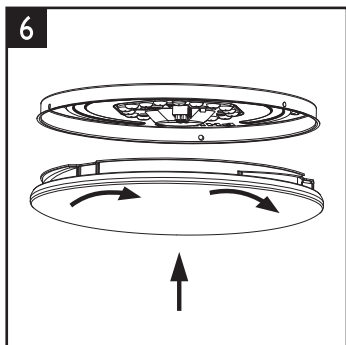
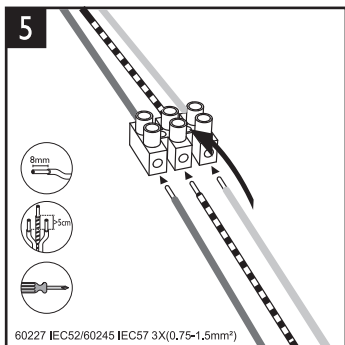


PHILIPS

Moire CL200





E 9150057789A 9150057742A

F 9150057788A 9290026221A

Philips and the Philips shield emblem are registered trademarks of Koninklijke Philips N.V. and are used under license

Signify
I.B.R.S. / C.C.R.I. Numéro 10461
5600 VB Eindhoven, the Netherlands
www.philips.com/lighting

Signify Commercial UK Limited
Unit 3, Guildford Business Park,
Guildford, Surrey, GU2 8XG, UK



© 2023 Signify Holding

©signify

3241 660 52121

Last update: 02/20/23