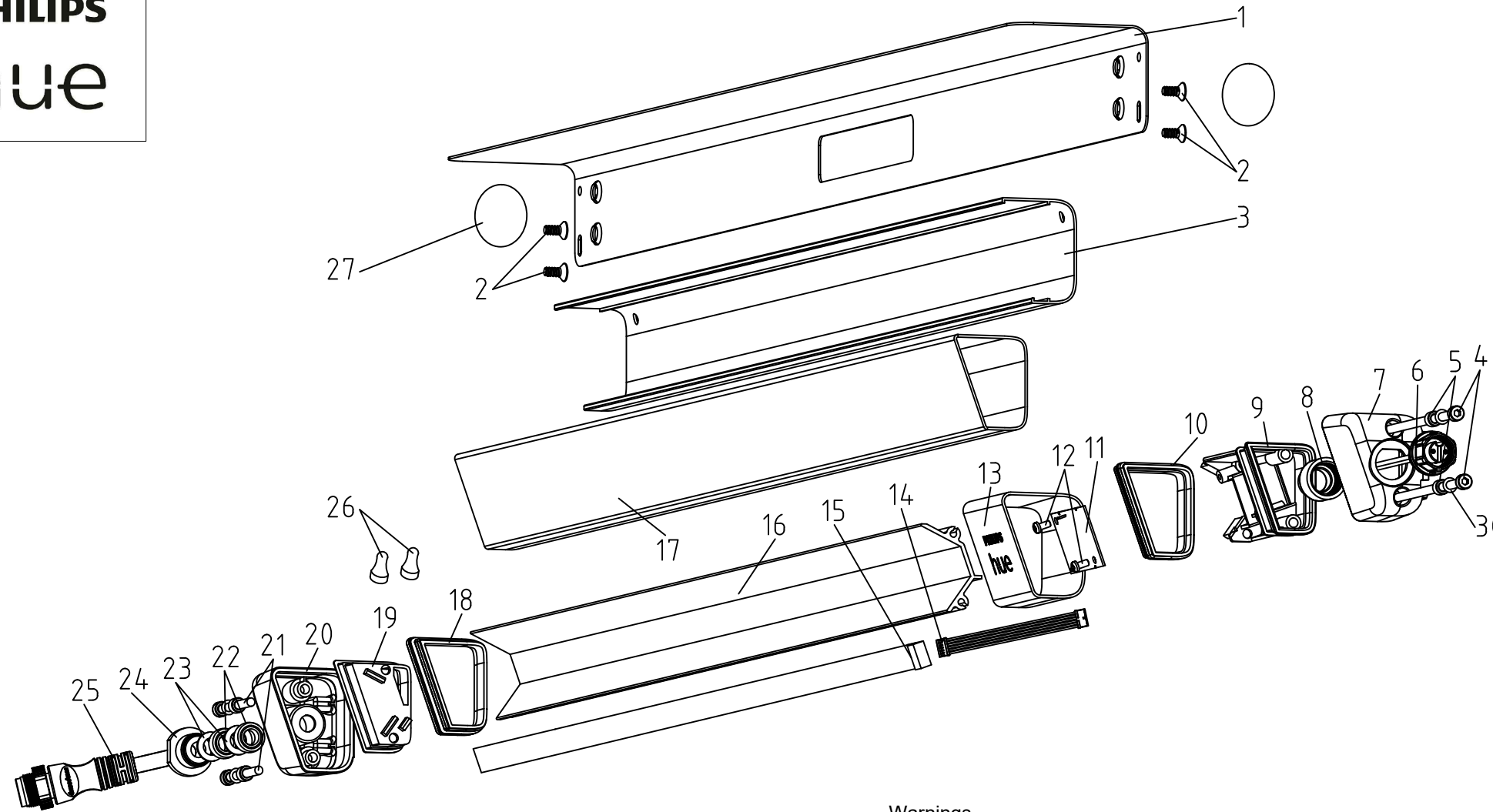


**PHILIPS**  
hue



#	COMPONENT	QTY
1	METAL PROFILE	1
2	SCREW	4
3	PROFILE	1
4	SCREW	2
5	GASKET	4
6	CONNECTOR	1
7	END CAP	1
8	NUT	1
9	BRACKET	1
10	GASKET	1
11	LIGHT SOURCE - HUE CONNECT	1
12	SCREW	2
13	SLEEVE	1
14	FLAT CABLE	1
15	LIGHT SOURCE - LED STRIP	1
16	REFLECTOR	1
17	LIGHT BODY	1
18	GASKET	1
19	SUPPORT	1
20	END CAP	1
21	SCREW	2
22	GASKET	1
23	WASHER	2
24	GLAND	1
25	CABLE	1
26	CLOSED END CONNECTOR	2
27	RUBBER PAD	2

**Warnings**

Always make sure the luminaire is detached from the mains socket  
Always make sure the DC cable is detached from the power supply  
Staring at the operating light source may cause eye injury

SKU	Color	Country
915005843401	BLACK	EU
915005843501	BLACK	NAM

#	Disassemble/dismantle steps	Tools needed
a	PEEL OFF THE RUBBER PAD(27) FROM METAL PROFILE(1)	-
b	REMOVE THE METAL PROFILE(1) BY UNSCREWING THE SCREWS(2)	CROSS HEAD SCREW DRIVER
c	REMOVE THE END CAP(20), SUPPORT(19) AND GASKET(18) BY UNSCREWING THE SCREWS(21)	ALLEN KEY
d	REMOVE THE CLOSED END CONNECTOR(26)	PINCER
e	REMOVE THE LIGHT BODY(17), PROFILE(3) AND THE SLEEVE(13)	-
f	REMOVE LIGHT SOURCE - HUE CONNECT(11) FROM BRACKET(9) BY UNSCREWING THE SCREWS(12)	CROSS HEAD SCREW DRIVER
g	REMOVE THE WIRE OF THE CONNECTOR(6) FROM LIGHT SOURCE - HUE CONNECT(11)	FLATHEAD SCREWDRIVER OR WAGO TOOL #2065
h	PEEL OFF THE LIGHT SOURCE - LED STRIP(15) FROM REFLECTOR(16) FOR LIGHT SOURCE-LED STRIP REMOVAL PLEASE REFER TO DOCUMENT "200604 - Instruction LED Strip Removal Procedure"	-

STATUS	DESCRIPTION	DESIGN ID
2021-04-12	Amarant Hue WACA EU gardenspot/floodlight Amarant Hue WACA NAM gardenspot/floodlight	DOC 12NC
NAME WH	LOCAL PART ID	SH. 1
CHECKED	DATE	SH.

A3-P