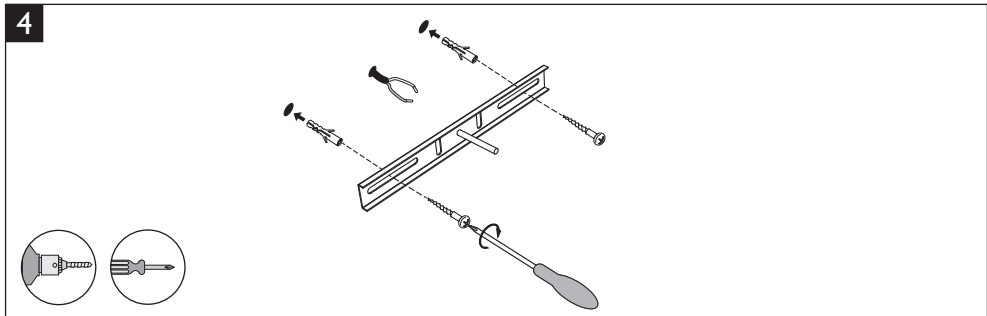
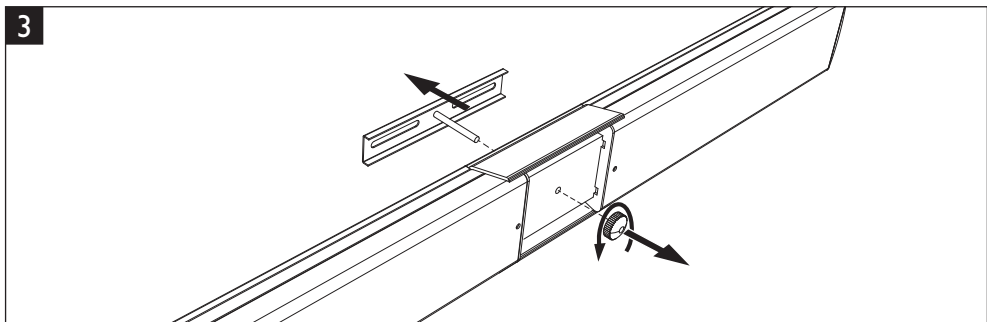
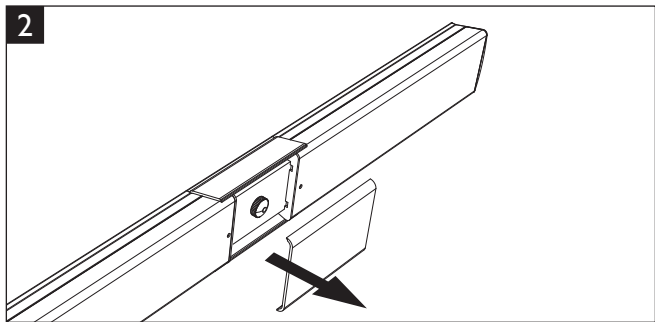
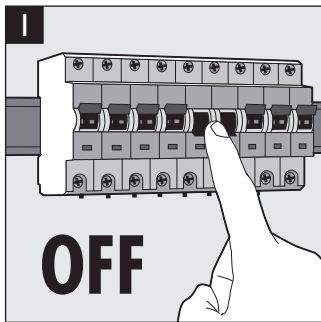
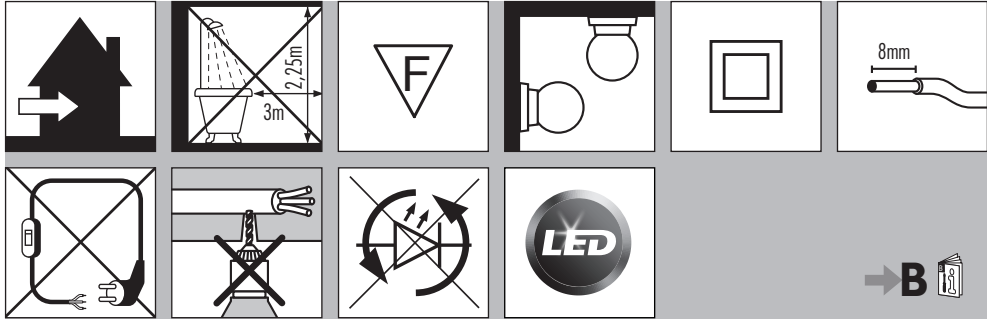




PHILIPS

4404.029.04371
Last update: 06/06/16

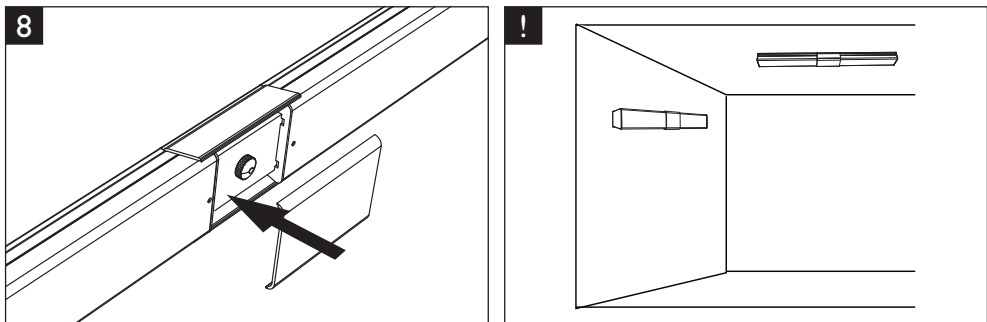
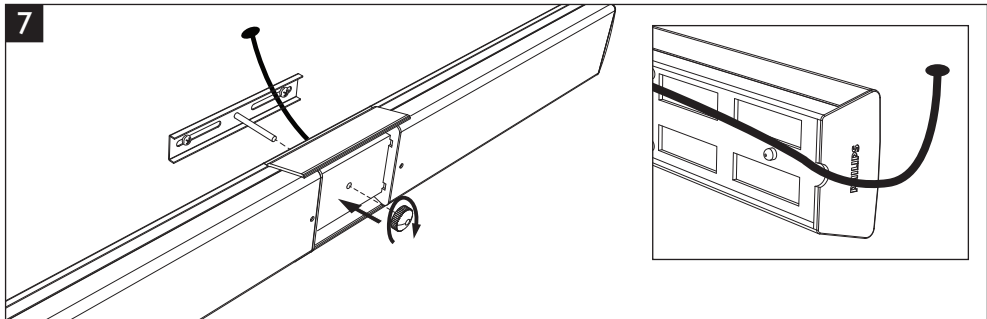
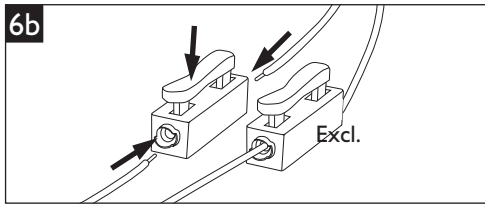
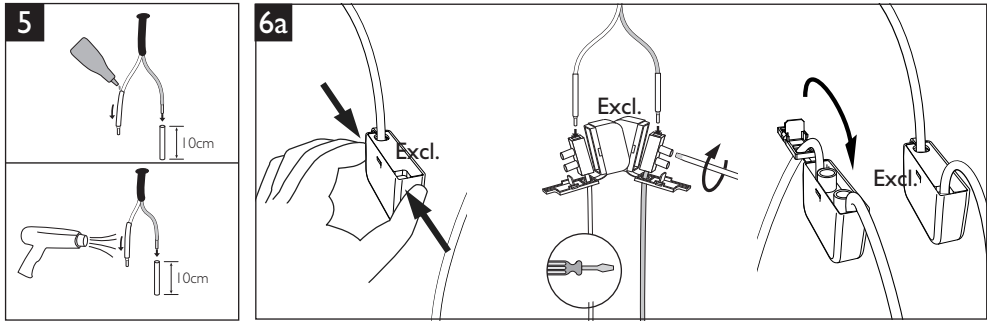


© Copyright





PHILIPS



PHILIPS LIGHTING (CHINA) INVESTMENT CO., LTD.
 BUILDING NO. 9, LANE 888, TIANLIN ROAD,
 MINHANG DISTRICT, SHANGHAI, CHINA, 200233
 飞利浦照明（中国）投资有限公司
 中国上海市闵行区田林路888弄9号楼，邮编：200233

