

DESCRIPTION

Adjustable eyeball for use with PAR lamp in H5 series housings. Gimbal adjusts up to 30° from horizontal.

Catalog #		Type
Project		
Comments		Date
Prepared by		

DESIGN FEATURES

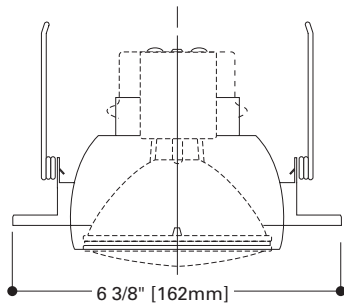
Torsion springs pull trim tight to ceiling. Straight sided trim ring coordinates with die cast Halo 3" and 4" trims.

LAMP LISTINGS

H51CAT 75W PAR30
H5RICAT

H251CAT 75W PAR30

H5T 75W PAR30
H5RT



75W PAR30SP 1100 Lumens

D	FC	L x W	S
2	568	1 1	1
3	252	2 2	2
4	142	3 2	2
5	91	3 3	3
6	63	4 3	3

Based on typical bare lamp data



5070P
White

5070PB
Polished Brass

5070SL
Silver

5070SN
Satin Nickel

5070AC
Antique Copper

5070TBZ
Tuscan Bronze

5070
5" Adjustable
Eyeball

ADV071147
6/07

Trim

Finish

Accessory

5070=5" Adjustable Eyeball Trim

P=White Trim Ring with White Eyeball
PB=Polished Brass Trim Ring with Polished Brass Eyeball
SL=Silver Trim Ring with Silver Eyeball
SN=Satin Nickel Trim Ring with Satin Nickel Eyeball
AC=Antique Copper Trim Ring with Antique Copper Eyeball
TBZ=Tuscan Bronze Trim Ring with Tuscan Bronze Eyeball

OT500P=5" Oversize Trim Ring - White

Note: Specifications and Dimensions subject to change without notice.

Visit our web site at www.cooperlighting.com