



SRT STEEL ROUND TAPERED

Catalog #		Type
Project		
Comments		Date
Prepared by		

FEATURES

- ASTM Grade steel base plate with ASTM A366 base cover
- Hand hole assembly 3" x 5" on SRT poles
- 20'-50' mounting heights
- Drilled or tenon (specify)

DESIGN CONSIDERATIONS - VIBRATIONS AND NON-GROUND MOUNTED INSTALLATIONS

The information contained herein is for general guidance only and is not a replacement for professional judgment. Design considerations for wind-induced vibrations and non-ground mounted installations (e.g., installations on bridges or buildings) are not included in this document. Consult with a professional, and local and federal standards, before ordering to ensure product is appropriate for the intended purpose and installation location. Refer to the Cooper Lighting Solutions Light Pole White Paper for risk factors and design considerations. [Learn more.](#)

NOTE: The Limited Warranty for this product specifically excludes fatigue failure or similar damage resulting from vibration, harmonic oscillation or resonance.

Specifications and dimensions subject to change without notice. Consult your lighting representative at Cooper Lighting Solutions or visit www.cooperlighting.com for available options, accessories and ordering information.

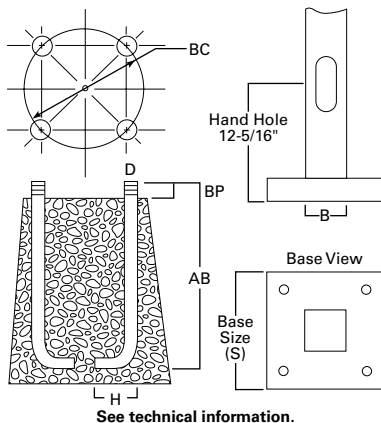
ORDERING INFORMATION

SAMPLE NUMBER: SRT8A30SGMA2G

Product Family	Shaft Size (Inches) ¹	Wall Thickness (Inches)	Mounting Height (Feet)	Base Type	Finish	Mounting Type	Number and Location of Arms	Arm Lengths (Feet)	Options (Add as Suffix)
SRT=Steel Round Tapered	6=6" 7=7" 8=8" 9=9" Steel; 6-3/4" Aluminum 0=10"	A=0.120" D=0.180"	20=20' 25=25' 30=30' 35=35' 39=39' 45=45' 50=50'	S=Square Steel Base	AP=Grey BK=Black BZ=Bronze DP=Dark Platinum GM=Graphite Metallic GN=Hartford Green WH=White	2=2-3/8" O.D. Tenon (4" Long) 3=3-1/2" O.D. Tenon (5" Long) 4=4" O.D. Tenon (6" Long) - Slide/Flite/Epic 5=3" O.D. Tenon (4" Long) - Mesa 6=2-3/8" O.D. Tenon (6" Long) 7=4" O.D. Tenon (10" Long) - SDM1/SDM2 A=Type A Drilling C=Type C Drilling E=Type E Drilling F=Type F Drilling G=Type G Drilling J=Type J Drilling K=Type K Drilling M=Type M Drilling N=Type N Drilling S=Standard Upsweep Arm ⁶ X=None	1=Single 2=2 at 180° 3=Triple ² 4=4 at 90° 5=2 at 90° 6=3 at 90° 7=2 at 120° X=None	X=None 2=2' 3=2.5' 4=4' 6=6' 8=8'	A=1/2" Tapped Hub ³ B=3/4" Tapped Hub ³ C=Convenience Outlet ⁴ G=Ground Lug H=Additional Hand Hole ⁵ E=GFCI Convenience Outlet ⁴ V=Vibration Dampener

NOTES: 1. All shaft sizes nominal. 2. Square poles are 3 at 90°, round poles are 3 at 120°. 3. Tapped Hub is located 5' below the pole top and on the same side of pole as hand hole, unless specified otherwise. 4. Outlet is located 4' above base and on same side of pole as hand hole, unless specified otherwise. Receptacle not included, provision only. 5. Additional hand hole is located 12" below pole top and 90° from standard hand hole location, unless otherwise specified. 6. Arm must be ordered separately.

ANCHORAGE DATA



Pole	Template Number	Bolt Number	Bolt Circle (inches)	Number of Bolts	Bolt Size (inches)
SRT6A20	TMP4	AB1	11.0	4	3/4 x 25 x 3
SRT7A25	TMP4	AB1	11.0	4	3/4 x 25 x 3
SRT8A30	TMP5	AB3	12.5	4	1 x 36 x 4
SRT8A35	TMP5	AB3	12.5	4	1 x 36 x 4
SRT9D35	TMP5	AB3	12.5	4	1 x 36 x 4
SRT9A39	TMP5	AB3	12.5	4	1 x 36 x 4
SRT9D39	TMP5	AB3	12.5	4	1 x 36 x 4
SRT0A45	TMP6	AB3	13.5	4	1 x 36 x 4
SRT0D45	TMP7	AB5	13.5	4	1-1/4 x 42 x 6
SRT0A50	TMP6	AB3	13.5	4	1 x 36 x 4
SRT0D50	TMP7	AB5	13.5	4	1-1/4 x 42 x 6

Effective Projected Area (At Pole Top)

Mounting Height (Feet)	Catalog Number ^{1,2}	Wall Thickness (Inches)	Base Square ³ (Inches)	Bolt Circle Diameter (Inches)	Anchor Bolt Projection ³ (Inches)	Shaft Taper ³ (Inches)	Anchor Bolt Diameter x Length x Hook (Inches)	Net Weight (Pounds)	Maximum Effective Projected Area (Square Feet) ⁴				Max. Fixture Load - Includes Bracket (Pounds)
									80 mph	90 mph	100 mph	110 mph	
MH			S	BC	BP	B	D x AB x H						
20	SRT6A20S	0.120	10-1/2	11	4-1/2	6.3 x 3.5	3/4 x 25 x 3	145	19.6	15.0	11.6	9.5	100
25	SRT7A25S	0.120	10-1/2	11	4-1/2	7.0 x 3.5	3/4 x 25 x 3	187	14.7	11.0	8.6	6.8	200
30	SRT8A30S	0.120	12-1/2	12-1/2	5	7.7 x 3.5	1 x 36 x 4	254	18.0	13.5	10.5	8.4	300
35	SRT8A35S	0.120	12-1/2	12-1/2	5	8.4 x 3.5	1 x 36 x 4	305	16.1	11.9	9.1	7.2	300
35	SRT9D35S	0.180	12-1/2	12-1/2	5	8.4 x 3.5	1 x 36 x 4	452	20.5	15.4	12.0	9.6	300
39	SRT9A39S	0.120	12-1/2	12-1/2	5	8.9 x 3.5	1 x 36 x 4	347	14.5	10.7	8.1	6.2	300
39	SRT9D39S	0.180	12-1/2	12-1/2	5	8.9 x 3.5	1 x 36 x 4	516	16.9	12.5	9.6	7.5	300
45	SRT0A45S ⁵	0.120	13-1/2	13-1/2	5	10.2 x 4.2	1 x 36 x 4	466	14.5	10.1	7.7	5.8	300
45	SRT0D45S ⁵	0.180	13-1/2	13-1/2	6	10.2 x 4.2	1-1/4 x 42 x 6	670	27.0	20.5	16.1	13.0	300
50	SRT0A50S ⁵	0.120	13-1/2	13-1/2	5	10.2 x 3.5	1 x 36 x 4	490	7.4	4.9	3.3	2.2	400
50	SRT0D50S ⁵	0.180	13-1/2	13-1/2	6	10.2 x 3.5	1-1/4 x 42 x 6	704	19.8	14.7	11.2	8.6	400

Effective Projected Area (Two Feet Above Pole Top)

Mounting Height (Feet)	Catalog Number ^{1,2}	Wall Thickness (Inches)	Base Square ³ (Inches)	Bolt Circle Diameter (Inches)	Anchor Bolt Projection ³ (Inches)	Shaft Taper ³ (Inches)	Anchor Bolt Diameter x Length x Hook (Inches)	Net Weight (Pounds)	Maximum Effective Projected Area (Square Feet) ⁴				Max. Fixture Load - Includes Bracket (Pounds)
									80 mph	90 mph	100 mph	110 mph	
MH			S	BC	BP	B	D x AB x H						
20	SRT6A20S	0.120	10-1/2	11	4-1/2	6.3 x 3.5	3/4 x 25 x 3	145	17.4	13.4	10.4	8.4	100
25	SRT7A25S	0.120	10-1/2	11	4-1/2	7.0 x 3.5	3/4 x 25 x 3	187	13.7	10.0	7.8	6.2	200
30	SRT8A30S	0.120	12-1/2	12-1/2	5	7.7 x 3.5	1 x 36 x 4	254	16.7	12.6	9.7	7.7	300
35	SRT8A35S	0.120	12-1/2	12-1/2	5	8.4 x 3.5	1 x 36 x 4	305	15.1	11.2	8.6	6.7	300
35	SRT9D35S	0.180	12-1/2	12-1/2	5	8.4 x 3.5	1 x 36 x 4	452	19.5	14.6	11.3	9.0	300
39	SRT9A39S	0.120	12-1/2	12-1/2	5	8.9 x 3.5	1 x 36 x 4	347	13.8	10.1	7.6	5.9	300
39	SRT9D39S	0.180	12-1/2	12-1/2	5	8.9 x 3.5	1 x 36 x 4	516	16.1	11.9	9.1	7.1	300
45	SRT0A45S ⁵	0.120	13-1/2	13-1/2	5	10.2 x 4.2	1 x 36 x 4	466	13.2	9.8	7.3	5.6	300
45	SRT0D45S ⁵	0.180	13-1/2	13-1/2	6	10.2 x 4.2	1-1/4 x 42 x 6	670	26.0	19.8	15.5	12.4	300
50	SRT0A50S ⁵	0.120	13-1/2	13-1/2	5	10.2 x 3.5	1 x 36 x 4	490	7.1	4.7	3.7	2.1	400
50	SRT0D50S ⁵	0.180	13-1/2	13-1/2	6	10.2 x 3.5	1-1/4 x 42 x 6	704	19.0	14.1	10.7	8.3	400

- NOTES:
1. Catalog number includes pole with hardware kit. Anchor bolts not included. Before installing, make sure proper anchor bolts and templates are obtained.
 2. Tenon size or machining for rectangular arms must be specified. Hand hole position relative to drill location.
 3. Shaft size, base square, anchor bolts and projections may vary slightly. All dimensions nominal.
 4. EPAs based on shaft properties with wind normal to flat. EPAs calculated using base wind velocity as indicated plus 30% gust factor.
 5. Two-piece pole.

VIBRATION

Vibrations may cause damage to structures, including poles. Vibrations are unpredictable, and there are many factors and variables that can cause damaging vibrations. Many wind conditions exist that can create damaging vibrations to poles and luminaires, such as constant winds between 10-30 mph. Although all pole types can experience vibration, straight square poles seem to be most prone. Vibration dampers and/or a round tapered design may be used to mitigate damage from vibrations, but there is no guarantee damaging vibrations will be prevented. Vibration dampers are not included with this pole but can be ordered separately. Consult with a professional, and local and federal standards, to ensure this pole is appropriate for the intended purpose and installation location. Refer to Cooper Lighting Solutions' Light Pole White Paper for risk factors and design considerations.

MAINTENANCE

Perform inspections periodically. A prudent inspection schedule would be: one week after installation, one month after installation, yearly after installation, and following any major wind event. During the inspection, check the poles for cracks. If cracks are detected, remedial action is required. Recheck anchor bolt torques and re-tighten according to the recommended torque values. Check for missing covers and pole caps and replace as necessary. Check the pole for corrosion and deterioration of the finish. Should there be corrosion or deterioration, take remedial action to correct.

WARNING: Customer is responsible for engineering analysis to confirm pole and fixture compatibility for all applications. Refer to pole white paper WP513001EN for additional support information. Before installing, make sure proper anchor bolts and templates are obtained. The use of unauthorized accessories such as banners, signs, cameras or pennants for which the pole was not designed voids the pole warranty and may result in pole failure causing serious injury or property damage. Information regarding total loading capacity can be supplied upon request. The pole warranty is void unless poles are used and installed as a complete pole and luminaire combination. This warranty specifically excludes failure as the result of a third party act or omission, misuse, unanticipated uses, fatigue failure or similar phenomena resulting from induced vibration, harmonic oscillation or resonance associated with movement of air currents around the product.

Specifications and dimensions subject to change without notice. Consult your lighting representative at Cooper Lighting Solutions or visit www.cooperlighting.com for available options, accessories and ordering information.



Cooper Lighting Solutions
 1121 Highway 74 South
 Peachtree City, GA 30269
 P: 770-486-4800
www.cooperlighting.com

Specifications and dimensions subject to change without notice.