

**DESCRIPTION**

Lampholder utilizes NEW 120V MR16 lamps with both GU-10 or GZ-10 base and provides a white crisp light. Lampholders are available in Satin White (P) or Matte Black (MB) finishes. Lazer lampholders are compatible with all Halo Power-Trac systems. Ideal for accent and display lighting.

**SPECIFICATION FEATURES**

**A...Electrical Quick Lock Adapter**

Polycarbonate casing. Attaches electrically and mechanically anywhere along track. Visual polarity line assures proper grounding. Two position conductor allows use in single circuit and either circuit of two circuit track.

**B...Arm**

Die formed steel arm allows lampholder to rotate 338° and adjust vertically from 0° to 90°.

**C...Socket Housing**

Deep drawn steel housing with matching finish.

**D...Lamp Holder**

Die formed gimbal ring

Catalog #	Type
Project	
Comments	
Prepared by	Date

contains lamp retention spring for holding lamp

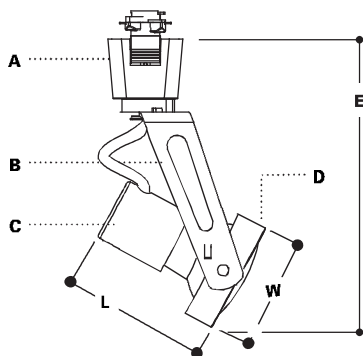
**Listings**

UL/CSA listed for use with Halo and Lazer-by-Halo track and track systems



**LZR316**

**120V MR16  
GIMBAL RING  
LAMPHOLDER**  
Lazer by Halo



**Cone of Light  
120V 50W 25° Flood**

Distance to Illuminated Plane	Initial Footcandles	Beam Diameter
3'3"	130	1'6"
6'6"	32	2'11"
9'9"	14	4'3"
13'2"	8	5'9"

Information is raw lamp data for SLI Lighting ES/ESD16 lamp

**Cone of Light  
120V 50W 50° Wide Flood**

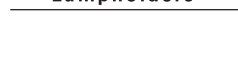
Distance to Illuminated Plane	Initial Footcandles	Beam Diameter
3'3"	60	3'0"
6'6"	15	6'1"
9'9"	7	9'2"
13'2"	4	12'2"

Information is raw lamp data for SLI Lighting ES/ESD16 lamp

**ORDERING INFORMATION**

SAMPLE NUMBER: LZR316P

**Lampholders**



LZR316=120V MR16 Gimbal Ring

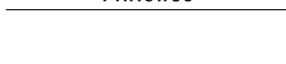


**LZR316**

For use with:  
50W Max. 120V MR16  
GU-10 or GZ-10 base

W=2 1/8" [54mm]  
L =2 7/8" [73mm]  
E =5 1/4 " [133mm]

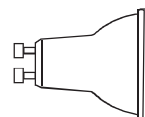
**Finishes**



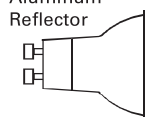
P=Satin White  
MB=Satin Black

**120V MR16 Lamps**

- Eliminates the need for step down transformers
- Can be dimmed with standard incandescent dimmers
- Same diameter as 12V MR16 lamps
- Can be used in open fixtures without the need for a cover glass
- Lamps twist in and twist out
- UV stop quartz glass cover
- Either base style can be used with Lazer lampholders.



GU-10 Base Aluminum Reflector



GZ-10 Base Dichroic Reflector

ADV021815

9/04

TAB: Lazer Lampholders and Track Sheet 8

Note: Specifications and Dimensions subject to change without notice.

Visit our web site at [www.cooperlighting.com](http://www.cooperlighting.com)