

## DESCRIPTION

The RF LED Surface Heads Series provides remote heads (no battery) manufactured in high impact, mar-resistant engineering grade thermoplastic. A highly polished reflector located behind the lamp provides abundant emergency light to the floor when connected to an emergency battery source. Several finishes and lamp styles are available.

<b>Catalog #</b>		<b>Type</b>
<b>Project</b>		
<b>Comments</b>		<b>Date</b>
<b>Prepared by</b>		

## SPECIFICATION FEATURES

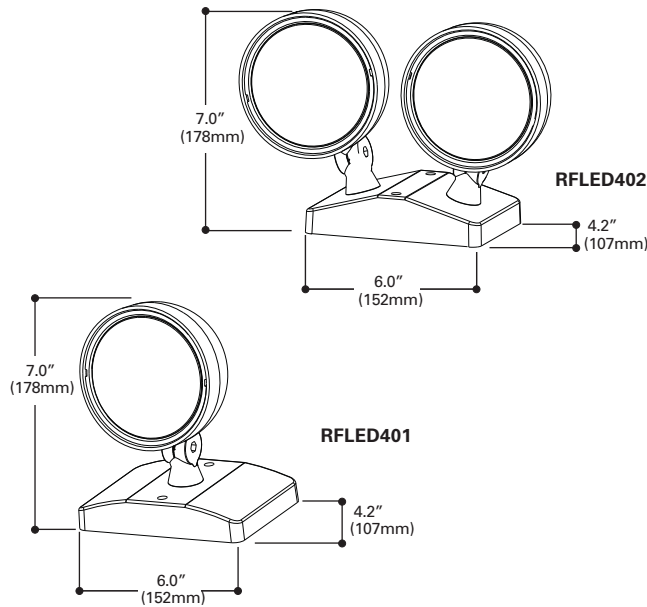
**Electrical**  
LED Remote Heads

**Lampholder/Mounting Plate Construction**

- Choose single, or double
- Adjustable 359° swivel
- White finish standard
- Mounts to standard 4" round junction box

**Lamp Data**

- High lumen output equal to 9W incandescent



## RIVAL LED REMOTE HEADS

SURFACE MOUNT HEAD  
LESS BATTERY  
THERMO PLASTIC  
LED LAMPS  
EMERGENCY LIGHTING

## ORDERING INFORMATION

Catalog No. Prefix	No. of Heads	Ship Wt.
RFLED401	1	2
RFLED402	2	4