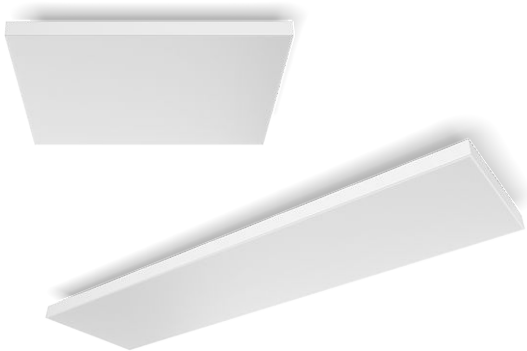


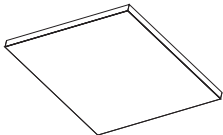
**PHILIPS**

**hue** personal  
wireless  
lighting

Datura



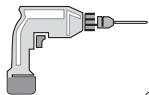
User manual  
Notice d'emploi  
Manual de usuario

**A**

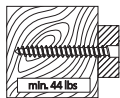
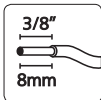
3x



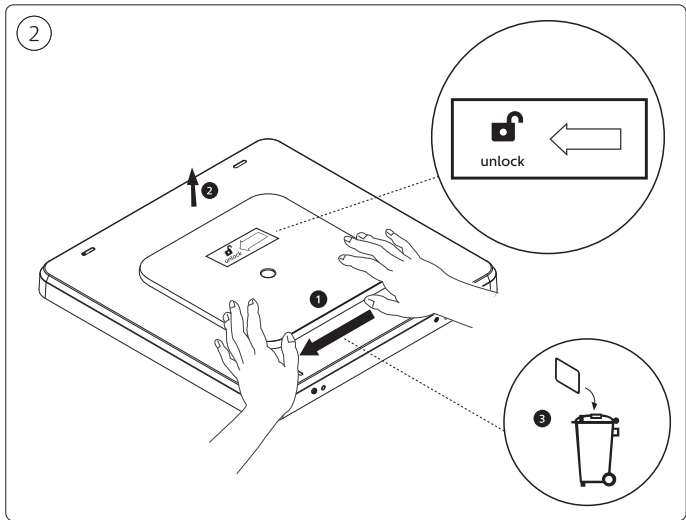
Excl.



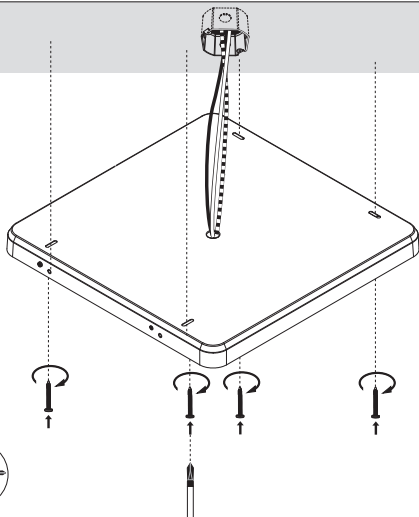
wood | bois

 $\varnothing 0.2''/\text{po}$  $\varnothing > 0.3''/\text{po}$ **B**

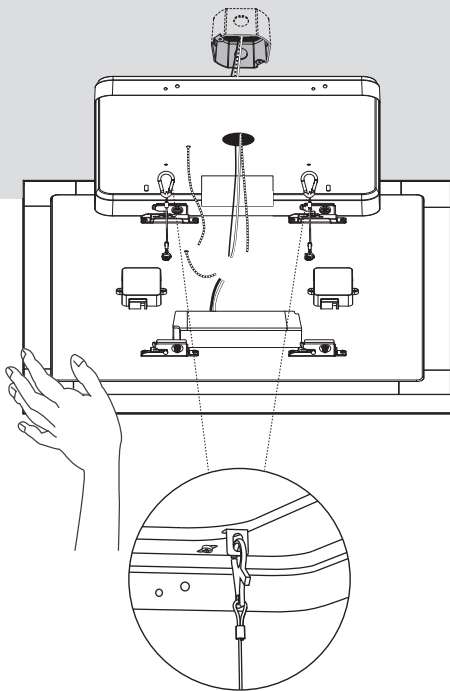




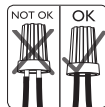
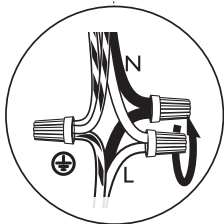
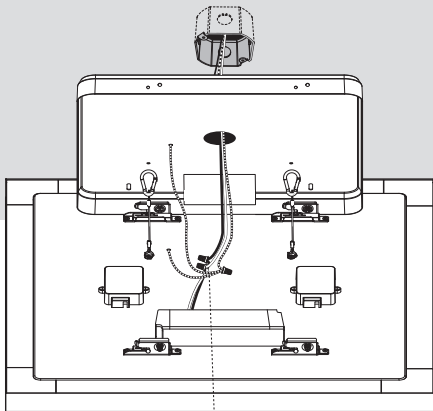
3

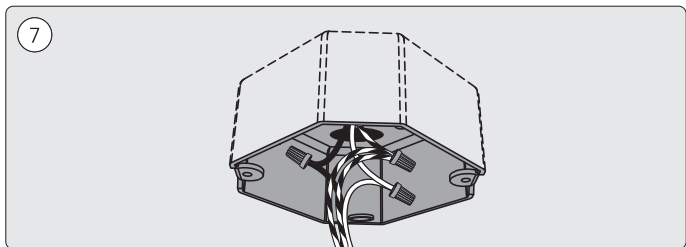
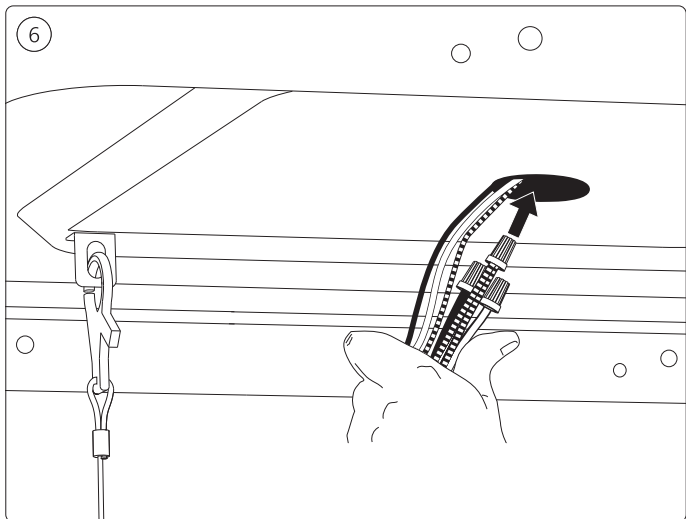


4

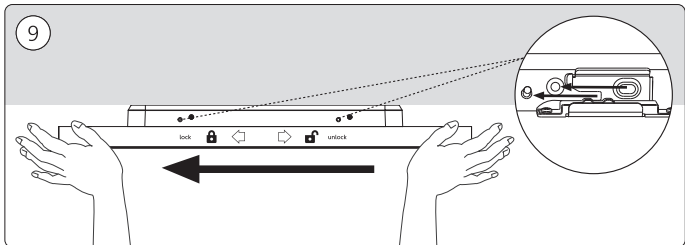
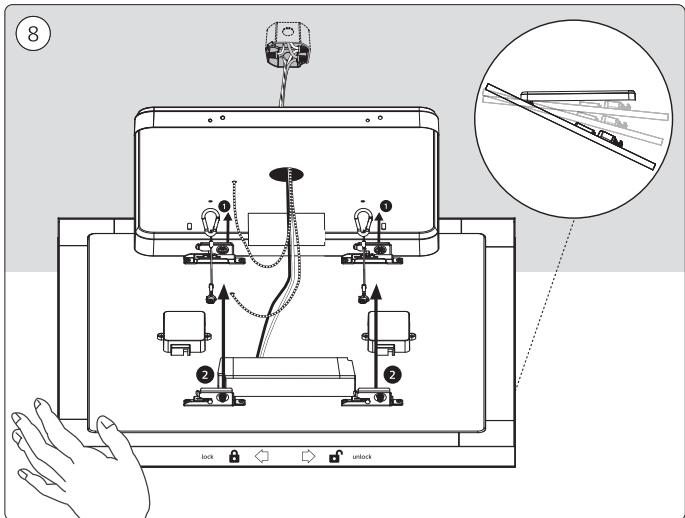


5

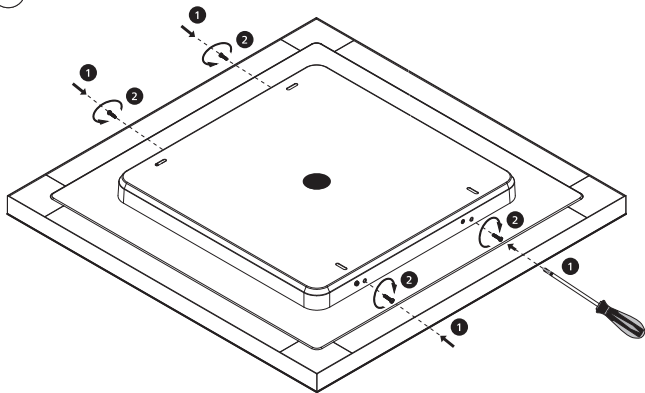


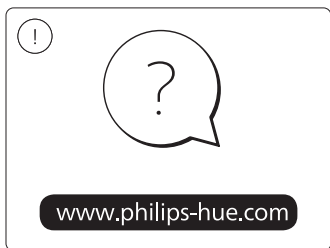
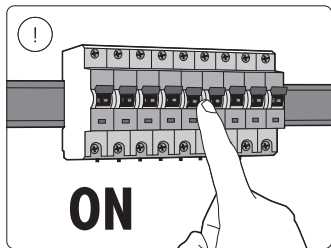






10







Signify North America Corporation  
400 Crossing Blvd., Suite 600 Bridgewater, NJ 08807, USA

Signify Canada Ltd./Signify Canada Ltée.  
281 Hillmount Road,  
Markham, ON, Canada L6C 2S3

Questions or Comments |  
Questions ou commentaires :  
1-800-555-0050

Importado y/o distribuido en México por: Signify Mexico S.A. De C.V.  
Av. La Palma No. 6,  
La Herradura, Huixquilucan,  
Edo de México, C.P. 52784, México  
RFC PME-620620-E84

Centro de contacto:  
800-508-9000

[www.philips-hue.com](http://www.philips-hue.com)

442296469971

© 2024 Signify Holding  
All rights reserved  
Last update: 03/2024

