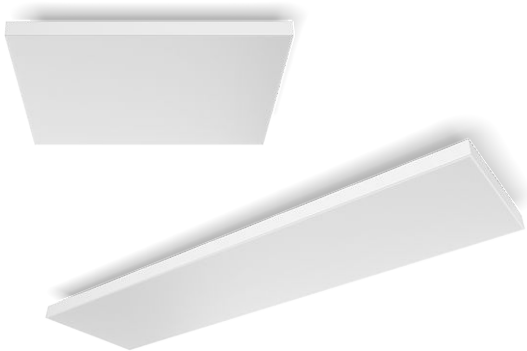


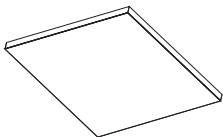
PHILIPS

hue personal
wireless
lighting

Datura



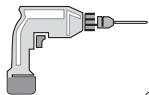
User manual
Notice d'emploi
Manual de usuario

A

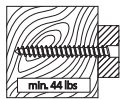
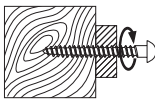
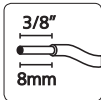
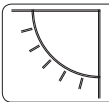
3x

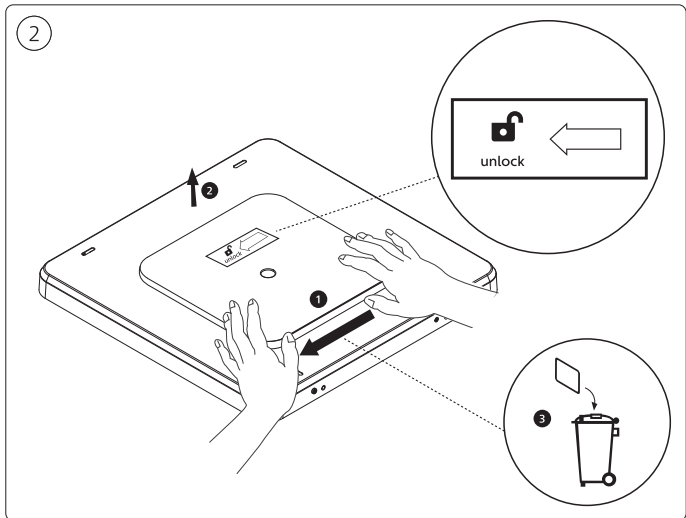


Excl.

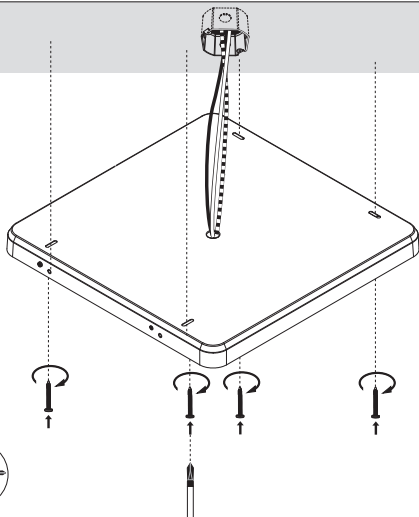


wood | bois

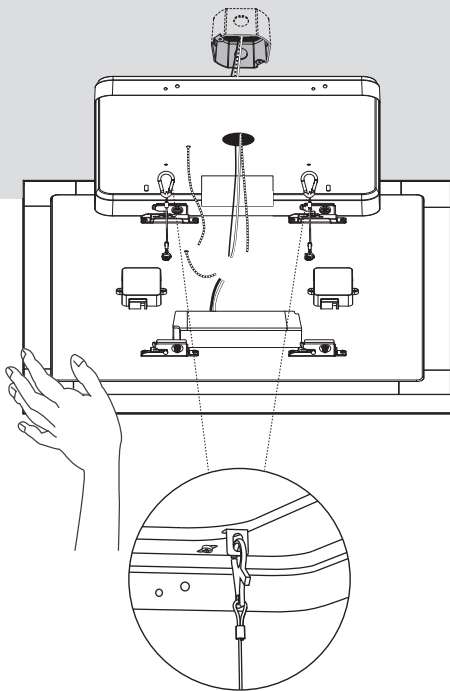
 $\varnothing 0.2''/\text{po}$  $\varnothing > 0.3''/\text{po}$ **B**



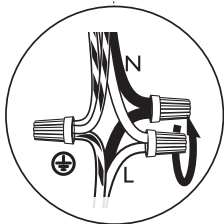
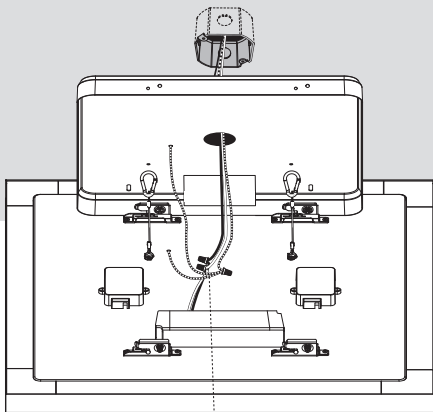
3

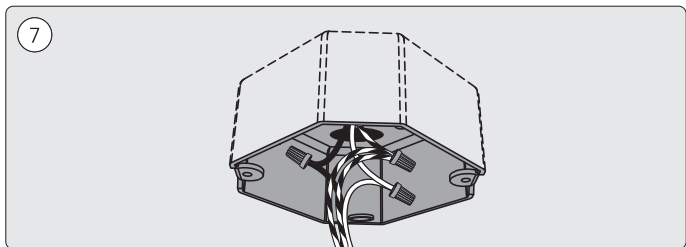
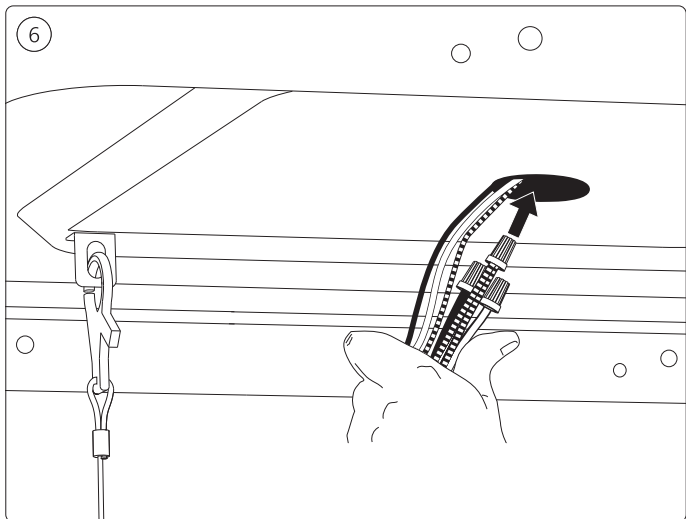


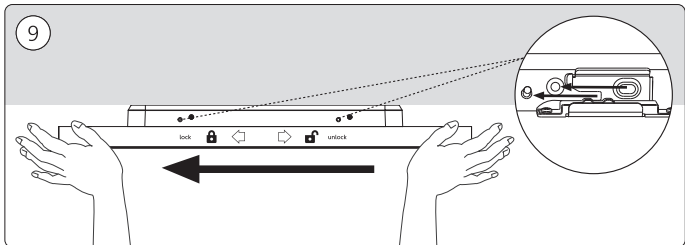
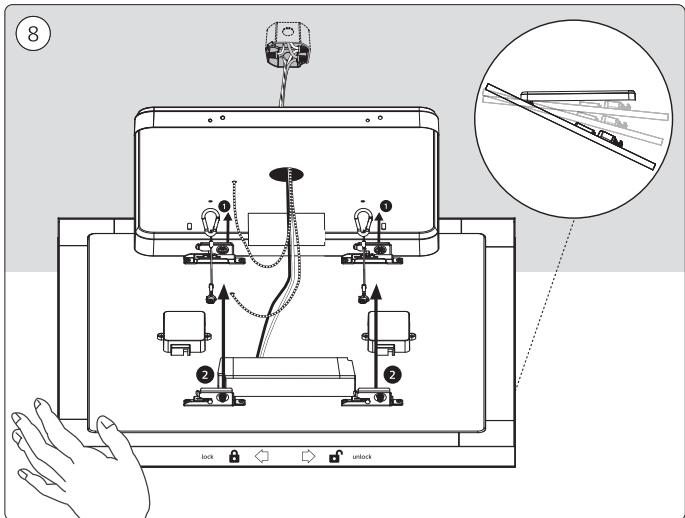
4



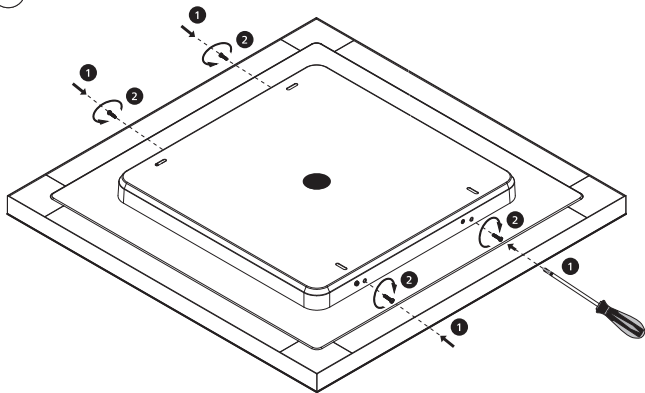
5

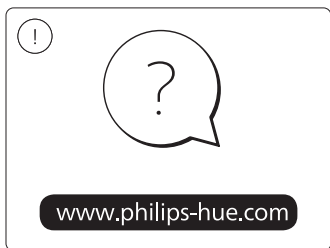
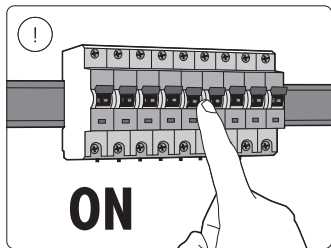






10







Signify North America Corporation
400 Crossing Blvd., Suite 600 Bridgewater, NJ 08807, USA

Signify Canada Ltd./Signify Canada Ltée.
281 Hillmount Road,
Markham, ON, Canada L6C 2S3

Questions or Comments |
Questions ou commentaires :
1-800-555-0050

Importado y/o distribuido en México por: Signify Mexico S.A. De C.V.
Av. La Palma No. 6,
La Herradura, Huixquilucan,
Edo de México, C.P. 52784, México
RFC PME-620620-E84

Centro de contacto:
800-508-9000

www.philips-hue.com

442296469971

© 2024 Signify Holding
All rights reserved
Last update: 03/2024

