

Project		Catalog #		Type	
Prepared by		Notes		Date	



# AtLite

## AtLite Mini Series

Emergency Lighting, Sheet Metal Housing  
Nickel Cadmium Battery, LED Source

### Typical Applications

Office • Education • Healthcare • Hospitality • Retail

### Interactive Menu

- Order Information [page 2](#)
- Product Specification [page 2](#)

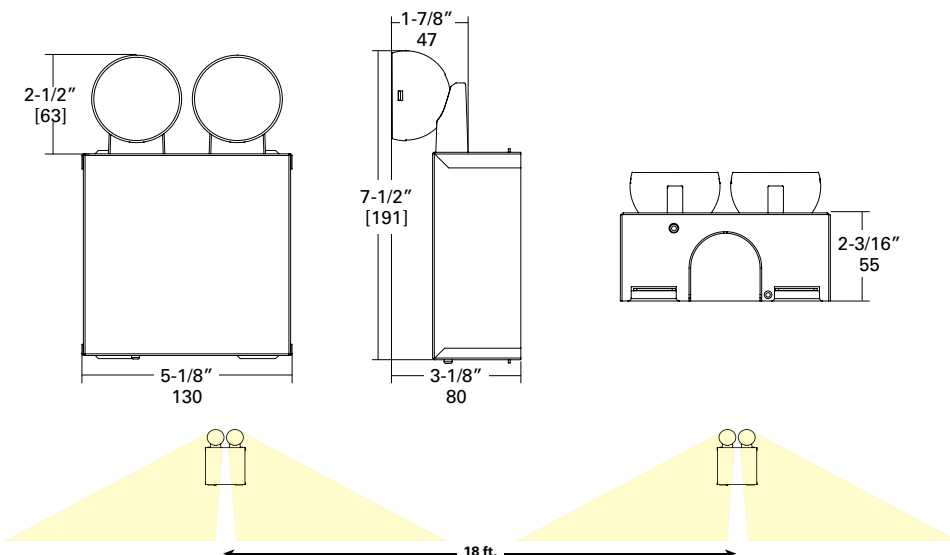
### Product Certification



### Top Product Features

- UL924 and NYC code compliant LED emergency light
- Two LED 65 lumen heads provide up to 18 feet of egress coverage
- Easy to install
- Small form factor provides minimal presence in the space
- Long life, no maintenance nickel cadmium batteries provide minimum of 90 minutes emergency power

### Dimensional and Mounting Details



#### Emergency Egress Coverage

Path Width	2 Head
3 feet wide	18 feet
6 feet wide	15 feet

#### Electrical Ratings

Model	DC Voltage	1.5 Hours
ATLEMINI-2H	3.6 volts	1.5 watts

## Ordering Information

SAMPLE ORDER NUMBER: **ATLEMINI-2H**

Series	Battery	Remote Heads Powered	Catalog numbers
Series	Battery	Remote Heads Powered	Catalog numbers
ATLE= AtLite LED emergency	Mini= J-box size	2H= two heads	ATLEMINI-2H

## Energy and Performance Data

Input Power	Input Current (Max.)
120V= .33W 277V= .47W	120V= .06A 277V= .07A

## Product Specifications

### Electrical

- Dual Voltage Input 120/277VAC, 60Hz
- Line-latching
- Brownout circuit
- Low Voltage Disconnect
- Overload/Short Circuit Protection
- Test Switch/Power connector facilitates installation
- 3.6V, .78W DC Long Lasting LED Heads
- 240V capable with 48 hr recharge

### Housing Construction

- Sheet metal housing with white finish
- J-box and conduit knockouts for easy installation
- Suitable for wall or ceiling mount applications
- Universal J-box mounting pattern
- Keyhole mounting slots
- Available in white color

### Battery

- Sealed nickel cadmium
- Maintenance-free, long-life
- Full recharge time: 24 hrs (max.) 48 hrs for 240V
- Polarized battery terminals

### Code Compliance

- UL 924 Damp Location Listed
- Life Safety NFPA 101
- NEC/OSHA
- Operating temperature range 10 °C to 40 °C
- California Energy Code compliant
- Complies with City of New York Building Code

### Head/Lamp Data

- Long Life LED Emergency Heads
- Fully adjustable
- High impact thermoplastic
- Matches housing finish

### Warranty

- Five-year limited warranty
- Seven-year prorated battery warranty

## Technical Data

### LED Heads

- The polycarbonate 65 lumen LED heads are fully adjustable to enable wall or ceiling mount applications.

### Housing Construction

- The AtLite Mini-series housing is made of 20 gauge sheet metal. It has a conduit access point along with a full J-box knock out pattern on the back of the fixture to enable wall or ceiling mount.

### Line-Latched

- AtLite Mini-Series line-latched electronic circuitry makes installation easy and economical.
- A labor efficient AC-activated load switch prevents the lamps from turning on during installation to a non-energized AC circuit.
- Linelatching eliminates the need for a contractor's return to a job site to connect the batteries when the building's main power is permanently turned on.

### Solid-State Charger

- The AtLite Mini-Series is supplied with a 120/240/277 VAC, voltage regulated solid-state charger.
- Upon restoration of AC current after a power failure, the charger provides a high charge rate.
- The charge circuit reacts to the condition of the battery and alters the rate of charge in order to maintain peak battery capacity and maximize battery life.
- Solid-state construction recharges the battery following a power failure in accordance with UL 924.

### Brownout Circuit

- The brownout circuit in AtLite Emergency units monitor the flow of AC current to the unit and activates the emergency lighting system when a predetermined reduction of AC power occurs.
- This dip in voltage will cause most ballasted fixtures to extinguish causing loss of normal lighting even though a total power failure has not occurred.

### Low Voltage Disconnect

- When the battery's terminal voltage falls below 80% of the rated voltage, the low voltage circuitry disconnects the lighting load.
- The disconnect remains in effect until normal utility power is restored, preventing deep battery discharge.

### Test Switch/Power Indicator Light

- A test switch permits the activation of the emergency circuit for a complete operational system check.
- The Power Indicator Light provides assurance that the AC power is on.

### Sealed Nickel Cadmium Battery

- AtLite Emergency sealed nickel cadmium batteries are maintenance free with a life expectancy of 10 years.
- The sealed rechargeable nickel cadmium battery offers high discharge rates and stable performance over a wide range of temperatures.

### Warranty

- AtLite LED Emergency products are backed by a five-year limited product warranty and a seven-year prorated battery warranty.