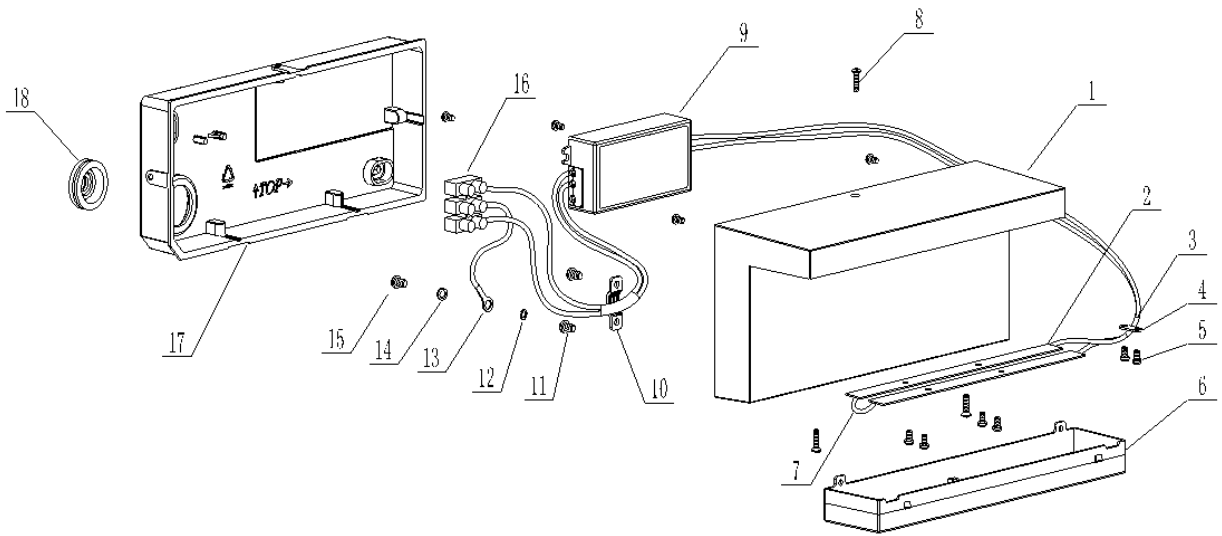


Dismantling Recommendation on Disposal at End of Life

Composition Explanation



No.	Components	Specifications	Unit	Quantity
1	17OU1-16483E body	ADC12	PCS	1
2	YL20-6-8DB4W-C007-827		PCS	2
3	φ5 heat shrink tube		M	0.06
4	Strain relief	PA6	PCS	1
5	M3*5 screw	Zinc coated	PCS	10
6	17OU1-16483E diffuser	PC	PCS	1
7	VED white wire	H05S-K 1*0.5MM2	PCS	1
8	BT3*10 screw	SS 304	PCS	3
9	PYS-10-350 10W driver		PCS	1
10	Strain relief	PC	PCS	1
11	M4*6 screw	Zinc coated	PCS	2
12	φ4 teeth washer	Zinc coated	PCS	1
13	Earthing wire		PCS	1
14	φ4 spring washer	SS	PCS	1
15	M4*8 screw	Zinc coated	PCS	1
16	Terminal block	PA10	PCS	1
17	17OU1-16483E wall plate	ABS	PCS	1
18	φ27 gromet	TPE	PCS	1

Dismantling Recommendation on Disposal at End of Life

Dismantling

- Type: Without permanent damage

Recommendation on Disposal

- Plastic part: Reuse and Recycling
- Electrical part: Incineration and disposal
- Metal part: Recycling

Light source dismantling process

