

Catalog #		Date		Prepared by	
Project		Type		Notes	



HALO

L815 Stasis Medium

With sleek, simple geometric profiles and high-performance optics, and a full range of beam angles in 3 different sizes, Stasis provides just the right accent to any high-end application.

Typical Applications

Education • Hospitality • Retail

Interactive Menu

- Order Information page 3
- Photometric Data page 5
- Product Warranty

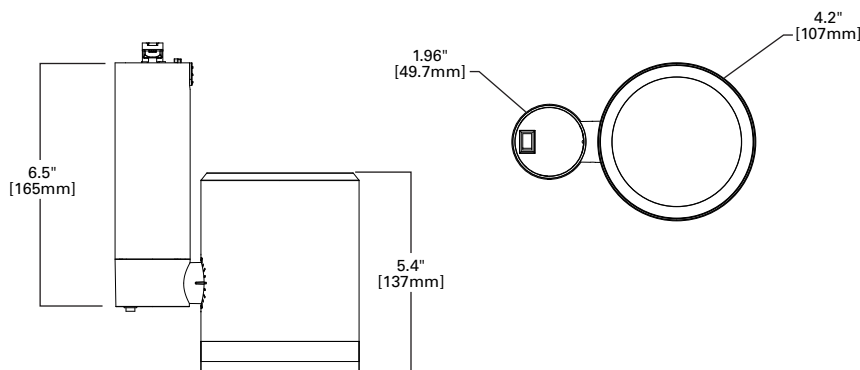
Product Certification



Top Product Features

- Interchangeable, wide selection of beam patterns that meets any accent lighting application.
- Sleek cylindrical design
- Low-Glare chip-on-board optics

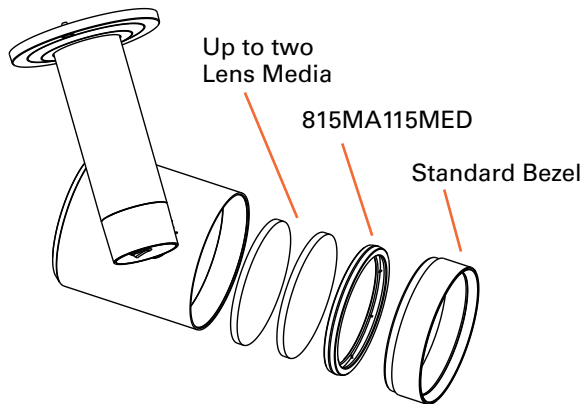
Dimensional and Mounting Details



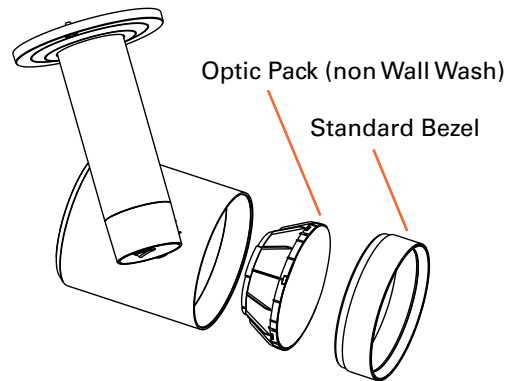
Stasis Accessory Diagram

Stasis comes with several accessories to customize lighting environments. Achieve more cutoff with a snoot, change out an optic on an existing install, or add more media capability with the media holder. Stasis provides an array of avenues for lighting designers to create unique accents.

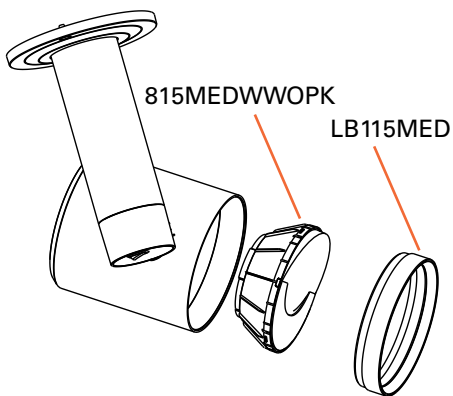
Normal Configuration with Media



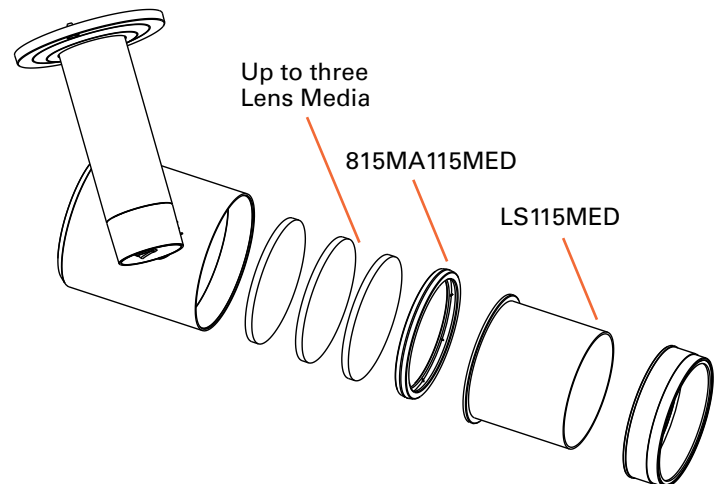
Spare Optic



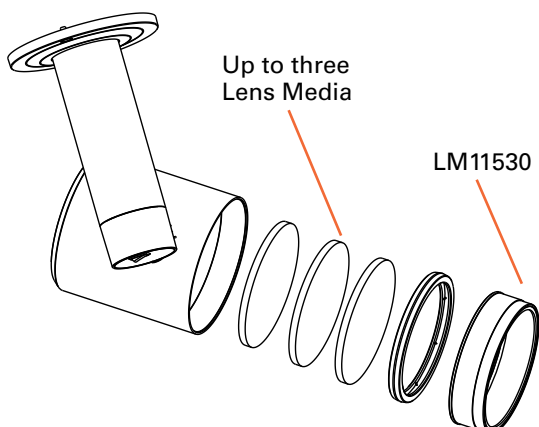
Wall Wash Spare Optic



Snoot and Media



Media Holder



Order Information

1000 Lumen Options

Cat logic	Lumens (Nominal)	CCT	Installed Optic (Field interchangeable accessory optics available)	Finish	Track Compatibility
L815MED10NF930MB	1000 lm	3000K	25° Narrow Flood	Matte Black	LAZER and 1 and 2 circuit Power Trac
L815MED10FL930MB	1000 lm	3000K	45° Flood	Matte Black	
L815MED10FL935MB	1000 lm	3500K	45° Flood	Matte Black	
L815MED10FL940MB	1000 lm	4000K	45° Flood	Matte Black	
L815MED10NF927P	1000 lm	2700K	25° Narrow Flood	White	
L815MED10NF930P	1000 lm	3000K	25° Narrow Flood	White	
L815MED10FL930P	1000 lm	3000K	45° Flood	White	
L815MED10WW930P	1000 lm	3000K	Wall Wash	White	
L815MED10 35P	1000 lm	3500K	25° Narrow Flood	White	
L815MED10FL935P	1000 lm	3500K	45° Flood	White	
L2G815MED10WF930MB	1000 lm	3000K	60° Wide Flood	Matte Black	Global TEK (120V)
L2G815MED10NF935MB277	1000 lm	3500K	25° Narrow Flood	Matte Black	Global HTEK (277V)
L2G815MED10FL930P277	1000 lm	3000K	45° Flood	White	Global HTEK (277V)
L2G815MED10NF935P277	1000 lm	3500K	25° Narrow Flood	White	Global HTEK (277V)

SKUS available starting April 2025 while supplies last. Please check PRISM for current inventory availability.

2000 Lumen Options

Cat logic	Lumens (Nominal)	CCT	Installed Optic (Field interchangeable accessory optics available)	Finish	Track Compatibility	
L815MED20FL927MB	2000 lm	2700K	45° Flood	Matte Black	LAZER and 1 and 2 circuit Power Trac	
L815MED20NF930MB	2000 lm	3000K	25° Narrow Flood	Matte Black		
L815MED20FL930MB	2000 lm	3000K	45° Flood	Matte Black		
L815MED20WF930MB	2000 lm	3000K	60° Wide Flood	Matte Black		
L815MED20NF935MB	2000 lm	3500K	25° Narrow Flood	Matte Black		
L815MED20FL935MB	2000 lm	3500K	45° Flood	Matte Black		
L815MED20NF940MB	2000 lm	4000K	25° Narrow Flood	Matte Black		
L815MED20FL940MB	2000 lm	4000K	45° Flood	Matte Black		
L815MED20NF927P	2000 lm	2700K	25° Narrow Flood	White		
L815MED20NF930P	2000 lm	3000K	25° Narrow Flood	White		
L815MED20FL930P	2000 lm	3000K	45° Flood	White		
L815MED20WF930P	2000 lm	3000K	60° Wide Flood	White		
L815MED20SP935P	2000 lm	3500K	15° Spot	White		
L815MED20NF935P	2000 lm	3500K	25° Narrow Flood	White		
L815MED20FL935P	2000 lm	3500K	45° Flood	White		
L815MED20WF935P	2000 lm	3500K	60° Wide Flood	White		
L815MED20NF940P	2000 lm	4000K	25° Narrow Flood	White		
L815MED20FL940P	2000 lm	4000K	45° Flood	White		
L2G815MED20FL930MB277	2000 lm	3000K	45° Flood	Matte Black		Global HTEK (277V)
L2G815MED20SP935P	2000 lm	3500K	15° Spot	White		Global TEK (120V)
L2G815MED20FL935P	2000 lm	3500K	45° Flood	White	Global TEK (120V)	
L2G815MED20FL940P277	2000 lm	4000K	45° Flood	White	Global HTEK (277V)	

SKUS available starting April 2025 while supplies last. Please check PRISM for current inventory availability.

Order Information

3000 Lumen Options

Cat logic	Lumens (Nominal)	CCT	Installed Optic (Field interchangeable accessory optics available)	Finish	Track Compatibility
L815MED30NF930MB	3000 lm	3000K	25° Narrow Flood	Matte Black	LAZER and 1 and 2 circuit Power Trac
L815MED30FL930MB	3000 lm	3000K	45° Flood	Matte Black	
L815MED30WF930MB	3000 lm	3000K	60° Wide Flood	Matte Black	
L815MED30FL935MB	3000 lm	3500K	45° Flood	Matte Black	
L815MED30WF935MB	3000 lm	3500K	60° Wide Flood	Matte Black	
L815MED30NF940MB	3000 lm	4000K	25° Narrow Flood	Matte Black	
L815MED30FL940MB	3000 lm	4000K	45° Flood	Matte Black	
L815MED30NF927P	3000 lm	2700K	25° Narrow Flood	White	
L815MED30FL927P	3000 lm	2700K	45° Flood	White	
L815MED30SP930P	3000 lm	3000K	15° Spot	White	
L815MED30NF930P	3000 lm	3000K	25° Narrow Flood	White	
L815MED30WF930P	3000 lm	3000K	60° Wide Flood	White	
L815MED30FL935P	3000 lm	3500K	45° Flood	White	
L2G815MED30NF935MB277	3000 lm	3500K	25° Narrow Flood	Matte Black	
L2G815MED30WF935MB	3000 lm	3500K	60° Wide Flood	Matte Black	Global TEK (120V)
L2G815MED30NF940MB277	3000 lm	4000K	25° Narrow Flood	Matte Black	Global HTEK (277V)
L2G815MED20FL940P277	2000 lm	4000K	45° Flood	White	Global HTEK (277V)

SKUS available starting April 2025 while supplies last. Please check PRISM for current inventory availability.

Stasis 815 Medium - Optical Accessories	
All fixtures can be converted to other optical distributions using field interchangeable accessory optics	
815MEDWFOPK	60° Wide Flood Optic
815MEDFLOPK	45° Flood Optic
815MEDNFOPK	25° Narrow Flood Optic
815MEDSPOPK	15° Spot Optic
815MEDNSOPK	8° Narrow Spot Optic
815MEDWWOPKMB	Wall Wash Optic (includes optic and wall wash bezel), Matte Black
815MEDWWOPKP	Wall Wash Optic (includes optic and wall wash bezel), Matte White

SKUS available starting April 2025 while supplies last. Please check PRISM for current inventory availability.

Product Specifications

Aiming

- Full aiming capable.
- Can pivot +/-90° vertically and horizontally without adjusting track position.
- Graduations every 15° for precise and repeatable tilt aiming.
- Alignment Indicator mark on the bottom.

Design

- All-metal smooth cylindrical can shape.
- Encased heat sink allows for sleeker aesthetics.
- Available in white, black, and silver finishes.

Optics & Light Engine

- Available in multiple beam distributions including wall wash.
- Equipped with 1 chip-on-board LED.
- Low-glare polycarbonate lens
- Removable bezel allows for interchangeable optics
- Accommodates up to 2 pieces of additional PAR20 media when media holder utilized
- Light output maintains above 70% past 50,000 hours.

Electrical

- Universal 120 – 277V*, 50/60 Hz driver. *277V available only with 277V Global track
- Individual on/off control is possible with the integral on/off switch provided.

Dimming

- Compatible with select TRIAC and ELV dimmers down to 5%.
- Dimming only available with 120V configurations.

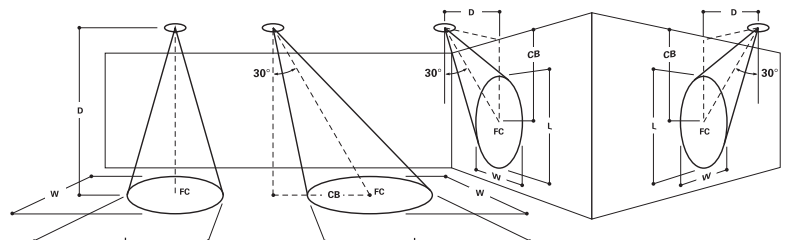
Warranty

- Five year limited warranty
- Consult website for details. cooperlighting.com

Photometric Data

Notes and Definitions:

Beam spread is to 50% center beam candlepower (CBCP).
 D=Distance in feet to floor or wall.
 FC=Footcandles on floor or wall at center beam aiming location.
 L=Effective Visual Beam length in feet (50% of maximum footcandle level.)
 W=Effective Visual Beam width in feet (50% of maximum footcandle level.)
 CB=Distance in feet across or down to center beam location.



Note: Refer to IES files for more product data.

Photometric Data

 [View IES files](#)

Narrow Spot (8 deg beam width), 1000 lumen

L815MED10NS930MB	Lumens	Watts	LPW	CCT	SC (0/90/45)
	1199 Lm	12.7 W	94.4 Lm/W	3000K	0.15 / 0.15 / 0.15

0 Deg Aiming Angle Horizontal Illuminance on Floor				
MH	FC	L	W	
5'	1089.4	0.6	0.6	
7.5'	484.2	1	1	
10'	272.4	1.4	1.4	
12.5'	174.3	1.8	1.8	
15'	121	2.2	2.2	

30 deg Aiming Angle Horizontal Illuminance on Floor					
MH	FC	L	W	CB	
5'	709.5	0.9	0.8	2.9	
7.5'	315.3	1.4	1.2	4.3	
10'	177.4	1.9	1.6	5.8	
12.5'	113.5	2.5	2.2	7.2	
15'	78.8	3	2.6	8.7	

30 deg Aiming Angle Vertical Illuminance on Wall					
D	FC	L	W	CB	
3'	402.4	1.6	0.8	5.2	
4'	226.4	2.1	1	6.9	
6'	100.6	3.3	1.6	10.4	
8'	56.6	4.4	2.2	13.9	
10'	36.2	5.6	2.8	17.3	

60 deg Aiming Angle Horizontal Illuminance on Floor					
MH	FC	L	W	CB	
5'	144.9	2.7	1.4	8.7	
7.5'	64.4	4.2	2.2	13	
10'	36.2	5.6	2.8	17.3	
12.5'	23.2	7	3.6	21.7	
15'	16.1	8.4	4.4	26	

60 deg Aiming Angle Vertical Illuminance on Wall					
D	FC	L	W	CB	
3'	1970.7	0.5	0.4	1.7	
4'	1108.5	0.7	0.6	2.3	
6'	492.7	1.1	1	3.5	
8'	277.1	1.5	1.4	4.6	
10'	177.4	1.9	1.6	5.8	

Spot (15 deg beam width), 1000 lumen

L815MED10SP930MB	Lumens	Watts	LPW	CCT	SC (0/90/45)
	1197 Lm	12.7 W	94.3 Lm/W	3000K	0.27 / 0.27 / 0.26

0 Deg Aiming Angle Horizontal Illuminance on Floor				
MH	FC	L	W	
5'	508.6	1.2	1.2	
7.5'	226.1	2	2	
10'	127.2	2.6	2.6	
12.5'	81.4	3.2	3.2	
15'	56.5	4	4	

30 deg Aiming Angle Horizontal Illuminance on Floor					
MH	FC	L	W	CB	
5'	340.8	1.6	1.4	2.9	
7.5'	151.5	2.5	2.2	4.3	
10'	85.2	3.3	3	5.8	
12.5'	54.5	4.2	3.6	7.2	
15'	37.9	5.1	4.4	8.7	

30 deg Aiming Angle Vertical Illuminance on Wall					
D	FC	L	W	CB	
3'	213.4	2.4	1.4	5.2	
4'	120.1	3.3	1.8	6.9	
6'	53.4	4.9	2.8	10.4	
8'	30	6.6	3.8	13.9	
10'	19.2	8.3	4.8	17.3	

60 deg Aiming Angle Horizontal Illuminance on Floor					
MH	FC	L	W	CB	
5'	76.8	4.1	2.4	8.7	
7.5'	34.1	6.2	3.6	13	
10'	19.2	8.1	4.8	17.3	
12.5'	12.3	10	6	21.7	
15'	8.5	11.9	7.2	26	

60 deg Aiming Angle Vertical Illuminance on Wall					
D	FC	L	W	CB	
3'	946.8	1	0.8	1.7	
4'	532.5	1.3	1.2	2.3	
6'	236.7	2	1.8	3.5	
8'	133.1	2.6	2.4	4.6	
10'	85.2	3.3	3	5.8	

Narrow Flood (25 deg beam width), 1000 lumen

L815MED10NF930MB	Lumens	Watts	LPW	CCT	SC (0/90/45)
	1226 Lm	12.7 W	96.5 Lm/W	3000K	0.43 / 0.43 / 0.39

0 Deg Aiming Angle Horizontal Illuminance on Floor				
MH	FC	L	W	
5'	234.2	2	2	
7.5'	104.1	3.2	3.2	
10'	58.5	4.2	4.2	
12.5'	37.5	5.2	5.2	
15'	26	6.4	6.4	

30 deg Aiming Angle Horizontal Illuminance on Floor					
MH	FC	L	W	CB	
5'	162.7	2.5	2.2	2.9	
7.5'	72.3	3.8	3.4	4.3	
10'	40.7	5.1	4.6	5.8	
12.5'	26	6.4	5.8	7.2	
15'	18.1	7.6	7	8.7	

30 deg Aiming Angle Vertical Illuminance on Wall					
D	FC	L	W	CB	
3'	121	2.9	2	5.2	
4'	68.1	3.9	2.6	6.9	
6'	30.3	5.9	4	10.4	
8'	17	7.8	5.4	13.9	
10'	10.9	9.8	6.8	17.3	

60 deg Aiming Angle Horizontal Illuminance on Floor					
MH	FC	L	W	CB	
5'	43.6	4.8	3.4	8.7	
7.5'	19.4	7.3	5.2	13	
10'	10.9	9.8	6.8	17.3	
12.5'	7	12.2	8.2	21.7	
15'	4.8	14.7	9.8	26	

60 deg Aiming Angle Vertical Illuminance on Wall					
D	FC	L	W	CB	
3'	452	1.5	1.4	1.7	
4'	254.2	2	1.8	2.3	
6'	113	3	2.8	3.5	
8'	63.6	4	3.8	4.6	
10'	40.7	5.1	4.6	5.8	

Flood (45 deg beam width), 1000 lumen

L815MED10FL930MB	Lumens	Watts	LPW	CCT	SC (0/90/45)
	1104 Lm	12.7 W	86.9 Lm/W	3000K	0.75 / 0.75 / 0.66

0 Deg Aiming Angle Horizontal Illuminance on Floor				
MH	FC	L	W	
5'	75.9	3.6	3.6	
7.5'	33.7	5.6	5.6	
10'	19	7.4	7.4	
12.5'	12.1	9.4	9.4	
15'	8.4	11.2	11.2	

30 deg Aiming Angle Horizontal Illuminance on Floor					
MH	FC	L	W	CB	
5'	59.1	3.7	4	2.9	
7.5'	26.3	5.7	6	4.3	
10'	14.8	7.6	8	5.8	
12.5'	9.5	9.5	10	7.2	
15'	6.6	11.5	12	8.7	

30 deg Aiming Angle Vertical Illuminance on Wall					
D	FC	L	W	CB	
3'	65.4	2.6	2.8	5.2	
4'	36.8	3.5	3.8	6.9	
6'	16.3	5.3	5.6	10.4	
8'	9.2	7	7.6	13.9	
10'	5.9	8.9	9.4	17.3	

60 deg Aiming Angle Horizontal Illuminance on Floor					
MH	FC	L	W	CB	
5'	23.5	4.4	4.6	8.7	
7.5'	10.5	6.7	7	13	
10'	5.9	8.9	9.4	17.3	
12.5'	3.8	11.1	11.6	21.7	
15'	2.6	13.1	13.6	26	

60 deg Aiming Angle Vertical Illuminance on Wall					
D	FC	L	W	CB	
3'	164.1	2.2	2.4	1.7	
4'	92.3	2.9	3.2	2.3	
6'	41	4.5	4.8	3.5	
8'	23.1	6	6.4	4.6	
10'	14.8	7.6	8	5.8	

Wide Flood (60 deg beam width), 1000 lumen

L815MED10WF930MB	Lumens	Watts	LPW	CCT	SC (0/90/45)
	1170 Lm	12.7 W	92.1 Lm/W	3000K	0.96 / 0.96 / 0.88

0 Deg Aiming Angle Horizontal Illuminance on Floor				
MH	FC	L	W	
5'	52.5	4.8	4.8	
7.5'	23.3	7.2	7.2	
10'	13.1	9.6	9.6	
12.5'	8.4	12	12	
15'	5.8	14.4	14.4	

30 deg Aiming Angle Horizontal Illuminance on Floor					
MH	FC	L	W	CB	
5'	43.7	4.4	4.8	2.9	
7.5'	19.4	6.6	7.2	4.3	
10'	10.9	8.9	9.6	5.8	
12.5'	7	11	12.2	7.2	
15'	4.9	13.3	14.6	8.7	

30 deg Aiming Angle Vertical Illuminance on Wall					
D	FC	L	W	CB	
3'	57.3	2.6	3.2	5.2	
4'	32.2	3.5	4.2	6.9	
6'	14.3	5.4	6.4	10.4	
8'	8.1	7.2	8.6	13.9	
10'	5.2	9.1	10.8	17.3	

60 deg Aiming Angle Horizontal Illuminance on Floor					
MH	FC	L	W	CB	
5'	20.6	4.5	5.4	8.7	
7.5'	9.2	6.8	8.2	13	
10'	5.2	9	10.6	17.3	
12.5'	3.3	11.1	13	21.7	
15'	2.3	13.2	15.4	26	

60 deg Aiming Angle Vertical Illuminance on Wall					
D	FC	L	W	CB	
3'	121.4	2.5	2.8	1.7	
4'	68.3	3.4	3.8	2.3	
6'	30.3	5.1	5.8	3.5	
8'	17.1	6.9	7.8	4.6	
10'	10.9	8.6	9.6	5.8	

Photometric Data

 [View IES files](#)

Narrow Spot (8 deg beam width), 2000 lumen

L815MED20NS930MB	Lumens	Watts	LPW	CCT	SC (0/90/45)
	2111 Lm	24.7 W	85.5 Lm/W	3000K	0.15 / 0.15 / 0.15

0 Deg Aiming Angle Horizontal Illuminance on Floor				
MH	FC	L	W	
5'	1918.3	0.6	0.6	
7.5'	852.6	1	1	
10'	479.6	1.4	1.4	
12.5'	306.9	1.8	1.8	
15'	213.1	2.2	2.2	

30 deg Aiming Angle Horizontal Illuminance on Floor					
MH	FC	L	W	CB	
5'	1249.3	0.9	0.8	2.9	
7.5'	555.2	1.4	1.2	4.3	
10'	312.3	1.9	1.6	5.8	
12.5'	199.9	2.5	2.2	7.2	
15'	138.8	3	2.6	8.7	

30 deg Aiming Angle Vertical Illuminance on Wall					
D	FC	L	W	CB	
3'	708.6	1.6	0.8	5.2	
4'	398.6	2.1	1	6.9	
6'	177.2	3.3	1.6	10.4	
8'	99.6	4.4	2.2	13.9	
10'	63.8	5.6	2.8	17.3	

60 deg Aiming Angle Horizontal Illuminance on Floor					
MH	FC	L	W	CB	
5'	255.1	2.7	1.4	8.7	
7.5'	113.4	4.2	2.2	13	
10'	63.8	5.6	2.8	17.3	
12.5'	40.8	7	3.6	21.7	
15'	28.3	8.4	4.4	26	

60 deg Aiming Angle Vertical Illuminance on Wall					
D	FC	L	W	CB	
3'	3470.2	0.5	0.4	1.7	
4'	1952	0.7	0.6	2.3	
6'	867.5	1.1	1	3.5	
8'	488	1.5	1.4	4.6	
10'	312.3	1.9	1.6	5.8	

Spot (15 deg beam width), 2000 lumen

L815MED20SP930MB	Lumens	Watts	LPW	CCT	SC (0/90/45)
	2109 Lm	24.7 W	85.4 Lm/W	3000K	0.27 / 0.27 / 0.26

0 Deg Aiming Angle Horizontal Illuminance on Floor				
MH	FC	L	W	
5'	895.6	1.2	1.2	
7.5'	398.1	2	2	
10'	223.9	2.6	2.6	
12.5'	143.3	3.2	3.2	
15'	99.5	4	4	

30 deg Aiming Angle Horizontal Illuminance on Floor					
MH	FC	L	W	CB	
5'	600.2	1.6	1.4	2.9	
7.5'	266.7	2.5	2.2	4.3	
10'	150	3.3	3	5.8	
12.5'	96	4.2	3.6	7.2	
15'	66.7	5.1	4.4	8.7	

30 deg Aiming Angle Vertical Illuminance on Wall					
D	FC	L	W	CB	
3'	375.8	2.4	1.4	5.2	
4'	211.4	3.3	1.8	6.9	
6'	94	4.9	2.8	10.4	
8'	52.9	6.6	3.8	13.9	
10'	33.8	8.3	4.8	17.3	

60 deg Aiming Angle Horizontal Illuminance on Floor					
MH	FC	L	W	CB	
5'	135.3	4.1	2.4	8.7	
7.5'	60.1	6.2	3.6	13	
10'	33.8	8.1	4.8	17.3	
12.5'	21.6	10	6	21.7	
15'	15	11.9	7.2	26	

60 deg Aiming Angle Vertical Illuminance on Wall					
D	FC	L	W	CB	
3'	1667.1	1	0.8	1.7	
4'	937.8	1.3	1.2	2.3	
6'	416.8	2	1.8	3.5	
8'	234.4	2.6	2.4	4.6	
10'	150	3.3	3	5.8	

Narrow Flood (25 deg beam width), 2000 lumen

L815MED20NF930MB	Lumens	Watts	LPW	CCT	SC (0/90/45)
	2159 Lm	24.7 W	87.4 Lm/W	3000K	0.43 / 0.43 / 0.39

0 Deg Aiming Angle Horizontal Illuminance on Floor				
MH	FC	L	W	
5'	412.3	2	2	
7.5'	183.3	3.2	3.2	
10'	103.1	4.2	4.2	
12.5'	66	5.2	5.2	
15'	45.8	6.4	6.4	

30 deg Aiming Angle Horizontal Illuminance on Floor					
MH	FC	L	W	CB	
5'	286.5	2.5	2.2	2.9	
7.5'	127.3	3.8	3.4	4.3	
10'	71.6	5.1	4.6	5.8	
12.5'	45.8	6.4	5.8	7.2	
15'	31.8	7.6	7	8.7	

30 deg Aiming Angle Vertical Illuminance on Wall					
D	FC	L	W	CB	
3'	213.2	2.9	2	5.2	
4'	119.9	3.9	2.6	6.9	
6'	53.3	5.9	4	10.4	
8'	30	7.8	5.4	13.9	
10'	19.2	9.8	6.8	17.3	

60 deg Aiming Angle Horizontal Illuminance on Floor					
MH	FC	L	W	CB	
5'	76.7	4.8	3.4	8.7	
7.5'	34.1	7.3	5.2	13	
10'	19.2	9.8	6.8	17.3	
12.5'	12.3	12.2	8.2	21.7	
15'	8.5	14.7	9.8	26	

60 deg Aiming Angle Vertical Illuminance on Wall					
D	FC	L	W	CB	
3'	795.9	1.5	1.4	1.7	
4'	447.7	2	1.8	2.3	
6'	199	3	2.8	3.5	
8'	111.9	4	3.8	4.6	
10'	71.6	5.1	4.6	5.8	

Flood (45 deg beam width), 2000 lumen

L815MED20FL930MB	Lumens	Watts	LPW	CCT	SC (0/90/45)
	1944 Lm	24.7 W	78.7 Lm/W	3000K	0.75 / 0.75 / 0.66

0 Deg Aiming Angle Horizontal Illuminance on Floor				
MH	FC	L	W	
5'	133.7	3.6	3.6	
7.5'	59.4	5.6	5.6	
10'	33.4	7.4	7.4	
12.5'	21.4	9.4	9.4	
15'	14.9	11.2	11.2	

30 deg Aiming Angle Horizontal Illuminance on Floor					
MH	FC	L	W	CB	
5'	104.1	3.7	4	2.9	
7.5'	46.2	5.7	6	4.3	
10'	26	7.6	8	5.8	
12.5'	16.6	9.5	10	7.2	
15'	11.6	11.5	12	8.7	

30 deg Aiming Angle Vertical Illuminance on Wall					
D	FC	L	W	CB	
3'	115.1	2.6	2.8	5.2	
4'	64.8	3.5	3.8	6.9	
6'	28.8	5.3	5.6	10.4	
8'	16.2	7	7.6	13.9	
10'	10.4	8.9	9.4	17.3	

60 deg Aiming Angle Horizontal Illuminance on Floor					
MH	FC	L	W	CB	
5'	41.5	4.4	4.6	8.7	
7.5'	18.4	6.7	7	13	
10'	10.4	8.9	9.4	17.3	
12.5'	6.6	11.1	11.6	21.7	
15'	4.6	13.1	13.6	26	

60 deg Aiming Angle Vertical Illuminance on Wall					
D	FC	L	W	CB	
3'	289	2.2	2.4	1.7	
4'	162.6	2.9	3.2	2.3	
6'	72.3	4.5	4.8	3.5	
8'	40.6	6	6.4	4.6	
10'	26	7.6	8	5.8	

Wide Flood (60 deg beam width), 2000 lumen

L815MED20WF930MB	Lumens	Watts	LPW	CCT	SC (0/90/45)
	2061 Lm	24.7 W	83.4 Lm/W	3000K	0.96 / 0.96 / 0.88

0 Deg Aiming Angle Horizontal Illuminance on Floor				
MH	FC	L	W	
5'	92.4	4.8	4.8	
7.5'	41.1	7.2	7.2	
10'	23.1	9.6	9.6	
12.5'	14.8	12	12	
15'	10.3	14.4	14.4	

30 deg Aiming Angle Horizontal Illuminance on Floor					
MH	FC	L	W	CB	
5'	76.9	4.4	4.8	2.9	
7.5'	34.2	6.6	7.2	4.3	
10'	19.2	8.9	9.6	5.8	
12.5'	12.3	11	12.2	7.2	
15'	8.5	13.3	14.6	8.7	

30 deg Aiming Angle Vertical Illuminance on Wall					
D	FC	L	W	CB	
3'	100.9	2.6	3.2	5.2	
4'	56.8	3.5	4.2	6.9	
6'	25.2	5.4	6.4	10.4	
8'	14.2	7.2	8.6	13.9	
10'	9.1	9.1	10.8	17.3	

60 deg Aiming Angle Horizontal Illuminance on Floor					
MH	FC	L	W	CB	
5'	36.3	4.5	5.4	8.7	
7.5'	16.1	6.8	8.2	13	
10'	9.1	9	10.6	17.3	
12.5'	5.8	11.1	13	21.7	
15'	4	13.2	15.4	26	

60 deg Aiming Angle Vertical Illuminance on Wall					
D	FC	L	W	CB	
3'	213.7	2.5	2.8	1.7	
4'	120.2	3.4	3.8	2.3	
6'	53.4	5.1	5.8	3.5	
8'	30.1	6.9	7.8	4.6	
10'	19.2	8.6	9.6	5.8	

Photometric Data

 [View IES files](#)

Narrow Spot (8 deg beam width), 3000 lumen

L815MED30NS930MB	Lumens	Watts	LPW	CCT	SC (0/90/45)
	2766 Lm	37.7 W	73.4 Lm/W	3000K	0.15 / 0.15 / 0.15

0 Deg Aiming Angle Horizontal Illuminance on Floor				30 deg Aiming Angle Horizontal Illuminance on Floor					30 deg Aiming Angle Vertical Illuminance on Wall					60 deg Aiming Angle Horizontal Illuminance on Floor					60 deg Aiming Angle Vertical Illuminance on Wall				
MH	FC	L	W	MH	FC	L	W	CB	D	FC	L	W	CB	MH	FC	L	W	CB	D	FC	L	W	CB
5'	2513.9	0.6	0.6	5'	1637.1	0.9	0.8	2.9	3'	928.6	1.6	0.8	5.2	5'	334.3	2.7	1.4	8.7	3'	4547.5	0.5	0.4	1.7
7.5'	1117.3	1	1	7.5'	727.6	1.4	1.2	4.3	4'	522.3	2.1	1	6.9	7.5'	148.6	4.2	2.2	13	4'	2558	0.7	0.6	2.3
10'	628.5	1.4	1.4	10'	409.3	1.9	1.6	5.8	6'	232.2	3.3	1.6	10.4	10'	83.6	5.6	2.8	17.3	6'	1136.9	1.1	1	3.5
12.5'	402.2	1.8	1.8	12.5'	261.9	2.5	2.2	7.2	8'	130.6	4.4	2.2	13.9	12.5'	53.5	7	3.6	21.7	8'	639.5	1.5	1.4	4.6
15'	279.3	2.2	2.2	15'	181.9	3	2.6	8.7	10'	83.6	5.6	2.8	17.3	15'	37.1	8.4	4.4	26	10'	409.3	1.9	1.6	5.8

Spot (15 deg beam width), 3000 lumen

L815MED30SP930MB	Lumens	Watts	LPW	CCT	SC (0/90/45)
	2763 Lm	37.7 W	73.3 Lm/W	3000K	0.27 / 0.27 / 0.26

0 Deg Aiming Angle Horizontal Illuminance on Floor				30 deg Aiming Angle Horizontal Illuminance on Floor					30 deg Aiming Angle Vertical Illuminance on Wall					60 deg Aiming Angle Horizontal Illuminance on Floor					60 deg Aiming Angle Vertical Illuminance on Wall				
MH	FC	L	W	MH	FC	L	W	CB	D	FC	L	W	CB	MH	FC	L	W	CB	D	FC	L	W	CB
5'	1173.7	1.2	1.2	5'	786.5	1.6	1.4	2.9	3'	492.5	2.4	1.4	5.2	5'	177.3	4.1	2.4	8.7	3'	2184.7	1	0.8	1.7
7.5'	521.6	2	2	7.5'	349.5	2.5	2.2	4.3	4'	277	3.3	1.8	6.9	7.5'	78.8	6.2	3.6	13	4'	1228.9	1.3	1.2	2.3
10'	293.4	2.6	2.6	10'	196.6	3.3	3	5.8	6'	123.1	4.9	2.8	10.4	10'	44.3	8.1	4.8	17.3	6'	546.2	2	1.8	3.5
12.5'	187.8	3.2	3.2	12.5'	125.8	4.2	3.6	7.2	8'	69.3	6.6	3.8	13.9	12.5'	28.4	10	6	21.7	8'	307.2	2.6	2.4	4.6
15'	130.4	4	4	15'	87.4	5.1	4.4	8.7	10'	44.3	8.3	4.8	17.3	15'	19.7	11.9	7.2	26	10'	196.6	3.3	3	5.8

Narrow Flood (25 deg beam width), 3000 lumen

L815MED30NF930MB	Lumens	Watts	LPW	CCT	SC (0/90/45)
	2829 Lm	37.7 W	75 Lm/W	3000K	0.43 / 0.43 / 0.39

0 Deg Aiming Angle Horizontal Illuminance on Floor				30 deg Aiming Angle Horizontal Illuminance on Floor					30 deg Aiming Angle Vertical Illuminance on Wall					60 deg Aiming Angle Horizontal Illuminance on Floor					60 deg Aiming Angle Vertical Illuminance on Wall				
MH	FC	L	W	MH	FC	L	W	CB	D	FC	L	W	CB	MH	FC	L	W	CB	D	FC	L	W	CB
5'	540.3	2	2	5'	375.5	2.5	2.2	2.9	3'	279.3	2.9	2	5.2	5'	100.6	4.8	3.4	8.7	3'	1043	1.5	1.4	1.7
7.5'	240.2	3.2	3.2	7.5'	166.9	3.8	3.4	4.3	4'	157.1	3.9	2.6	6.9	7.5'	44.7	7.3	5.2	13	4'	586.7	2	1.8	2.3
10'	135.1	4.2	4.2	10'	93.9	5.1	4.6	5.8	6'	69.8	5.9	4	10.4	10'	25.1	9.8	6.8	17.3	6'	260.7	3	2.8	3.5
12.5'	86.5	5.2	5.2	12.5'	60.1	6.4	5.8	7.2	8'	39.3	7.8	5.4	13.9	12.5'	16.1	12.2	8.2	21.7	8'	146.7	4	3.8	4.6
15'	60	6.4	6.4	15'	41.7	7.6	7	8.7	10'	25.1	9.8	6.8	17.3	15'	11.2	14.7	9.8	26	10'	93.9	5.1	4.6	5.8

Flood (45 deg beam width), 3000 lumen

L815MED30FL930MB	Lumens	Watts	LPW	CCT	SC (0/90/45)
	2548 Lm	37.7 W	67.6 Lm/W	3000K	0.75 / 0.75 / 0.66

0 Deg Aiming Angle Horizontal Illuminance on Floor				30 deg Aiming Angle Horizontal Illuminance on Floor					30 deg Aiming Angle Vertical Illuminance on Wall					60 deg Aiming Angle Horizontal Illuminance on Floor					60 deg Aiming Angle Vertical Illuminance on Wall				
MH	FC	L	W	MH	FC	L	W	CB	D	FC	L	W	CB	MH	FC	L	W	CB	D	FC	L	W	CB
5'	175.2	3.6	3.6	5'	136.4	3.7	4	2.9	3'	150.9	2.6	2.8	5.2	5'	54.3	4.4	4.6	8.7	3'	378.8	2.2	2.4	1.7
7.5'	77.9	5.6	5.6	7.5'	60.6	5.7	6	4.3	4'	84.9	3.5	3.8	6.9	7.5'	24.1	6.7	7	13	4'	213.1	2.9	3.2	2.3
10'	43.8	7.4	7.4	10'	34.1	7.6	8	5.8	6'	37.7	5.3	5.6	10.4	10'	13.6	8.9	9.4	17.3	6'	94.7	4.5	4.8	3.5
12.5'	28	9.4	9.4	12.5'	21.8	9.5	10	7.2	8'	21.2	7	7.6	13.9	12.5'	8.7	11.1	11.6	21.7	8'	53.3	6	6.4	4.6
15'	19.5	11.2	11.2	15'	15.2	11.5	12	8.7	10'	13.6	8.9	9.4	17.3	15'	6	13.1	13.6	26	10'	34.1	7.6	8	5.8

Wide Flood (60 deg beam width), 3000 lumen

L815MED30WF930MB	Lumens	Watts	LPW	CCT	SC (0/90/45)
	2700 Lm	37.7 W	71.6 Lm/W	3000K	0.96 / 0.96 / 0.88

0 Deg Aiming Angle Horizontal Illuminance on Floor				30 deg Aiming Angle Horizontal Illuminance on Floor					30 deg Aiming Angle Vertical Illuminance on Wall					60 deg Aiming Angle Horizontal Illuminance on Floor					60 deg Aiming Angle Vertical Illuminance on Wall				
MH	FC	L	W	MH	FC	L	W	CB	D	FC	L	W	CB	MH	FC	L	W	CB	D	FC	L	W	CB
5'	121.1	4.8	4.8	5'	100.8	4.4	4.8	2.9	3'	132.3	2.6	3.2	5.2	5'	47.6	4.5	5.4	8.7	3'	280.1	2.5	2.8	1.7
7.5'	53.8	7.2	7.2	7.5'	44.8	6.6	7.2	4.3	4'	74.4	3.5	4.2	6.9	7.5'	21.2	6.8	8.2	13	4'	157.6	3.4	3.8	2.3
10'	30.3	9.6	9.6	10'	25.2	8.9	9.6	5.8	6'	33.1	5.4	6.4	10.4	10'	11.9	9	10.6	17.3	6'	70	5.1	5.8	3.5
12.5'	19.4	12	12	12.5'	16.1	11	12.2	7.2	8'	18.6	7.2	8.6	13.9	12.5'	7.6	11.1	13	21.7	8'	39.4	6.9	7.8	4.6
15'	13.5	14.4	14.4	15'	11.2	13.3	14.6	8.7	10'	11.9	9.1	10.8	17.3	15'	5.3	13.2	15.4	26	10'	25.2	8.6	9.6	5.8

Note: Refer to IES files for more product data.

Photometric Data

View IES files

Wall Wash, 1000 lumen

L815MED10WW930MB	Lumens	987 Lm	Watts	12.7 W	LPW	77.7 Lm/W
	CCT	SC (0/90/45)				
	3000K	0.44 / 0.77 / 0.63				

Single Unit Footcandles 2.5' from wall (distance from fixture along wall)							
DD	0	1	2	3	4	5	6
1'	4	3.1	1.2	0.3	0.1	0.1	0
2'	7.9	6.3	3.7	2	0.9	0.3	0.1
3'	7	6	4	2.4	1.4	0.9	0.5
4'	5.7	5	3.7	2.4	1.5	1	0.6
5'	4.4	4	3.2	2.2	1.5	1	0.6
6'	3.4	3.2	2.7	2	1.4	0.9	0.6
8'	2.1	2	1.8	1.5	1.1	0.8	0.6
10'	1.4	1.4	1.3	1.1	0.9	0.7	0.5

Multiple Unit Footcandles 2.5' from wall (spacing between fixtures)									
•	3	•	•	4	•				
4.3	4.4	4.3		4.1	2.4	4.1			
9.9	9.9	9.9		8.8	7.4	8.8			
9.4	10.2	9.4		8.5	8.1	8.5			
8.1	8.8	8.1		7.2	7.4	7.2			
6.6	7.4	6.6		5.9	6.4	5.9			
5.4	6	5.4		4.8	5.4	4.8			
3.6	3.9	3.6		3.3	3.7	3.3			
2.5	2.7	2.5		2.3	2.6	2.3			

Wall Wash, 2000 lumen

L815MED20WW930MB	Lumens	1739 Lm	Watts	24.7 W	LPW	70.4 Lm/W
	CCT	SC (0/90/45)				
	3000K	0.44 / 0.77 / 0.63				

Single Unit Footcandles 2.5' from wall (distance from fixture along wall)							
DD	0	1	2	3	4	5	6
1'	7	5.4	2.1	0.5	0.2	0.1	0
2'	13.9	11	6.5	3.5	1.6	0.6	0.2
3'	12.4	10.6	7.1	4.2	2.5	1.5	0.8
4'	10	8.7	6.5	4.2	2.7	1.7	1.1
5'	7.8	7.1	5.6	3.9	2.6	1.7	1.1
6'	6	5.6	4.7	3.5	2.4	1.6	1.1
8'	3.8	3.6	3.2	2.6	2	1.5	1
10'	2.5	2.4	2.2	1.9	1.6	1.2	0.9

Multiple Unit Footcandles 2.5' from wall (spacing between fixtures)									
•	3	•	•	4	•				
7.5	7.7	7.5		7.2	4.2	7.2			
17.4	17.4	17.4		15.5	12.9	15.5			
16.6	17.9	16.6		14.9	14.2	14.9			
14.2	15.5	14.2		12.7	13	12.7			
11.7	13	11.7		10.4	11.3	10.4			
9.6	10.6	9.6		8.5	9.5	8.5			
6.4	6.9	6.4		5.8	6.5	5.8			
4.4	4.8	4.4		4.1	4.5	4.1			

Wall Wash, 3000 lumen

L815MED30WW930MB	Lumens	2278 Lm	Watts	37.7 W	LPW	60.4 Lm/W
	CCT	SC (0/90/45)				
	3000K	0.44 / 0.77 / 0.63				

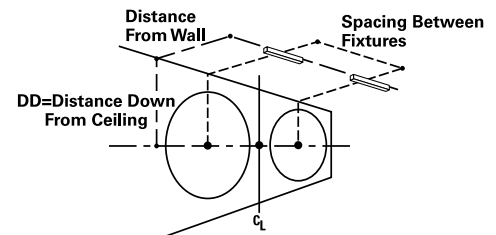
Single Unit Footcandles 2.5' from wall (distance from fixture along wall)							
DD	0	1	2	3	4	5	6
1'	9.1	7.1	2.8	0.7	0.3	0.1	0.1
2'	18.2	14.5	8.5	4.6	2.1	0.7	0.2
3'	16.2	13.9	9.3	5.5	3.3	2	1.1
4'	13.1	11.5	8.5	5.5	3.5	2.2	1.4
5'	10.2	9.3	7.4	5.1	3.4	2.2	1.5
6'	7.9	7.4	6.2	4.6	3.2	2.1	1.5
8'	4.9	4.7	4.2	3.5	2.7	1.9	1.4
10'	3.3	3.2	2.9	2.5	2.1	1.6	1.2

Multiple Unit Footcandles 2.5' from wall (spacing between fixtures)									
•	3	•	•	4	•				
9.8	10.1	9.8		9.4	5.5	9.4			
22.8	22.8	22.8		20.4	17	20.4			
21.8	23.5	21.8		19.6	18.6	19.6			
18.6	20.4	18.6		16.6	17	16.6			
15.3	17	15.3		13.6	14.8	13.6			
12.5	13.8	12.5		11.1	12.4	11.1			
8.4	9.1	8.4		7.6	8.5	7.6			
5.8	6.2	5.8		5.3	5.9	5.3			

Notes

- Illuminance values for multiple fixtures are based upon the center two units of a four unit array. Footcandle values are center line of fixtures and centered between fixtures. 1 footcandle = 10.76 lux. 1 foot(') = 304.8mm.
- Illuminance values are cosine corrected initial value with no contribution from inter reflections from other room surfaces. Total illumination may increase from contributions from other surfaces.
- Changing fixture spacing will affect illuminance level.

$\frac{\text{Existing Spacing}}{\text{New Spacing}}$	x	Average Table Fc Level
--	---	------------------------
- 39W Multiplier = .5



Note: Refer to IES files for more product data.