



LED AR111

16AR111/LED/927/F40/DIM/EC 12V 6/1FB

With an elegant new design, Philips MasterClass LED AR111 creates a brilliant visual effect. With excellent rendering of 90+ CRI and R9>50, colors stay vibrant and natural, enhancing the appeal of everything on display.

Product data

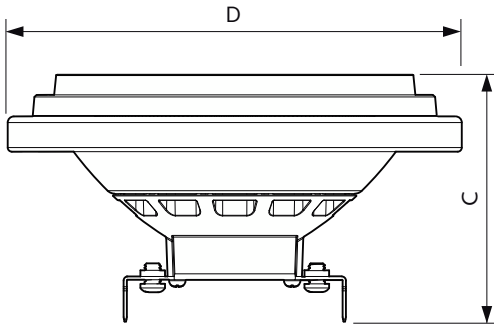
General Information		Wattage Equivalent	
Cap-Base	G53		75 W
Nominal lifetime	40,000 hour(s)	Starting Time (Nom)	0.5 s
Switching Cycle	50,000	Warm-up time to 60% light	0.5 s
Lighting Technology	LED	Power Factor (Fraction)	0.7
EU RoHS compliant	Yes	Voltage (Nom)	ac electronic 12 V
Light Technical		Temperature	
Color Code	927 [CCT of 2700K]	T-Case Maximum (Nom)	74 °C
Beam Angle (Nom)	40 degree(s)	Controls and Dimming	
Luminous Flux	900 lm	Dimmable	Yes
Luminous Intensity (Nom)	1,400 cd	Mechanical and Housing	
Color Designation	Warm White (WW)	Bulb Finish	Clear
Correlated Color Temperature (Nom)	2700 K	Bulb Material	Plastic
Luminous Efficacy (rated) (Nom)	56.00 lm/W	Bulb Shape	AR111
Color Consistency	<4	Approval and Application	
Color rendering index (CRI)	97	Suitable For Accent Lighting	Yes
LLMF At End Of Nominal Lifetime (Nom)	70 %	Energy Consumption kWh/1000 h	- kWh
Operating and Electrical		Energy Certifications	No
Line Frequency	- Hz	Product Data	
Input Frequency	- Hz	Order product name	16AR111/LED/927/F40/DIM/EC 12V 6/1FB
Power Consumption	16 W		
Lamp Current (Nom)	1,800 mA		

LED AR111

Full product name	16AR111/LED/927/F40/DIM/EC 12V 6/1FB
Order code	929002239304
Material Nr. (12NC)	929002239304
Numerator - Quantity Per Pack	1
EAN/UPC - Product/Case	046677552435

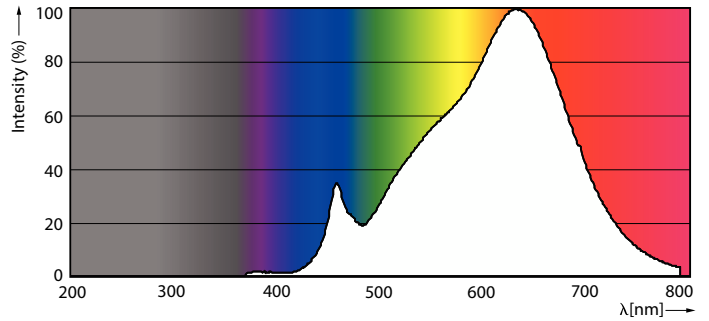
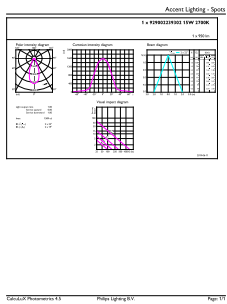
Numerator - Packs per outer box	6
EAN/UPC - Case	50046677552430

Dimensional drawing



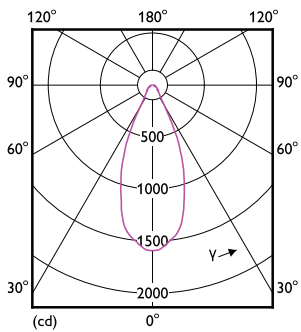
Product	D	C
16AR111/LED/927/F40/DIM/EC 12V 6/1FB	111 mm	62 mm

Photometric data



General uniform lighting - 16AR111/LED/927/F40/DIM/EC 12V 6/1FB

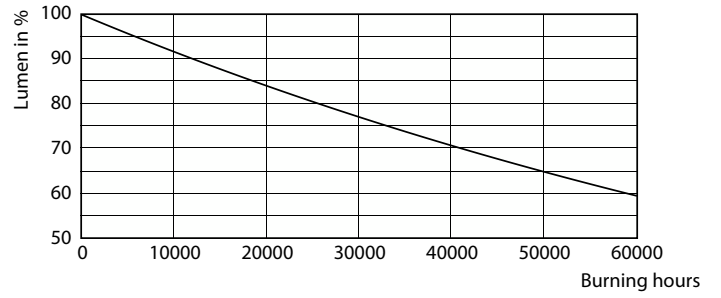
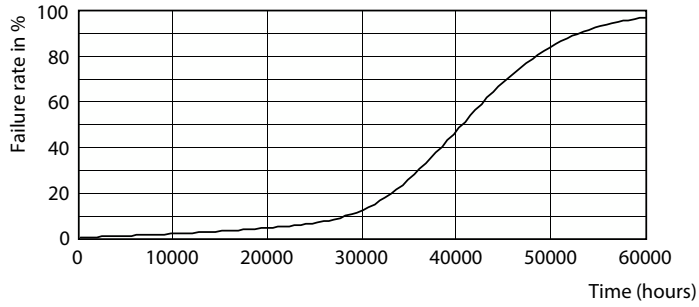
Spectral Power Distribution Colour - 16AR111/LED/927/F40/DIM/EC 12V 6/1FB



Light Distribution Diagram - 16AR111/LED/927/F40/DIM/EC 12V 6/1FB

LED AR111

Lifetime



Life Expectancy Diagram - 16AR111/LED/927/F40/DIM/EC 12V 6/1FB

Lumen Maintenance Diagram - 16AR111/LED/927/F40/DIM/EC 12V 6/1FB

