



# LED MR16

## 6.5MR16/LED/F25/927/D/EC/12V T20 10/1FB

Philips LED MR-16 lamps with single optic technology provide the look and color quality of traditional halogens while using a fraction of the energy. A perfect fit for spot lighting, they are compatible with most existing fixtures with MR16 GU5.3 holders and are designed as a retrofit replacement for halogen or incandescent spots.

### Product data

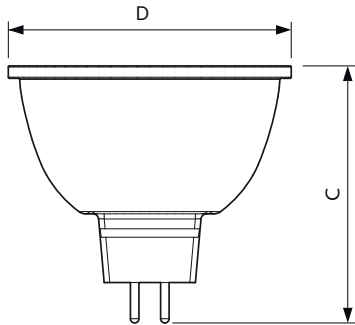
General Information		Power Consumption	
Cap-Base	GU5.3 [GU5.3]	Lamp Current (Nom)	700 mA
Nominal lifetime	25,000 hour(s)	Wattage Equivalent	42 W
Switching Cycle	50,000	Starting Time (Nom)	0.5 s
Lighting Technology	LED	Warm-up time to 60% light	0.5 s
EU RoHS compliant	Yes	Power Factor (Fraction)	0.8
		Voltage (Nom)	ac electronic 12 V
Light Technical		Temperature	
Color Code	927	T-Case Maximum (Nom)	92 °C
Beam Angle (Nom)	25 degree(s)		
Luminous Flux	485 lm	Controls and Dimming	
Luminous Intensity (Nom)	1,960 cd	Dimmable	Yes
Color Designation	Warm White (WW)		
Correlated Color Temperature (Nom)	2700 K	Mechanical and Housing	
Luminous Efficacy (rated) (Nom)	74.00 lm/W	Bulb Finish	Clear
Color Consistency	<3	Bulb Material	Aluminum
Color rendering index (CRI)	91	Bulb Shape	MR16 [2inch/50mm]
LLMF At End Of Nominal Lifetime (Nom)	70 %		
Operating and Electrical		Approval and Application	
Line Frequency	- Hz	Suitable For Accent Lighting	Yes
Input Frequency	- Hz		

# LED MR16

Energy Consumption kWh/1000 h	- kWh
<b>Product Data</b>	
Order product name	6.5MR16/LED/F25/927/D/EC/12V T20 10/1FB
Full product name	6.5MR16/LED/F25/927/D/EC/12V T20 10/1FB
Order code	929001854304
Material Nr. (12NC)	929001854304

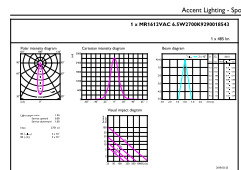
Numerator - Quantity Per Pack	1
EAN/UPC - Product/Case	046677479138
Numerator - Packs per outer box	10
EAN/UPC - Case	50046677479133

## Dimensional drawing



Product	D	C
6.5MR16/LED/F25/927/D/EC/12V T20 10/1FB	50.5 mm	46 mm

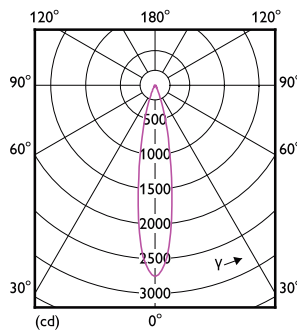
## Photometric data



DELUX Photometric Kit | Plug-in Lighting Ltd | Page 111

## Spectral Power Distribution Colour - 6.5MR16/LED/F25/927/D/EC/12V T20 10/1FB

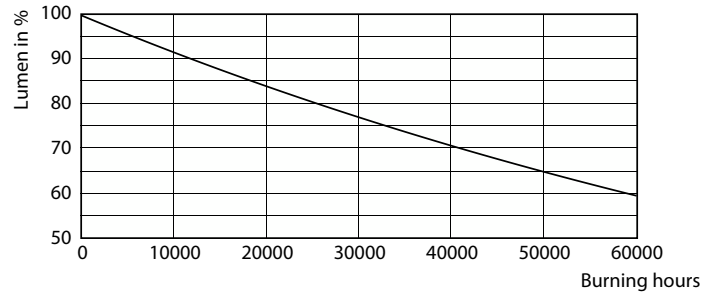
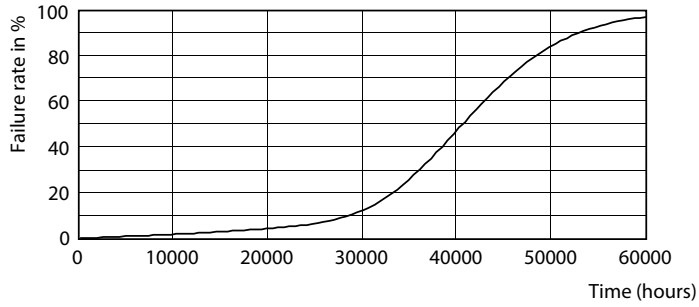
## Accent Lighting Spots - 6.5MR16/LED/F25/927/D/EC/12V T20 10/1FB



## Light Distribution Diagram - 6.5MR16/LED/F25/927/D/EC/12V T20 10/1FB

# LED MR16

## Lifetime



Life Expectancy Diagram - 6.5MR16/LED/F25/927/D/EC/12V T20 10/1FB

Lumen Maintenance Diagram - 6.5MR16/LED/F25/927/D/EC/12V T20 10/1FB

