



LED MR16

7MR16 ExpertColor F35 930 D 10/1

Philips LED MR-16 lamps with single optic technology provide the look and color quality of traditional halogens while using a fraction of the energy. A perfect fit for spot lighting, they are compatible with most existing fixtures with MR16 GU5.3 holders and are designed as a retrofit replacement for halogen or incandescent spots.

Product data

General Information	
Cap-Base	GU5.3 [GU5.3]
Nominal lifetime	40,000 hour(s)
Switching Cycle	50,000
Lighting Technology	LED
EU RoHS compliant	Yes
Light Technical	
Color Code	930 [CCT of 3000K]
Beam Angle (Nom)	35 degree(s)
Luminous Flux	460 lm
Luminous Intensity (Nom)	1,400 cd
Color Designation	White (WH)
Correlated Color Temperature (Nom)	3000 K
Luminous Efficacy (rated) (Nom)	65.71 lm/W
Color Consistency	<3
Color rendering index (CRI)	95
LLMF At End Of Nominal Lifetime (Nom)	70 %
Operating and Electrical	
Power Consumption	7 W
Lamp Current (Nom)	800 mA

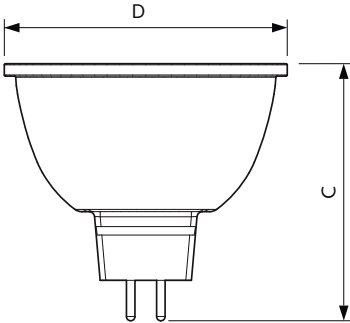
Wattage Equivalent	42 W
Starting Time (Nom)	0.5 s
Warm-up time to 60% light	0.5 s
Power Factor (Fraction)	0.7
Voltage (Nom)	12 V
Temperature	
T-Case Maximum (Nom)	197.6 °F
Controls and Dimming	
Dimmable	Yes
Mechanical and Housing	
Bulb Shape	MR16 [2inch/50mm]
Approval and Application	
Suitable For Accent Lighting	Yes
Product Data	
Order product name	7MR16 ExpertColor F35 930 D 10/1
Full product name	7MR16 ExpertColor F35 930 D 10/1
Order code	470203

LED MR16

Material Nr. (12NC)	929001342404
Numerator - Quantity Per Pack	1
EAN/UPC - Product/Case	046677470203
Numerator - Packs per outer box	10

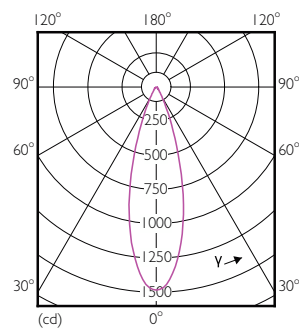
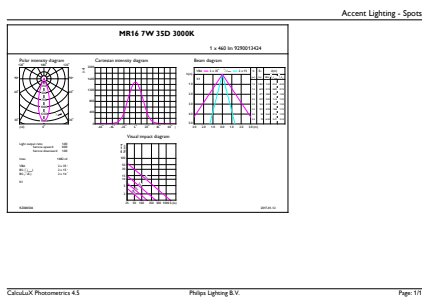
EAN/UPC - Case	50046677470208
----------------	----------------

Dimensional drawing



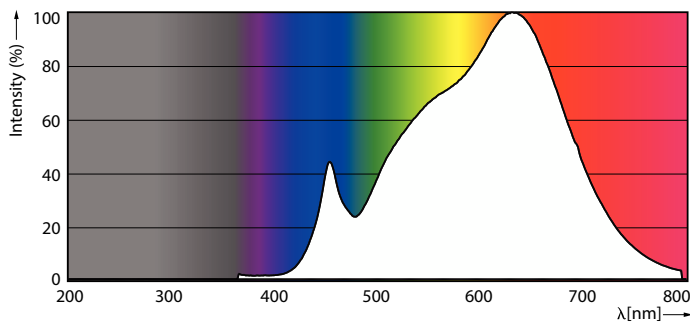
Product	D	C
7MR16 ExpertColor F35 930 D 10/1	51 mm	46 mm

Photometric data



Accent Lighting Spots - 7MR16 ExpertColor F35 930 D 10/1

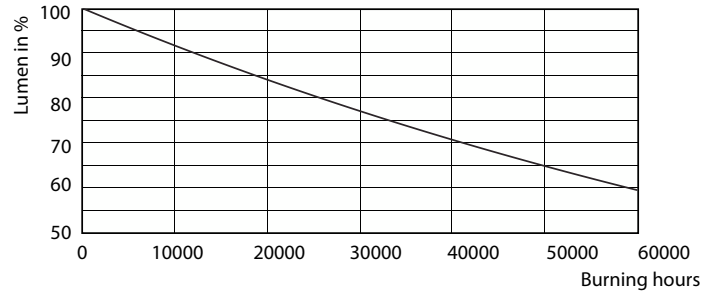
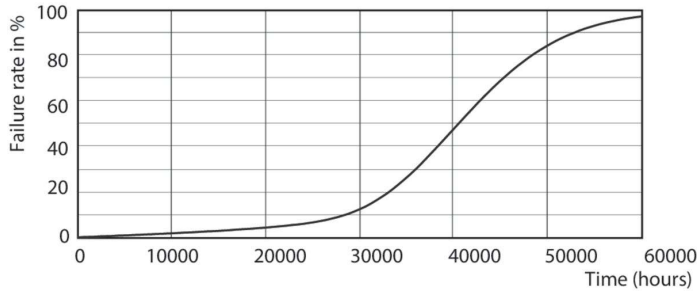
Light Distribution Diagram - 7MR16 ExpertColor F35 930 D 10/1



Spectral Power Distribution Colour - 7MR16 ExpertColor F35 930 D 10/1

LED MR16

Lifetime



Life Expectancy Diagram - 7MR16 ExpertColor F35 930 D 10/1

Lumen Maintenance Diagram - 7MR16 ExpertColor F35 930 D 10/1

