



# LED MR16

## 7MR16 ExpertColor F25 940 D 10/1

Philips LED MR-16 lamps with single optic technology provide the look and color quality of traditional halogens while using a fraction of the energy. A perfect fit for spot lighting, they are compatible with most existing fixtures with MR16 GU5.3 holders and are designed as a retrofit replacement for halogen or incandescent spots.

### Product data

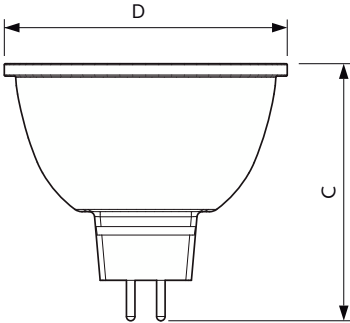
| General Information                   |                    | Wattage Equivalent           |                                  |
|---------------------------------------|--------------------|------------------------------|----------------------------------|
| Cap-Base                              | GU5.3 [GU5.3]      |                              | 42 W                             |
| Nominal lifetime                      | 40,000 hour(s)     | Starting Time (Nom)          | 0.5 s                            |
| Switching Cycle                       | 50,000             | Warm-up time to 60% light    | 0.5 s                            |
| Lighting Technology                   | LED                | Power Factor (Fraction)      | 0.7                              |
| EU RoHS compliant                     | Yes                | Voltage (Nom)                | 12 V                             |
| Light Technical                       |                    | Temperature                  |                                  |
| Color Code                            | 940 [CCT of 4000K] | T-Case Maximum (Nom)         | 197.6 °F                         |
| Beam Angle (Nom)                      | 25 degree(s)       | Controls and Dimming         |                                  |
| Luminous Flux                         | 460 lm             | Dimmable                     | Yes                              |
| Luminous Intensity (Nom)              | 2,350 cd           | Mechanical and Housing       |                                  |
| Color Designation                     | Cool White (CW)    | Bulb Shape                   | MR16 [2inch/50mm]                |
| Correlated Color Temperature (Nom)    | 4000 K             | Approval and Application     |                                  |
| Luminous Efficacy (rated) (Nom)       | 65.71 lm/W         | Suitable For Accent Lighting | Yes                              |
| Color Consistency                     | <3                 | Product Data                 |                                  |
| Color rendering index (CRI)           | 95                 | Order product name           | 7MR16 ExpertColor F25 940 D 10/1 |
| LLMF At End Of Nominal Lifetime (Nom) | 70 %               | Full product name            | 7MR16 ExpertColor F25 940 D 10/1 |
| Operating and Electrical              |                    | Order code                   | 470187                           |
| Power Consumption                     | 7 W                |                              |                                  |
| Lamp Current (Nom)                    | 800 mA             |                              |                                  |

# LED MR16

|                                 |              |
|---------------------------------|--------------|
| Material Nr. (12NC)             | 929001342204 |
| Numerator - Quantity Per Pack   | 1            |
| EAN/UPC - Product/Case          | 046677470180 |
| Numerator - Packs per outer box | 10           |

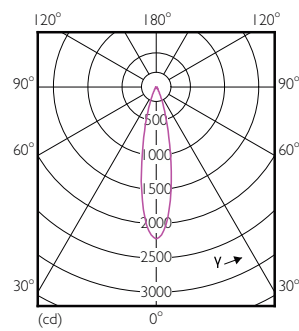
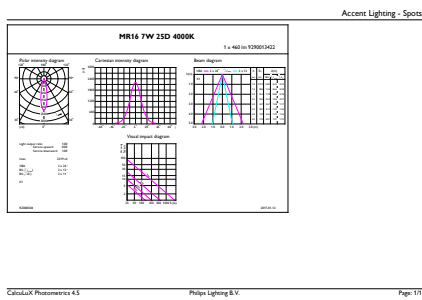
|                |                |
|----------------|----------------|
| EAN/UPC - Case | 50046677470185 |
|----------------|----------------|

## Dimensional drawing



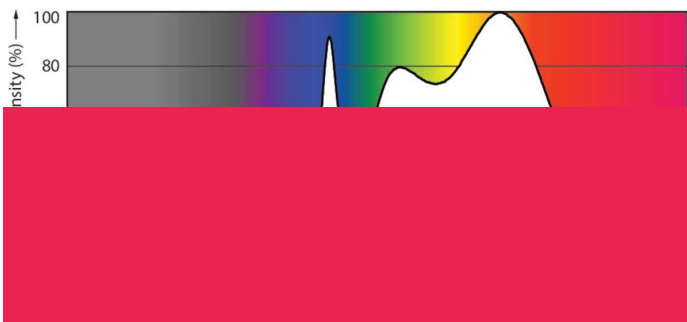
| Product                          | D     | C     |
|----------------------------------|-------|-------|
| 7MR16 ExpertColor F25 940 D 10/1 | 51 mm | 46 mm |

## Photometric data



Accent Lighting Spots - 7MR16 ExpertColor F25 940 D 10/1

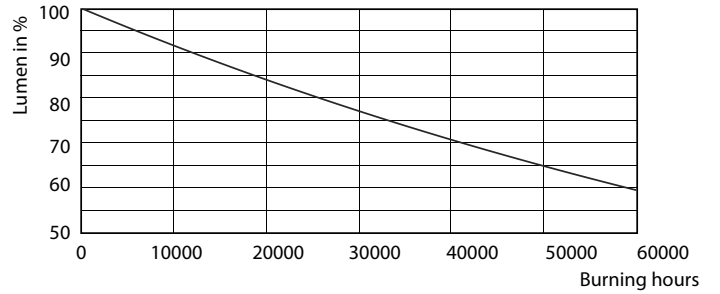
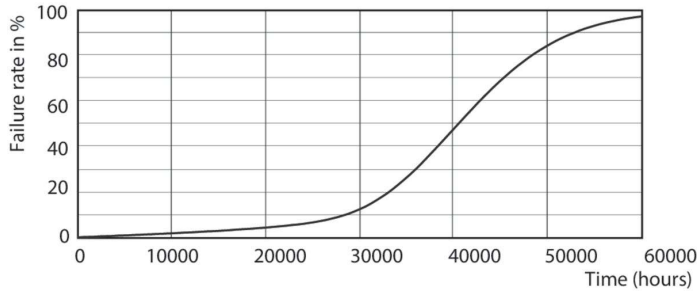
Light Distribution Diagram - 7MR16 ExpertColor F25 940 D 10/1



Spectral Power Distribution Colour - 7MR16 ExpertColor F25 940 D 10/1

# LED MR16

## Lifetime



Life Expectancy Diagram - 7MR16 ExpertColor F25 940 D 10/1

Lumen Maintenance Diagram - 7MR16 ExpertColor F25 940 D 10/1

