



A-Shape LED

8A19/LED/850/ND 120V 2PK 4/2

Philips A-shape LED lamps are the LED alternative to standard incandescents. It provides beautiful light and dependable performance you expect from LED at an affordable price.

Product data

| General Information | |
|---------------------|-----------------------------------|
| Cap-Base | E26 [Single Contact Medium Screw] |
| Nominal lifetime | 10,950 hour(s) |
| Switching Cycle | 50,000 |
| Lighting Technology | LED |
| EU RoHS compliant | Yes |

| Light Technical | |
|---------------------------------------|--------------------|
| Color Code | 850 [CCT of 5000K] |
| Luminous Flux | 800 lm |
| Color Designation | Daylight |
| Correlated Color Temperature (Nom) | 5000 K |
| Luminous Efficacy (rated) (Nom) | 100 lm/W |
| Color Consistency | ANSI |
| Color rendering index (CRI) | 80 |
| LLMF At End Of Nominal Lifetime (Nom) | 70 % |

| Operating and Electrical | |
|---------------------------|--------|
| Line Frequency | 60 Hz |
| Input Frequency | 60 Hz |
| Power Consumption | 8 W |
| Lamp Current (Nom) | 115 mA |
| Starting Time (Nom) | 0.5 s |
| Warm-up time to 60% light | 0.5 s |

| | |
|-------------------------|-------|
| Power Factor (Fraction) | 0.5 |
| Voltage (Nom) | 120 V |

| Temperature | |
|----------------------|--------|
| T-Case Maximum (Nom) | 212 °F |

| Controls and Dimming | |
|----------------------|----|
| Dimmable | No |

| Mechanical and Housing | |
|------------------------|--------------|
| Bulb Finish | Frosted |
| Bulb Shape | A19 [A 19mm] |

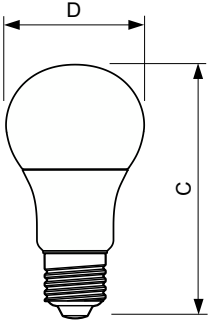
| Approval and Application | |
|-------------------------------|-------|
| Suitable For Accent Lighting | No |
| Energy Consumption kWh/1000 h | 8 kWh |

| Product Data | |
|-------------------------------|------------------------------|
| Order product name | 8A19/LED/850/ND 120V 2PK/4 |
| Full product name | 8A19/LED/850/ND 120V 2PK 4/2 |
| Order code | 462168 |
| Material Nr. (12NC) | 929001135234 |
| Numerator - Quantity Per Pack | 1 |
| EAN/UPC - Product/Case | 046677462161 |

A-Shape LED

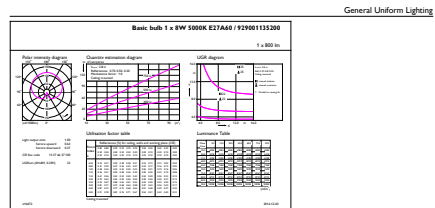
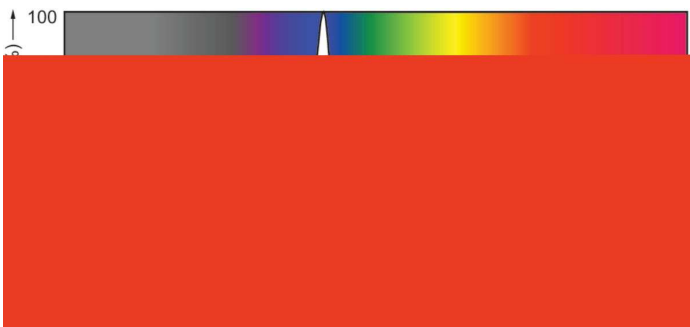
| | |
|---------------------------------|----------------|
| Numerator - Packs per outer box | 4 |
| EAN/UPC - Case | 50046677462166 |

Dimensional drawing



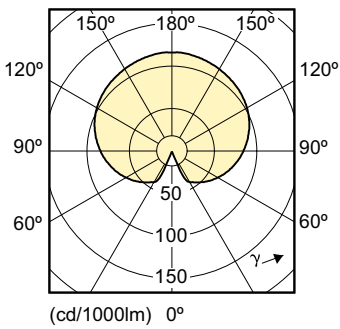
| Product | D | C |
|----------------------------|-------------|------------|
| 8A19/LED/850/ND 120V 2PK/4 | 2-7/16 inch | 4-1/4 inch |

Photometric data



Spectral Power Distribution Colour - 8A19/LED/850/ND 120V 2PK/4

General uniform lighting - 8A19/LED/850/ND 120V 2PK/4



Light Distribution Diagram - 8A19/LED/850/ND 120V 2PK/4

A-Shape LED

