



A-Shape LED

8A19/LED/850 ND 120V

Philips A-shape LED lamps are the LED alternative to standard incandescents. It provides beautiful light and dependable performance you expect from LED at an affordable price.

Product data

General Information	
Cap-Base	E26 [Single Contact Medium Screw]
Nominal lifetime	10,950 hour(s)
Switching Cycle	50,000
Lighting Technology	LED
EU RoHS compliant	Yes

Light Technical	
Color Code	850 [CCT of 5000K]
Luminous Flux	800 lm
Color Designation	Daylight
Correlated Color Temperature (Nom)	5000 K
Luminous Efficacy (rated) (Nom)	100 lm/W
Color Consistency	ANSI
Color rendering index (CRI)	80
LLMF At End Of Nominal Lifetime (Nom)	70 %

Operating and Electrical	
Line Frequency	60 Hz
Input Frequency	60 Hz
Power Consumption	8 W
Lamp Current (Nom)	135 mA
Starting Time (Nom)	0.5 s
Warm-up time to 60% light	0.5 s

Power Factor (Fraction)	0.8
Voltage (Nom)	120 V

Temperature	
T-Case Maximum (Nom)	203 °F

Controls and Dimming	
Dimmable	No

Mechanical and Housing	
Bulb Finish	Frosted
Bulb Shape	A19 [A 19mm]

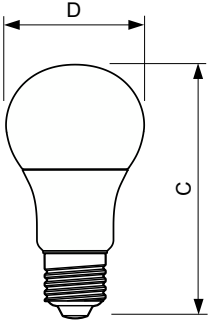
Approval and Application	
Suitable For Accent Lighting	Yes
Energy Consumption kWh/1000 h	8 kWh

Product Data	
Order product name	A19 8W 5000K E26
Full product name	8A19/LED/850 ND 120V
Order code	455600
Material Nr. (12NC)	929001135203
Numerator - Quantity Per Pack	1
EAN/UPC - Product/Case	046677455606

A-Shape LED

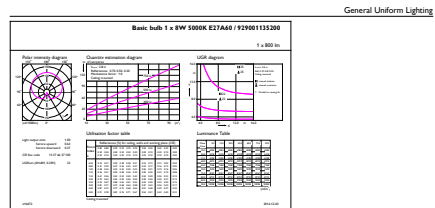
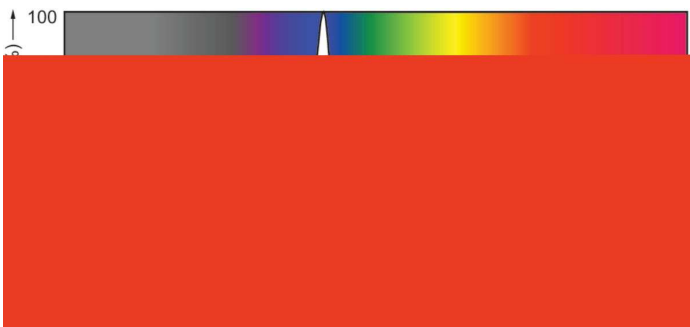
Numerator - Packs per outer box	4
EAN/UPC - Case	50046677455601

Dimensional drawing



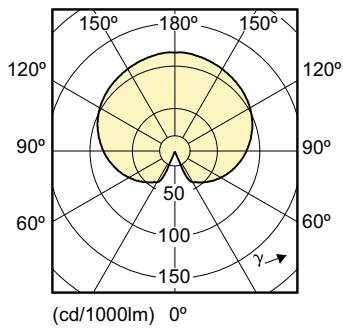
Product	D	C
A19 8W 5000K E26	61.0 mm	107.4 mm

Photometric data



Spectral Power Distribution Colour - A19 8W 5000K E26

General uniform lighting - A19 8W 5000K E26



Light Distribution Diagram - A19 8W 5000K E26

A-Shape LED

