



Centium T8 Instant Start

CENTIUM ELE BALLAST (2) F32T8 120-277V

Reliable and energy efficient Philips Advance's Centium commercial grade specifications, plus added benefits of lamp striation reduction technology.

Product data

General information	
Lamp Type	F32T8
Number of Lamps	2 piece/unit
Ballast Type	Electronic Fluorescent
Base Model	ICN2M32MC
Suitable For Outdoor Use	Yes
Automatic Restart	Yes
Operating and electrical	
Input Voltage	120 to 277 V
Input Frequency	50 to 60 Hz
Total Harmonic Distortion USA	10 %
Ignition Method	Instant Start
Crestfactor (Nom)	1.7
Ignition Time (Nom)	0.1 s
Ballast Factor (Nom)	0.88
Power Factor (Nom)	0.98
Input Current (Max)	0.50 A
Input Current (Min)	0.21 A
Input Power (Nom)	59 W
Rated Lamp Power	32 W

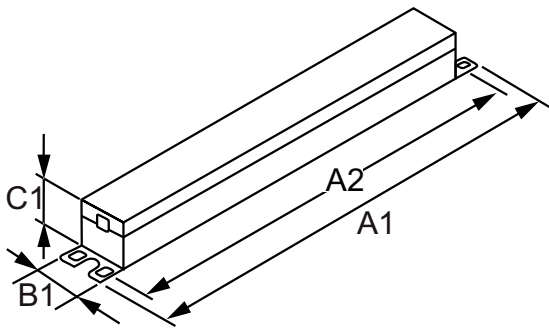
Wiring	
Color Input Terminals	No terminals
Color Output Terminals	No terminals
Wire Striplength	0.50/0.375 mm
Lamp Connection	Series
Wire Length by Color	See data sheet
Wire Gauge (Nom)	18AWG mm
Wire Type	Solid
Remote Wiring Configuration Allowed	Yes
Tandem Wiring Configuration Allowed	Yes
Through Wiring Configuration Allowed	Yes
Max Ballast-Lamp Distance Remote Wiring	20'
Max Ballast-Lamp Distance Tandem Wiring	Any = 20'
Max Ballast-Lamp Distance Through Wiring	Any = 20'
Connector Type	No connector
Temperature	
T-Case Maximum (Nom)	70 °C
Mechanical and housing	
Housing Material	Metal
Housing	MC

Centium T8 Instant Start

Housing Dimensions	9.5" x 1.08" x 1.05"
Approval and application	
EMC Immunity Standard	FCC Non-Consumer
Approval Marks	CSA certificate UL certificate CEC Listing CSA E RoHS Compliant
Hum And Noise Level	A
UL Recognized	No
Product data	
Order product name	CENTIUM ELE BALLAST (2) F32T8 120-277V

EAN/UPC - Product	781087037546
Order code	913710263801
Numerator - Quantity Per Pack	1
Numerator - Packs per outer box	10
Material Nr. (12NC)	913710263801
Net Weight (Piece)	0.332 kg

Dimensional drawing



CENTIUM ELE BALLAST (2) F32T8 120-277V

Product

CENTIUM ELE BALLAST (2) F32T8 120-277V

