



Mark 10 Powerline

MARK 10 POWERLINE ELE DIM BALLAST (1) 40W CFL (4-PIN) 120V

For companies looking to make their fixed-output linear T8, 4-pin CFL, and T5/HO fluorescent systems more cost effective and sustainable, Mark 10 Powerline ballasts provide an easy solution without the need for additional control leads. Simply, (1) replace the ballast, (2) replace the switch, (3) dim the lights, that is all it takes. It's that easy to bring the convenience and flexibility of fluorescent dimming to conference rooms, private offices, auditoriums, architectural cove lighting – anywhere dimming is required.

Product data

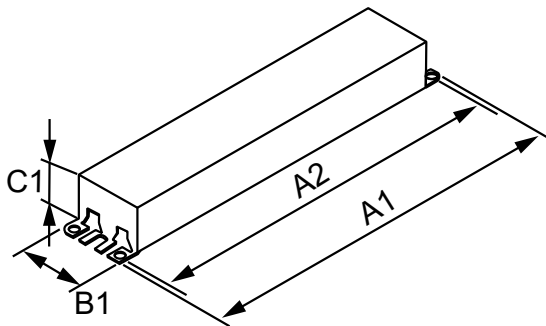
General Information		Input Power (Max)	
Lamp Type	FT40W/2G11		41 W
Number of Lamps	1 piece/unit	Input Power (Min)	10 W
Ballast Type	Dimmable Fluorescent	Rated Lamp Watts	40 W
Base Model	REZ1TTS40SC		
Suitable For Outdoor Use	Yes	Wiring	
Automatic Restart	Yes	Color Input Terminals	No terminals
		Color Output Terminals	No terminals
		Wire Striplength	0.50/0.375 mm
		Control Wire Gauge	NA
		Lamp Connection	Series
Operating and Electrical		Wire Length by Color	See data sheet
Input Voltage	120 V	Wire Gauge (Nom)	18AWG mm
Input Frequency	60 Hz	Wire Type	Solid
Max THD	10 %	Remote Wiring Configuration Allowed	Yes
Starting Method	Programmed Start	Tandem Wiring Configuration Allowed	No
Lamp Current Crest Factor (Nom)	1.7	Through Wiring Configuration Allowed	No
Ignition Time (Nom)	1.5 s	Max Ballast-Lamp Distance Remote Wiring	6'
Ballast Factor (Max)	1	Max Ballast-Lamp Distance Tandem Wiring	NA
Ballast Factor (Min)	0.05	Max Ballast-Lamp Distance Through Wiring	NA
Power Factor (Nom)	0.99		
Input Current (Operating) (Nom)	0.32 A		

Mark 10 Powerline

Connector Type	No connector
Temperature	
T-Case Maximum (Nom)	70 °C
Mechanical and Housing	
Housing Material	Metal
Housing	SC
Housing Dimensions	9.5" x 1.7" x 1.18"
Approval and Application	
EMC Immunity Standard	FCC Consumer
Approbation Marks	CSA certificate UL certificate CEC Listing RoHS Compliant

Sound Rating	A
UL Recognized	No
Product Data	
Order product name	MARK 10 POWERLINE ELE DIM BALLAST (1) 40W CFL (4-PIN) 120V
EAN/UPC - Product	781087116999
Order code	REZ1TTS40SC35M
Numerator - Quantity Per Pack	1
Numerator - Packs per outer box	20
Material Nr. (12NC)	913710231202
Net Weight (Piece)	386.000 g

Dimensional drawing



ELE DIM BALLAST (1) 40W CFL (4-PIN) 120V

Product	A1	A2	B1	C1
MARK 10 POWERLINE ELE DIM BALLAST (1) 40W CFL (4-PIN) 120V	9.5 in	8.90 in	1.7 in	1.18 in

