



Cosmopolis Xtreme Fixed Output Ballast

COSMOPOLIS ELE MH BAL FLT 140W CPO-TW 208-277V

The Philips CosmoPolis system brings high efficiency white light to outdoor lighting in traditional high pressure sodium applications. The optimized electronic ballast with integral surge protection provides long service life and maximizes the lamp performance.

Product data

General Information	
Lamp Type	CPO
Number of Lamps	1 piece/unit
Suitable For Outdoor Use	Yes
Number of Products on MCB (16A Type B) (Nom)	5
Default Lamp Selected	CPO140
Automatic Restart	Yes
Operating and Electrical	
Input Voltage	208-240-277 V
Input Frequency	50 to 60 Hz
Minimum Mains Voltage Operation (Min)	172 V
Operating Frequency (Nom)	0.40 kHz
Power Factor 100% Load (Nom)	0.99
Ignition Voltage (Max)	5 kV
Ignition Switch-Off Time (Nom)	20 min
Mains Voltage Performance (AC)	188-305V
Mains Voltage Safety (AC)	160-305V

Earth Leakage Current (Max)	0.7 mA
Output Peak Voltage (Max)	250 V
Inrush Current Width	0.47 ms
Lamp Power Tolerance	-3%/+3%
Input Current (Nom)	0.75 A
Inrush Current Peak (Max)	52 A
Wiring	
Cable Capacity Output Wires Mutual (Nom)	1000 pF
Cable Length From Device to Lamp	10 m
Wire Striplength	10.0-11.0 mm
Ballast Contact Wire Cross Section	0.50-2.50 mm ²
Connector Type	WAGO series 804
System characteristics	
Rated Ballast-Lamp Power	140 W
Rated Lamp Power on CPO	140 W
System Power on CPO	153 W
Lamp Power on CPO	140 W

Cosmopolis Xtreme Fixed Output Ballast

Power Loss on CPO	13 W
Power Loss on CPO While Dimming	7 W

Temperature

T-Ambient (Max)	55 °C
T-Ambient (Min)	-30 °C
T-Storage (Max)	55 °C
T-Storage (Min)	-30 °C
T-Case Lifetime (Nom)	80 °C
T-Case Switch Off (Min)	92 °C

Controls and Dimming

Programmable Lamp Settings	None
Pre-Set Integrated Controls	None
Programmable Dimming Options	None
Control Input Protection	Yes (Basic insulation)
Regulating Level	-

Mechanical and Housing

Housing	Q
---------	---

Approval and Application

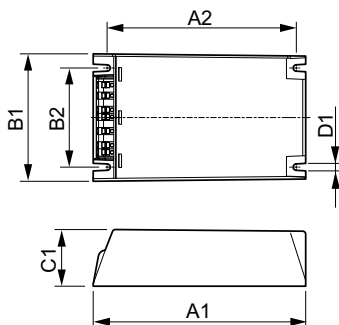
Surge Protection (Common/Differential)	EN61547 (L-L 2kV, L-G 4kV), 10 kV TIL
IP Classification Luminaire	34
Active Temperature Protection	Yes
EMI 9 kHz ... 300 MHz	CISPR 15 ed 7.2
EMI 30 MHz ... 1000 MHz	CISPR15 Edition 7.2

Safety Standard	IEC 607, 609, 926, 928 [No Standard for HID Lamp drivers exists. Requirements in these standards to be used if considered relevant for the product.]
Quality Standard	ISO 9000:2000
Environmental Standard	ISO 14001
Harmonic Current Emission Standard	IEC 61000-3-2
Vibration Standard	IEC 68-2-6 Fc (10-150Hz, 2G)
Bumps Standard	IEC 68-2-29 Eb (10G/16ms)
Humidity Standard	EN 61347-2-12 clause 11
Approval Marks	F-Marking CE marking ENEC certificate VDE-EMV certificate
Hum And Noise Level	< 30 dB(A)

Product Data

Order product name	COSMOPOLIS ELE MH BAL FLT 140W CPO-TW 208-277V
EAN/UPC - Product	781087126479
Order code	913700685669
Numerator - Quantity Per Pack	1
Numerator - Packs per outer box	12
Material Nr. (12NC)	913700685669
Net Weight (Piece)	0.820 kg

Dimensional drawing



HID-PV Xt 140 CPO Q 208-277V

Product	D1	C1	A1	A2	B1	B2
COSMOPOLIS ELE MH	4.5	40.0	150.0	133.6	90.0	70.0
BAL FLT 140W CPO-TW 208-277V	mm	mm	mm	mm	mm	mm

Cosmopolis Xtreme Fixed Output Ballast

