



FlexElite RGB

FlexElite iColor, RGB, 10 Nodes, White Node/Cable, 500 mm (1.6 ft) On-Center Node Spacing

FlexElite iColor, RGB, 10 Nodes, White Node/Cable, 500 mm (1.6 ft) On-Center Node Spacing

the FlexElite is the brightest and most flexible member of our popular Flex family. It includes a from-the-ground-up redesign of all major elements, from its form factor to internal electronics and mechanical design. We created the FlexElite to meet the challenges posed by large, unconventional buildings and structures. At its core, you'll find an innovative modular design that lets you create the exact number and configuration of nodes that you need for your design. FlexElite's sections and jumper cables click together quickly and easily, allowing unequalled customisation, impossible with less-modular solutions. Longer run lengths and node spacing let you take on larger challenges than possible in the past. FlexElite RGB adds a separate amber LED which expands the available range of colours to include warmer tones, such as rich gold, yellow and orange shades.

Product data

General information	
Light source colour	RGBA
Light source replaceable	No
Optic type	120 [Beam angle 120°]
Optical cover/lens type	GT [Tempered glass]
Luminaire light beam spread	140°
CE mark	CE mark
UL mark	UL and cUL mark
Optic type outdoor	Very wide beam angle 120°

Light technical	
On-axis intensity in candela	40
Operating and electrical	
Input Voltage	48 V
Mechanical and housing	
Housing material	Polybutylene terephthalate
Optical cover/lens material	Tempered glass
Length	100 mm

FlexElite RGBA

Colour	White
Approval and application	
Ingress protection code	IP66 [Dust penetration-protected, jet-proof]
Mech. impact protection code	IK06 [1 J]
Vibration standard	Complies with ANSI C136.31, 3G
Vibration rating	Complies with ANSI C136.31, 3G

Initial performance (IEC compliant)

Initial luminous flux (system flux)	89 lm
Initial LED luminaire efficacy	7.1 lm/W
Initial input power	2.5 W

Over time performance (IEC compliant)

Lumen Maintenance 50% at 25 °C Calculated	100000
Lumen Maintenance 50% at 25 °C Reported	42000
Lumen Maintenance 50% at 50 °C Calculated	100000
Lumen Maintenance 50% at 50 °C Reported	42000
Lumen Maintenance 70% at 25 °C Calculated	100000
Lumen Maintenance 70% at 25 °C Reported	42000
Lumen Maintenance 70% at 50 °C Calculated	100000
Lumen Maintenance 70% at 50 °C Reported	42000
Lumen Maintenance 80% at 25 °C Calculated	79355
Lumen Maintenance 80% at 25 °C Reported	42000

Lumen Maintenance 80% at 50 °C Calculated	79355
Lumen Maintenance 80% at 50 °C Reported	42000
Lumen Maintenance 90% at 25 °C Calculated	35029
Lumen Maintenance 90% at 25 °C Reported	35029
Lumen Maintenance 90% at 50 °C Calculated	35029
Lumen Maintenance 90% at 50 °C Reported	35029

Application conditions

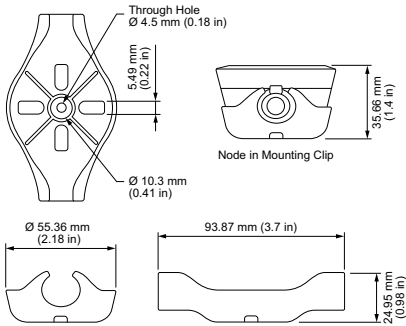
Ambient temperature range	-40 to +50 °C
---------------------------	---------------

Product data

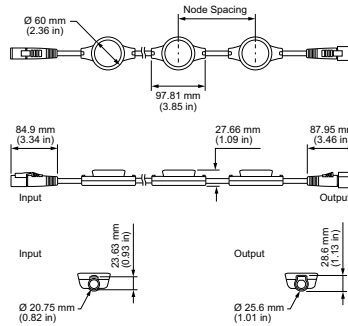
Full product code	871869937591199
Order product name	BGC496 RGBA RRGGBBPA 10 WH P500
EAN/UPC – product	8718699375911
Order code	401-000003-29
SAP numerator – quantity per pack	1
Numerator – packs per outer box	3
SAP material	912400136407
Commercial Code	401-000003-29
Catalogue number description	FlexElite iColor, RGBA, 10 Nodes, White Node/Cable, 500 mm (1.6 ft) On-Center Node Spacing



Dimensional drawing



BGC496 RGBA RRGGBBPA 10 WH P500



BGC496 RGBA RRGGBBPA 10 WH P500

FlexElite RGBA

