



# Ledinaire floodlight

## BVP154 LED50/830 PSU 50W VWB MDU CE

LED module 5000 lm - 830 warm white - Power supply unit -  
Very wide beam angle 100° - Movement detection unit

This popular range of off-the-shelf floodlighting luminaires offers Philips high quality standards at a very competitive price. Reliable, energy efficient and affordable, Ledinaire is the perfect solution for a wide range of outdoor applications, from building façades and retail stores to billboards, underpasses and garden lighting.

### Product data

General Information		Optic type outdoor	
Lamp family code	LED50 [ LED module 5000 lm]	Optic type outdoor	Very wide beam angle 100°
Light source color	830 warm white	Constant light output	No
Light source replaceable	No	Number of products on MCB of 16 A type B	47
Number of gear units	-	EU RoHS compliant	Yes
Driver/power unit/transformer	Power supply unit	Light source engine type	LED
Driver included	Yes	Light Technical	
Optical cover/lens type	Clear glass	Upward light output ratio	0
Luminaire light beam spread	100°	Standard tilt angle posttop	0°
Embedded control	Movement detection unit	Standard tilt angle side entry	0°
Control interface	-	Operating and Electrical	
Connection	Flying leads/wires	Input Voltage	220 to 240 V
Cable	Cable 1.0 m without plug	Input Frequency	50 or 60 Hz
Protection class IEC	Safety class I	Initial CLO power consumption	- W
Flammability mark	-	Average CLO power consumption	- W
CE mark	CE mark	End CLO power consumption	- W
ENEC mark	-	Inrush current	0.9 A
Warranty period	3 years		

## Ledinaire floodlight

Inrush time	0.01088 ms
Power Factor (Min)	0.9

### Controls and Dimming

Dimmable	No
----------	----

### Mechanical and Housing

Housing Material	Aluminum die cast
Reflector material	Polycarbonate
Optic material	Polycarbonate
Optical cover/lens material	Glass
Fixation material	Steel
Mounting device	Mounting bracket adjustable
Optical cover/lens shape	Flat
Optical cover/lens finish	Clear
Overall length	236 mm
Overall width	38 mm
Overall height	249 mm
Effective projected area	0.048 m <sup>2</sup>
Color	Aluminum and gray
Dimensions (Height x Width x Depth)	249 x 38 x 236 mm (9.8 x 1.5 x 9.3 in)

### Approval and Application

Ingress protection code	IP65 [ Dust penetration-protected, jet-proof]
Mech. impact protection code	IK07 [ 2 J reinforced]
Surge Protection (Common/Differential)	Surge protection level until 2 kV

### Initial Performance (IEC Compliant)

Initial luminous flux (system flux)	5000 lm
Luminous flux tolerance	+/-10%

Initial LED luminaire efficacy	100 lm/W
Init. Corr. Color Temperature	3000 K
Init. Color Rendering Index	80
Initial chromaticity	<7 SDCM
Initial input power	50 W
Power consumption tolerance	+/-10%
Init. Color Rendering Index Tolerance	+/-2

### Over Time Performance (IEC Compliant)

Control gear failure rate at median useful life	10 %
50000 h	
Lumen maintenance at median useful life*	L70
50000 h	

### Application Conditions

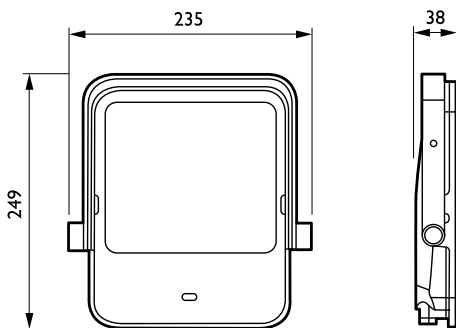
Ambient temperature range	-25 to +40 °C
Maximum dim level	Not applicable

### Product Data

Full product code	871016333135599
Order product name	BVP154 LED50/830 PSU 50W VWB MDU CE
EAN/UPC - Product	8710163331355
Order code	911401733372
Numerator - Quantity Per Pack	1
Numerator - Packs per outer box	6
Material Nr. (12NC)	911401733372
Net Weight (Piece)	1.500 kg



## Dimensional drawing



BVP154 LED50/830 PSU 50W VWB MDU CE

## Ledinaire floodlight

