

The Philips logo is displayed in a bold, blue, sans-serif font. It is positioned in the upper left corner of the advertisement, set against a white background that has a rounded bottom edge. The rest of the background is a photograph of a street at night, illuminated by a modern street lamp. Two children are running on the sidewalk, their figures slightly blurred to convey motion. The street lamp is a tall, black pole with a rectangular light fixture at the top, which is glowing brightly. The scene is set against a dark blue night sky with some green foliage visible in the background.

PHILIPS

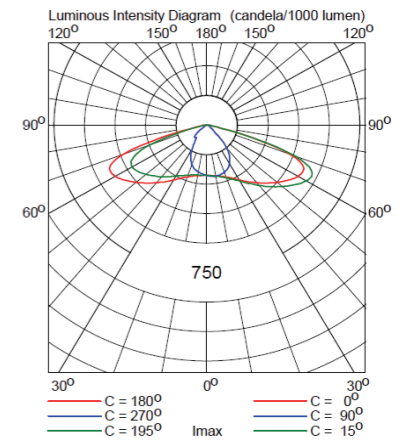
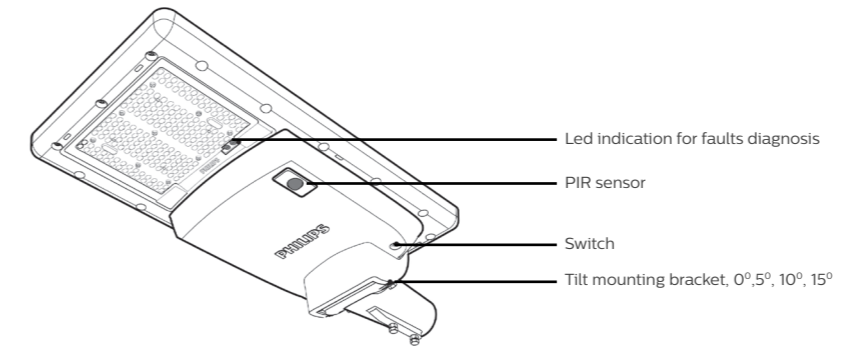
Solar Lighting

Sun Stay

**Smart and durable
lighting solution**



Product structure and light distribution



Sun Stay solar Lighting

SunStay, all-in-one solar lighting, offers the high brightness with the low blackout risk. With motion sensor modifying the lighting according to human presence, it is the truly kind of green and smart solar lighting.

Benefits and features



Easy to install

Can be installed on vertical poles or horizontal arms with 0 to 15 degree adjustable angle



Long Lifetime

LiFePO4 battery gives long lifetime and high safety standard



Water and dust proof

IP65 certified, withstands extreme weather conditions.



Smart PIR sensor to saves energy

Built in PIR sensor can detect people's motion to save energy by light dimming.



High efficiency

Delivers 175 lumen/watt



Safety

Self diagnosis with LED indicators of battery charging and discharging

Applications



Class A and B roads



Rural areas villages

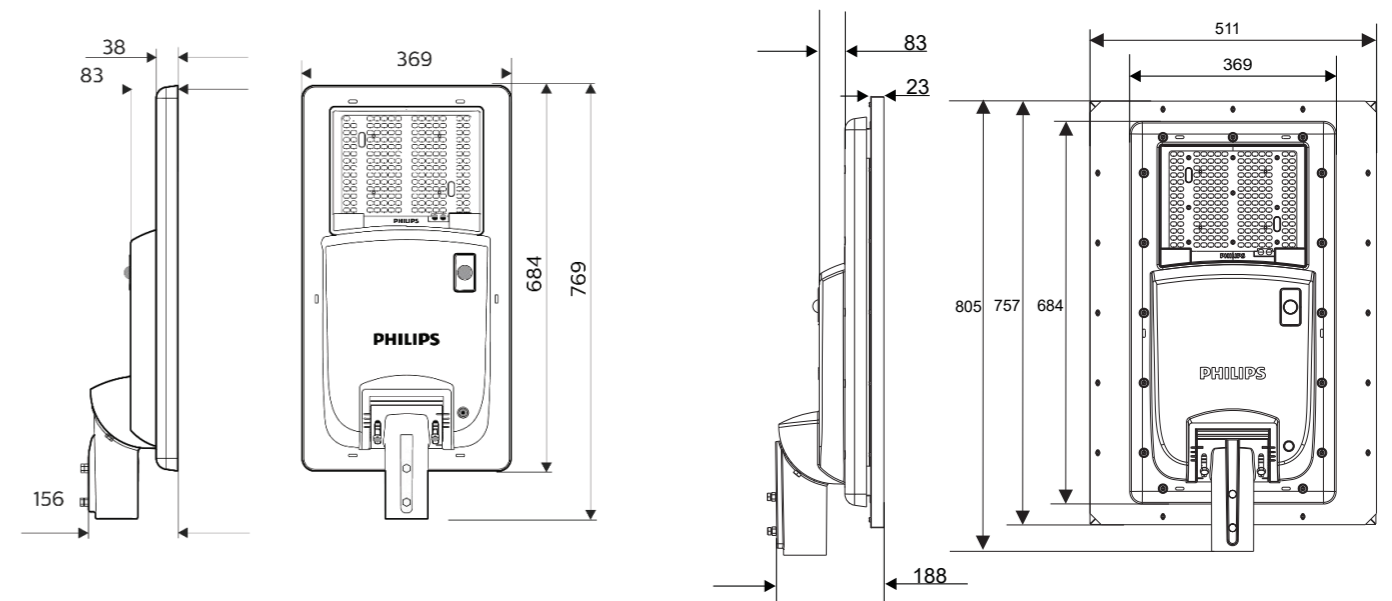


Parks

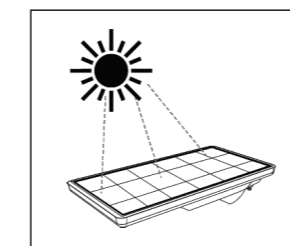


Industries and schools

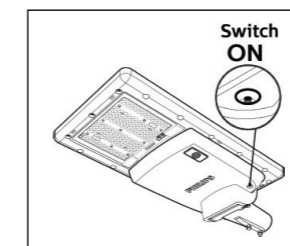
Product dimensions



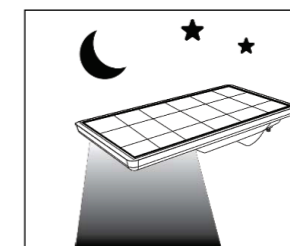
Installation guide



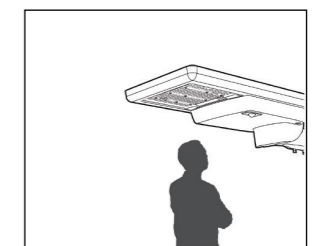
Adjust solar panel facing to sun trajectory to charge the battery fully



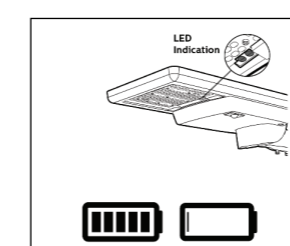
Install and switch on the product for no darkness



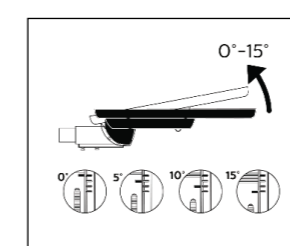
Solar panel senses darkness and it switches on during night automatically



PIR sensor detects human body movement to change lighting levels



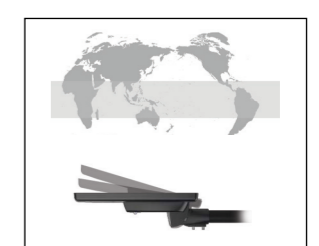
For self diagnosis, LED indications displays the battery condition



With smart pole mount markings, the angle can be adjusted easily



Can be installed on vertical poles or horizontal arms



The most adapting areas are around the equator

Technical specifications

Specifications	2000 lm	3000lm	4500lm
System wattage	12V DC, 11 watts	12V DC, 17 watts	12V DC, 26 Watts
System lumen output	>2000lm	>3000	4500
System efficacy	175lm/W		
Solar panel module capacity	28Watts	35 Watts	60W
Solar cell type	Polycrystalline	Monocrystalline	
Battery type	Lithium Ferro Phosphate, LiFePo4		
Battery capacity	>170Wh	>256Wh	>384Wh
Charging electronics	Integrated MPPT charger with driver		
Driver efficiency	>90%		
IP Rating	IP65		
Housing	Aluminium pressure die cast		
Front cover	UV stablized polycarbonate cover		
Color temperature	3000K, 4000K, 5700K	5700K	
CRI	>70		
Motion sensor	In-built PIR sensor		
Switch for On-Off	Provided		
Charging and discharging indicator	Provided		
Mounting	Horizontal and vertical pole mounting options		
Adjustable tilt angle	0-15 degree adjustable		
Outer mounting diameter	48-60 mm		
Operating humidity	up to 95%		
Max pole height	5mtrs above the ground	6 mtrs above the ground	6 mtrs above the ground
Certification	CE		
Dimming profile	<ul style="list-style-type: none"> •First 5 hours from dusk: Sensor enabled with luminaire at 30% if presence detected, luminaire goes to 100% •Next 5 hours: Sensor disabled with fixed 30% brightness •Next: Sensor enabled till dawn with luminaire at 30%, if presence detected, luminaire goes to 100% 		

Ordering data

12NC	Description	Qty/box	Gross Weight (kg)	Net Weight (kg)
919515812973	BRP710 LED20 NW MR 28PO PDIM50 Solar IN	1	9	12.5
919515812974	BRP710 LED20 NW MR 35MO PDIM50 Solar IN	1	9	12.5
919515812975	BRP710 LED20 NW MR 35MO FDIM50 Solar IN	1	9	12.5
919515812976	BRP710 LED20 NW MR 12V 35MO Solar IN	1	9	12.5
919515812961	BRP710 LED20 WW MR 28PO PDIM50 Solar IN	1	9	12.5
919515812962	BRP710 LED20 WW MR 35MO PDIM50 Solar IN	1	9	12.5
919515812963	BRP710 LED20 WW MR 35MO FDIM50 Solar IN	1	9	12.5
919515812964	BRP710 LED20 WW MR 12V 35MO Solar IN	1	9	12.5
919515812389	BRP710 LED20 CW MR S1 12V LFP AIO Solar Equip IN	1	9	12.5
919515812390	BRP710 LED 30 CW MR S1 12V LFP AIO Solar Equip IN	1	10.5	14
919515812831	BRP710 LED45 CW MR S1 12V FD30 Solar IN	1	19	22.5
919515812830	BRP710 LED45 CW MR S1 12V LFP Solar IN	1	19	22.5

