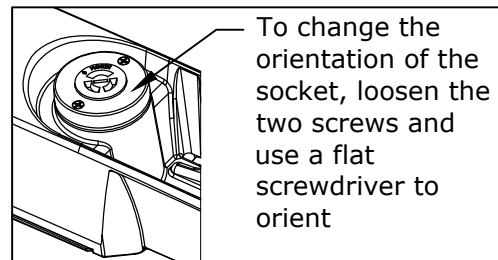


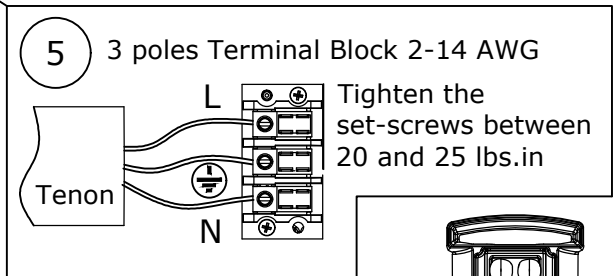
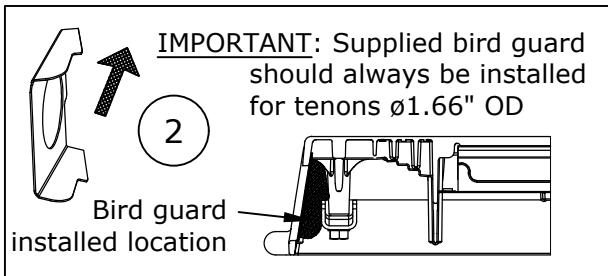
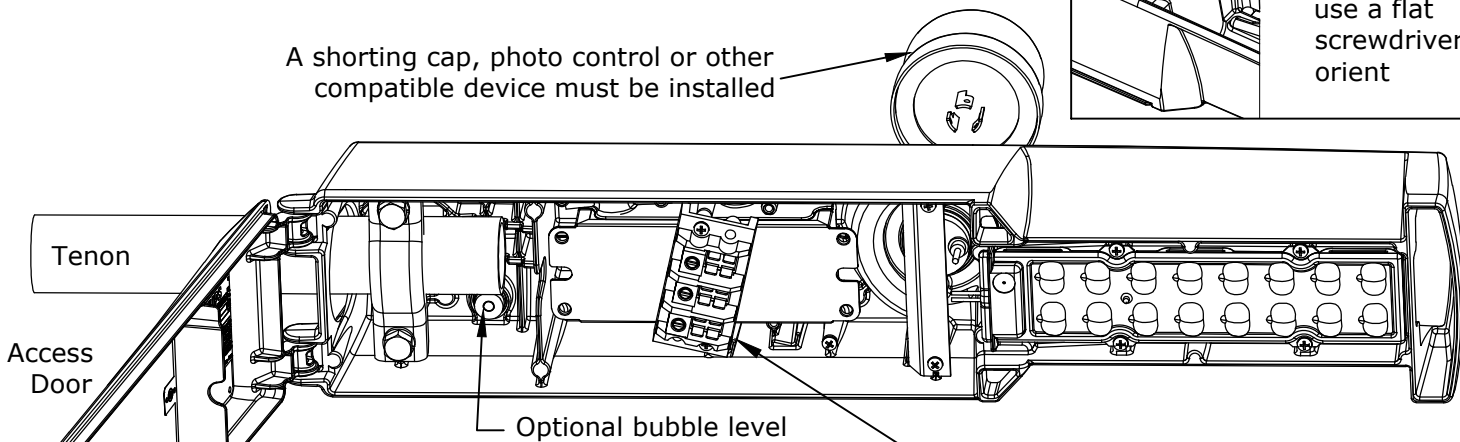
READ THESE INSTRUCTIONS CAREFULLY BEFORE INSTALLING THIS FIXTURE

**CAUTION: THE ELECTRICAL POWER MUST BE DISCONNECTED BEFORE OPENING THE FIXTURE
FAILURE TO FOLLOW THE INSTALLATION DOCUMENTATION OR OPERATING THIS PRODUCT
OTHERWISE THAN FOR ITS INTENDED USE VOIDS THE WARRANTY**

1. Compress the latch to release the access door
2. Install the bird guard for $\varnothing 1.66''$ tenon before sliding the fixture onto the tenon. See the important note below
3. Disconnect power and slide the fixture onto the tenon. See table for approximate penetration
Horizontal angle can be adjusted in 2.5° steps
4. Evenly tighten the two bolts of the bracket
IMPORTANT: Tighten the two bolts at 135 lbs.in (11.25 lbs.ft)
5. Connect the service leads to the terminal block
Tighten the set-screws between 20 and 25 lbs.in



A shorting cap, photo control or other compatible device must be installed



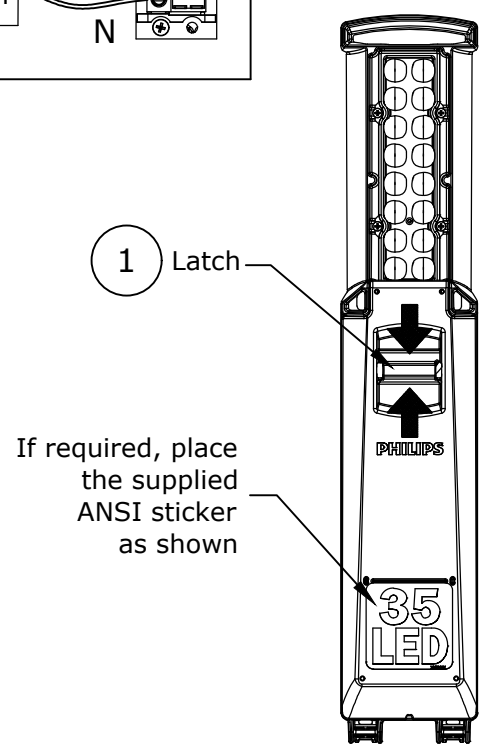
LEVEL The optional bubble level may be used

3

ANGLE	TENON PENETRATION
-5°	2.7"
-2.5°	3.1"
0°	3.4"
2.5°	3.8"
5°	4.1"

4

Tighten the two bolts @ 135 lbs.in (11.25 lbs.ft)



DESIGNER:	DATE:	TITRE/TITLE:		
VERIF./INSPEC.:	DATE:	MINIVIEW SVS		
		5013253201	REV.:	0