

Recessed LED

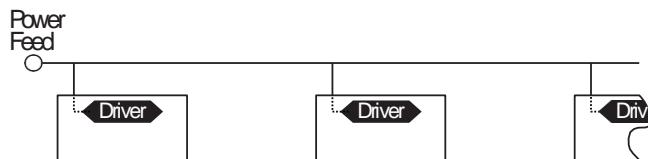
ArcForm (36), PureFX (94), Vectra (97) and Voice (98)

Standalone
Installation Instructions



by Signify

IMPORTANT: Read all instructions including fixture wiring AND mechanical details before beginning installation

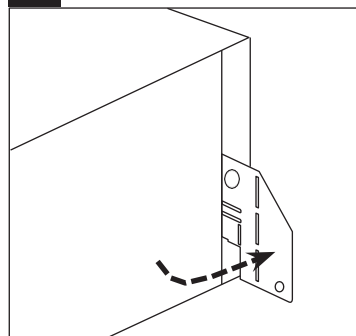


Every fixture contains its own driver and receives a direct power feed.

! DRYWALL & AIR RETURN

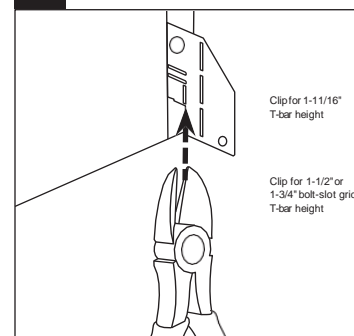
If installing in DRYWALL or if fixture includes AIR RETURN, some steps on this instruction sheet may not be applicable. Refer to separate drywall and air return instruction sheets.

1 Bend mounting tab



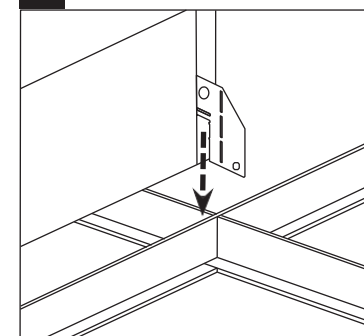
Bend out mounting tab 90 degrees on each corner.

2 Adjust height of tab



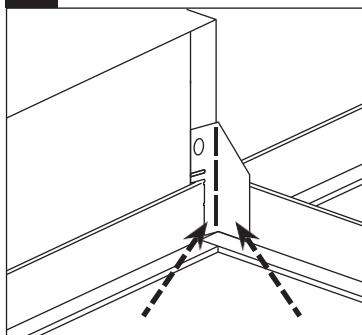
Use side cutters to adjust each tab to height of T-grid.

3 Lay fixture into T-grid



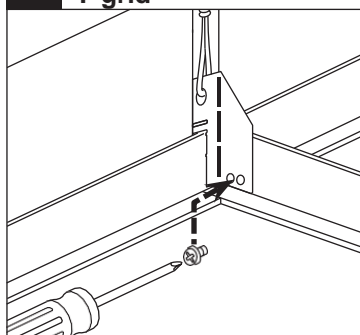
Lay fixture into T-grid.

4 Bend tabs flush



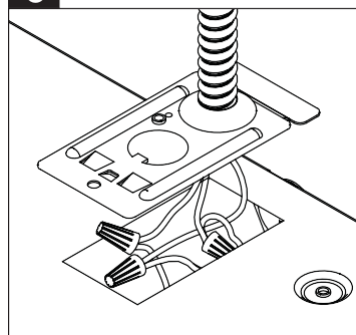
Bend tabs flush against T-grid in order to clear corner for ceiling tile.

5 Fasten fixture to T-grid



Use a #8x1/4" sheet metal screw to fasten fixture to T-grid and use a hanger wire to tie off appropriately in accordance with local building codes (screws and hanger wires supplied by others).

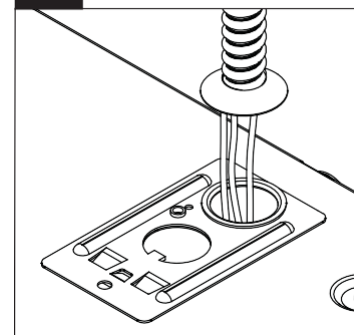
6 Electrical connections



Make all electrical connections to the fixture.

Note: For flex whip option, see Step 6a.

6a Flex whip (optional)



Optional Flex whip is prewired inside fixture. Remove packaging and insert snap-in fitting into wiring cover. Complete electrical connections at other end of whip in accordance with local building codes.



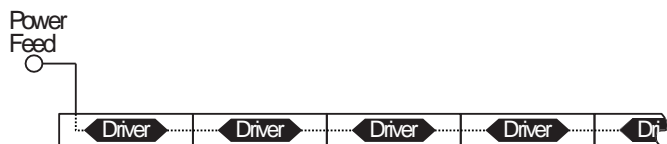
ATTENTION: Install in accordance with national and local building and electrical codes.

Page 1

Recessed LED

ArcForm (36), PureFX (94), Vectra (97) and Voice (98)

Continuous Row Installation Instructions

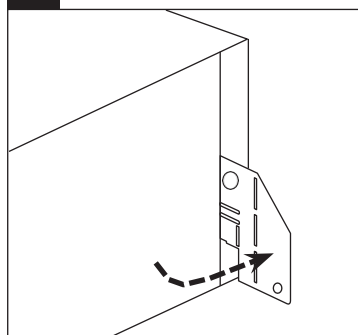


Fixtures are joined together in a continuous row and serviced by one power feed. Thru-wiring is provided, with quick-wire connectors and knock-outs at fixture ends. Every fixture contains its own driver.

DRYWALL

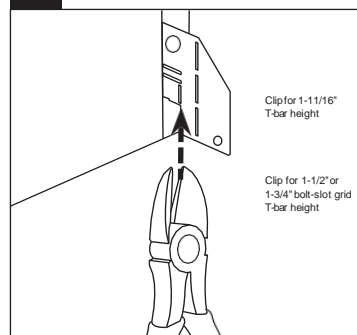
If installing in DRYWALL, some steps on this instruction sheet may not be applicable. Refer to separate drywall instruction sheet.

1 Bend mounting tab



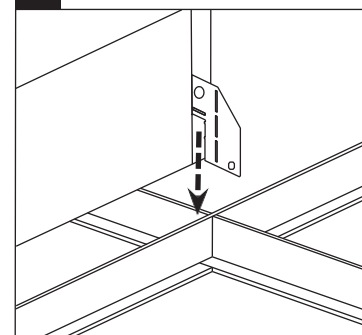
Bend out mounting tab 90 degrees on each corner.

2 Adjust height of tab



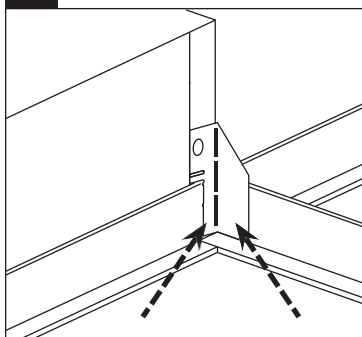
Use side cutters to adjust each tab to height of T-grid.

3 Lay fixture into T-grid



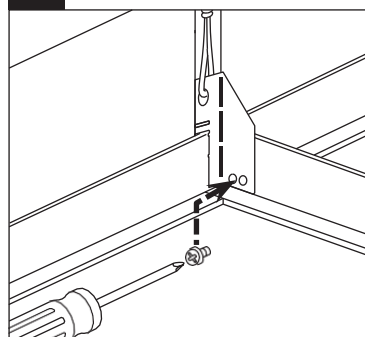
Lay fixture into T-grid grid.

4 Bend tabs flush



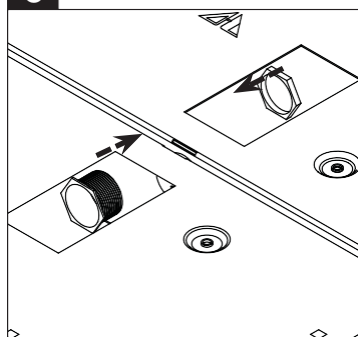
Bend tabs flush against T-grid in order to clear corner for ceiling tile.

5 Fasten fixture to T-grid



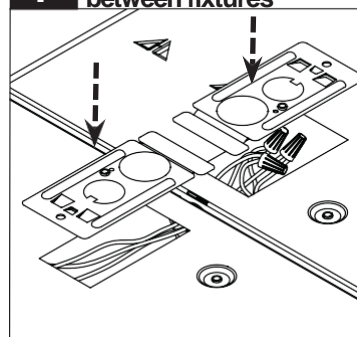
Use a #8x1/4" sheet metal screw to fasten fixture to T-grid and use a hanger wire to tie off appropriately in accordance with local building codes (screws and hanger wires supplied by others).

6 Attach adjacent fixtures



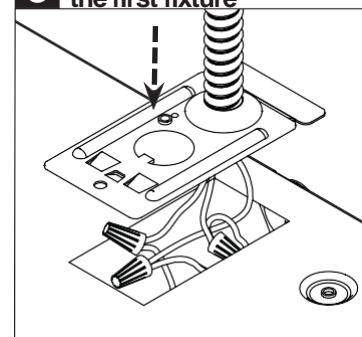
Remove connecting knock-outs and attach adjacent fixtures to the T-grid following steps 1-5. Place a 1/2" nipple through the knock-out hole between the fixtures. Fasten with a 1/2" NPT lock nut (nipple and lock nut supplied by others).

7 Electrical connections between fixtures



Feed the wires through the nipple and make all the electrical connections between the fixtures following the correct wiring color code. Attach the wiring access cover plates.

8 Electrical connection to the first fixture



Ensure that the wiring of the last fixture in the row is properly terminated. Then make all electrical connections to the first fixture in the row. Attach the wiring access cover plates.

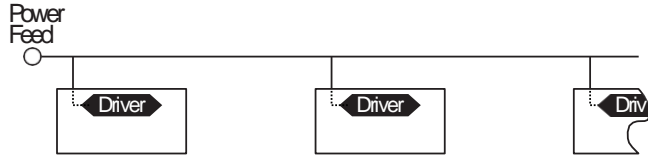


ATTENTION: Install in accordance with national and local building and electrical codes.

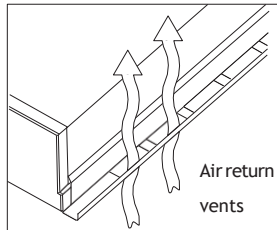
Recessed LED

ArcForm (36), PureFX (94), Vectra (97) and Voice (98)

2x2 Air Return Version
Installation Instructions

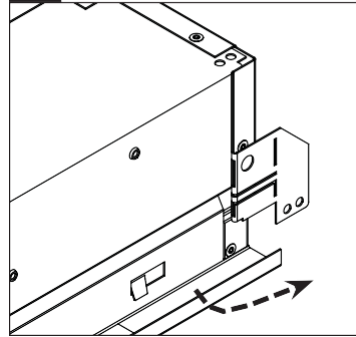


Every fixture contains its own driver and receives a direct power feed.



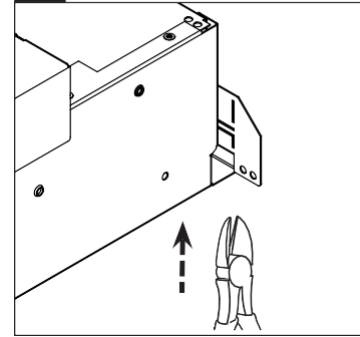
The air return version features slotted vents along the sides of the fixture. As a result, the installation method of the air return version is different to the standard version, and the fixture cannot be installed in continuous rows.

1 Bend mounting tab



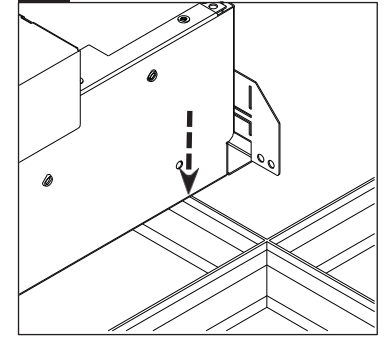
Bend out mounting tab 180 degrees on each corner.

2 Adjust height of tab



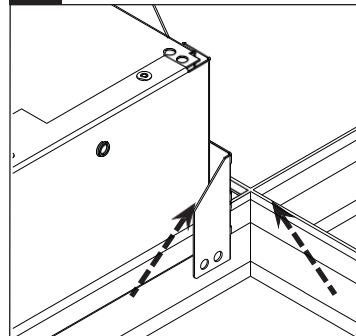
Use side cutters to adjust each tab to the height of the T-bar.

3 Lay fixture into T-grid



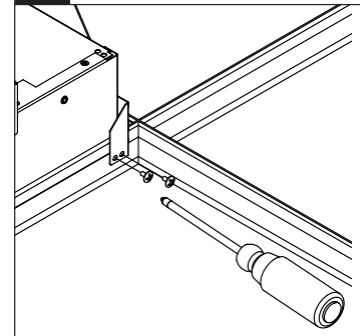
Lay fixture into T-grid.

4 Bend tabs flush



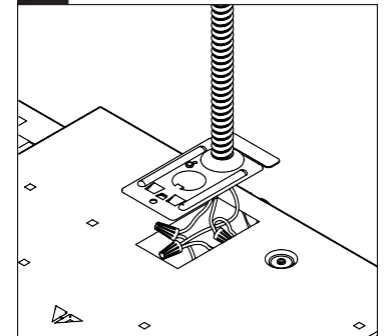
Bend tabs flush against the T-bar in order to clear the ceiling tile.

5 Fasten fixture to T-grid



Use a #8x1/4 sheet metal screw to fasten fixture to the T-bar grid and use a hanger wire to tie off appropriately in accordance with local building codes (screws and hanger wires supplied by others).

6 Electrical connections



Make all electrical connections to the fixture.



ATTENTION: Install in accordance with national and local building and electrical codes.

Recessed LED

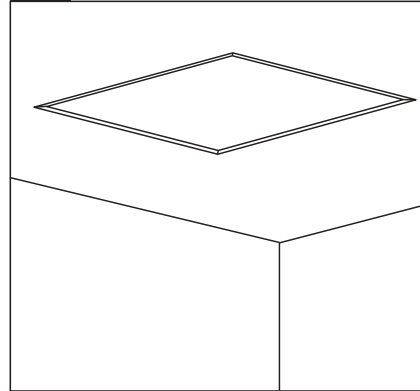
ArcForm (36), PureFX (94), Vectra (97) and Voice (98)

Installation in Drywall or Ceilings
Requiring Flanges

! IMPORTANT

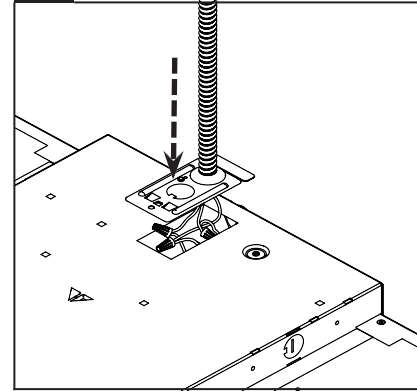
If you are installing any configuration type other than standalone, additional steps are required for wiring. Please refer to the installation instructions for that configuration type to determine wiring requirements.

1 Install drywall kit



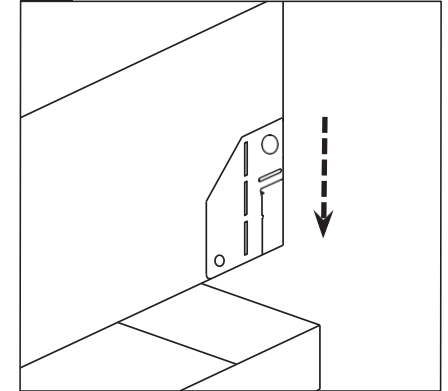
Install drywall kit frame in ceiling. Refer to Drywall Kit specification sheet for mounting options and ceiling opening sizes.

2 Make all electrical connections



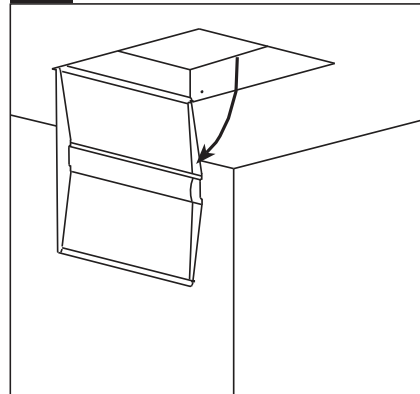
Make all electrical connections to the fixture. Attach wire access cover plate.

3 Lay fixture into drywall kit frame



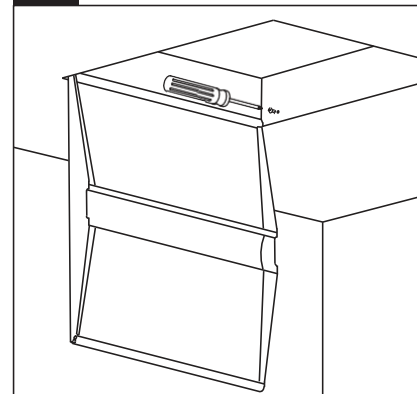
Lay fixture into drywall kit frame.

4 Open lens frame



Push up on center channel of lens frame and shift in direction of hinges. Lens frame will then swing open in a downward direction. If fixture has lens frame restraint, release by pressing inwards.

5 Fasten fixture



Use a #8x1/4" sheet metal screw (supplied by others) to fasten fixture to drywall kit frame from inside of housing. Repeat on each corner.

This equipment has been tested and found to comply with the limits for a Class A digital device, pursuant to part 15 of the FCC Rules. These limits are designed to provide reasonable protection against harmful interference when the equipment is operated in a commercial environment. This equipment generates, uses, and can radiate radio frequency energy and, if not installed and used in accordance with the instruction manual, may cause harmful interference to radio communications. Operation of this equipment in a residential area is likely to cause harmful interference in which case the user will be required to correct the interference at his own expense.



ATTENTION: Install in accordance with national and local building and electrical codes.