

# CHLORIDE

## SoftGlo Recessed LED Night Light

Service Questions Call: 910-259-1000

### IMPORTANT SAFEGUARDS

When using electrical equipment, basic safety precautions should always be followed, including the following:

### READ AND FOLLOW ALL SAFETY INSTRUCTIONS

All servicing should be performed by qualified personnel only.

Equipment should be mounted in locations and at heights where it will not be readily subjected to tampering by unauthorized personnel.

The use of accessory equipment not recommended by the manufacturer may cause an unsafe condition.

Do not use this equipment for other than intended use.

Do not use outdoors.

Do not let supply cords touch hot surfaces.

Do not mount near gas or electric heaters.

### INSTALLATION AND OPERATING INSTRUCTIONS

Use caution when servicing batteries. Battery acid can cause burns to skin and eyes. If acid is spilled on skin or eyes, flush acid with fresh water and contact a physician immediately.

**CAUTION:** To avoid electrical overload, total connected lamp load (factory and field installed) should not exceed output rating.

### SAVE THESE INSTRUCTIONS

**WARNING** – Shut off AC power to branch circuits to which units will be connected. All wiring should be per N.E.C. Articles 501-4(b) and local codes.

To maintain warranty, equipment with batteries must be installed or placed on charge within prescribed period after shipment.

**CHLORIDE**

Signify North America Corporation  
200 Franklin Square Drive  
Somerset, NJ 08873, USA  
Phone: 855-486-2216  
[www.chloride-lighting.com](http://www.chloride-lighting.com)

Signify Canada Ltd./Signify Canada Ltée.  
281 Hillmount Road,  
Markham, ON, Canada L6C 2S3  
Phone: 800-668-9008

July 2018  
443580498121

## OVERVIEW

Read through the entire Installation Instructions prior to beginning the installation.

### A. PROCEDURE

1. Attach the expandable hanger bars to the back box using the wing nuts provided (as shown in Figure 1).
2. Select a suitable location for the fixture. The mounting brackets may be expanded to secure the back box between studs that are on either 16" or 24" centers.
3. Insert the supply wiring at the rear or at the side of the back box through one of the three (3) knockout holes provided. Attach conduit as required.
4. Situate the back box between the wooden studs. Expand the bracket ends to the studs and initially secure them by hammering their wood spikes into the studs.
5. Loosen the wing nuts and ensure that when the back box is moved forward its edges will be flush with the exposed surface of the wall material to be installed. Relocate as required.
6. Nail each bracket end in place against the stud as shown in Figure 2.
7. Locate the back box in each direction as required for flush mounting with wall material to be installed.
8. Tighten the four wing nuts and then crimp each yoke bracket firmly onto the rails as shown in Figure 2. This will prevent left/right movement of the back box.

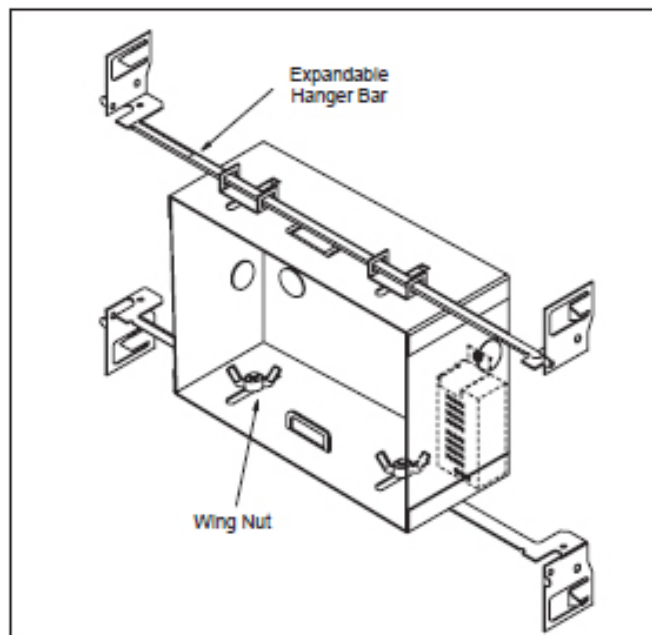


Figure 1

**CHLORIDE**

Signify North America Corporation  
200 Franklin Square Drive  
Somerset, NJ 08873, USA  
Phone: 855-486-2216

[www.chloride-lighting.com](http://www.chloride-lighting.com)

Signify Canada Ltd./Signify Canada Ltée.  
281 Hillmount Road,  
Markham, ON, Canada L6C 2S3  
Phone: 800-668-9008

July 2018  
443580498121

## B. WIRING CONNECTIONS

9. Connect the supply ground (green) wire to the grounding stud inside the back box. Connect the AC supply hot (black) lead to the black lead of the LED power supply. Connect the AC neutral (white) lead to the white lead of the LED power supply.

## C. FACEPLATE INSTALLATION

10. Connect the lead extending from the faceplate to the LED power supply lead with the quick disconnect connector (Fig. 3).
11. Apply power and confirm proper operation of the LED board.
12. Install the faceplate by squeezing the wire springs together and inserting them into the upper and lower retainer hoops as shown in Figure 4.

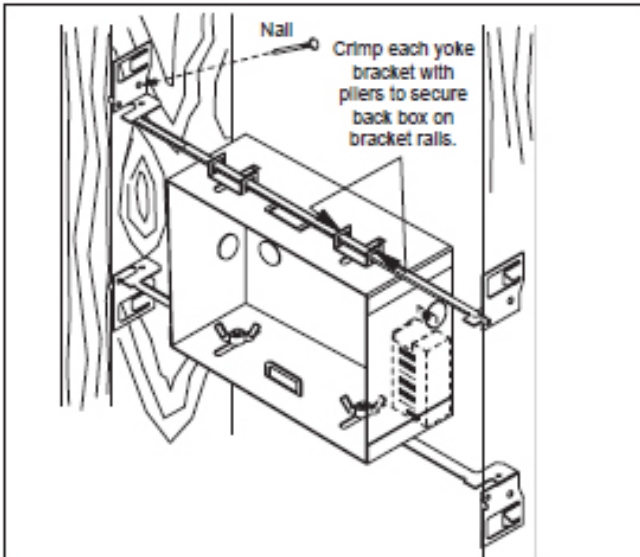


Figure 2

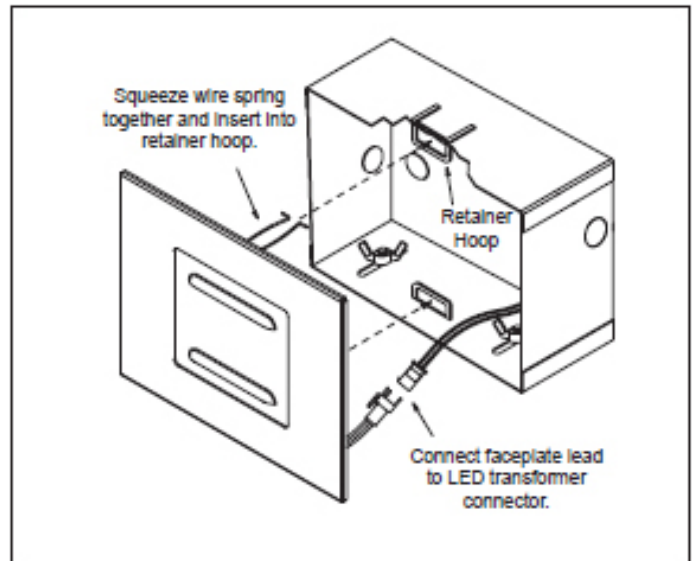


Figure 3

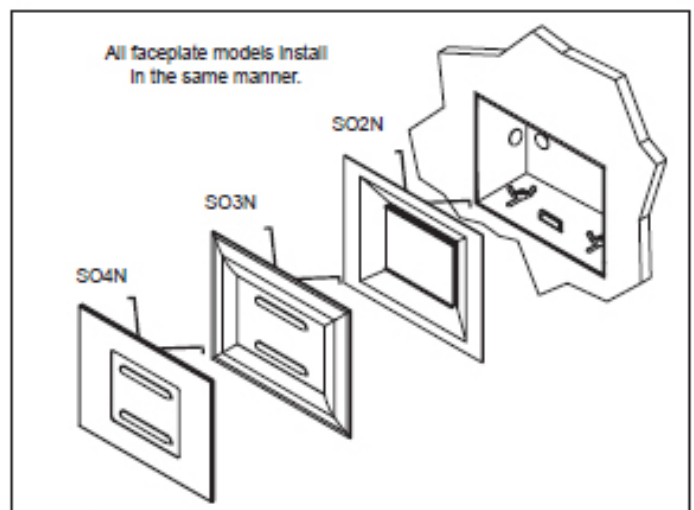


Figure 4

# CHLORIDE

Signify North America Corporation  
200 Franklin Square Drive  
Somerset, NJ 08873, USA  
Phone: 855-486-2216  
[www.chloride-lighting.com](http://www.chloride-lighting.com)

Signify Canada Ltd./Signify Canada Ltée.  
281 Hillmount Road,  
Markham, ON, Canada L6C 2S3  
Phone: 800-668-9008

July 2018  
443580498121