

Read and understand these instructions before installing fixture.

This fixture is intended for installation in accordance with the National Electrical Code and local regulations. To assure full compliance with local codes and regulations, check with your local electrical inspector before installation. To prevent electrical shock, turn off electricity at fuse box before proceeding. Retain these instructions for maintenance reference.

- **CAUTION: (RISK OF FIRE)** Do not install insulation within 3" of fixture sides or wiring compartment, nor above fixture in such a manner so as to entrap heat.
- **CAUTION:** Use only reflector trims provided by Lightolier. Use of other manufacturers' reflector trims may void the Underwriters Laboratories listing and could constitute a fire hazard.

Items needed for the installation:

1. Rough-in section
2. Wire nuts
3. Phillips and flat head screwdrivers or alternatively a 1/4" socket and driver.

Rough-In Section Installation

The C4LA15N series rough-in section comes with two mounting systems. Each system has multiple configurations to accommodate commercial and residential installs. The instructions below will go into detail for each system. NOTE: To ensure proper installation it is important the rough-in section is always secured to structural ceiling members.

System 1: Universal Mounting Bracket

The brackets can be configured in the three methods shown. Figure 1a uses T-grid mounting bars, 18" (#1950) or 27" (#1951). Figure 1b is customer supplied EMT conduit. The mounting bracket has many features to make custom mounting bars. To secure chosen mounting bars properly bend mounting bracket as shown in figure 2.

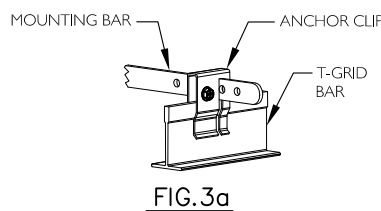
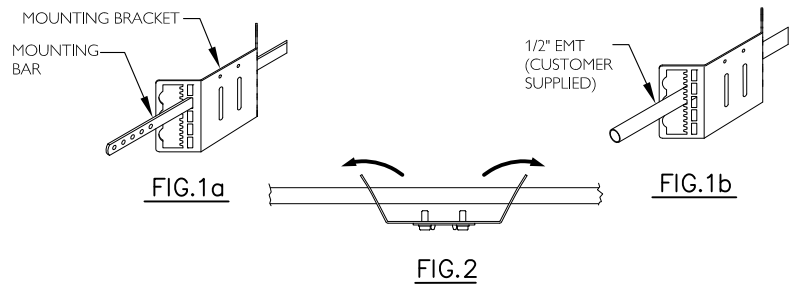


FIG.3a

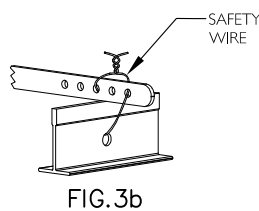


FIG.3b

For suspended ceiling installation

Install on T-grid with mounting bars shown in figure 1a. To secure bars to the T-grid use T-bar anchor clips as shown in figure 3a. Securing the bars may also be achieved with safety wire as shown in figure 3b.

System 2: Adjustable Mounting Bars

Using the supplied screws mount the rough-in section as shown in figure 4a. CAUTION: Be certain mounting bars are locked together (see arrow) before repositioning support while rough-in section is in the figure 4a position. Then swing up into position (automatically disengages lock) and secure to adjacent joist. This system can accommodate different joist spacing as shown in figure 4b.

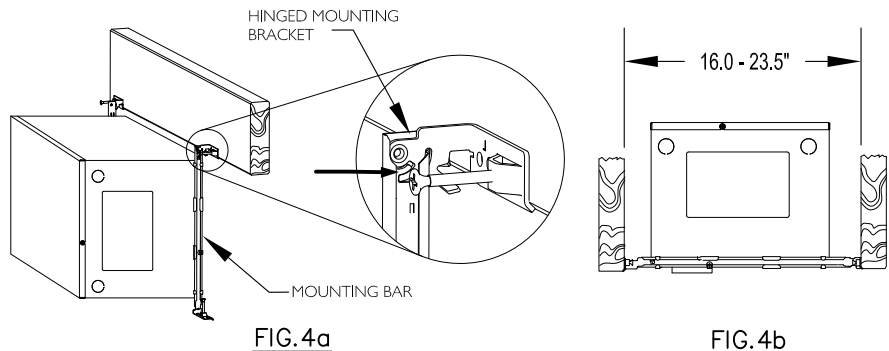


FIG.4a

FIG.4b

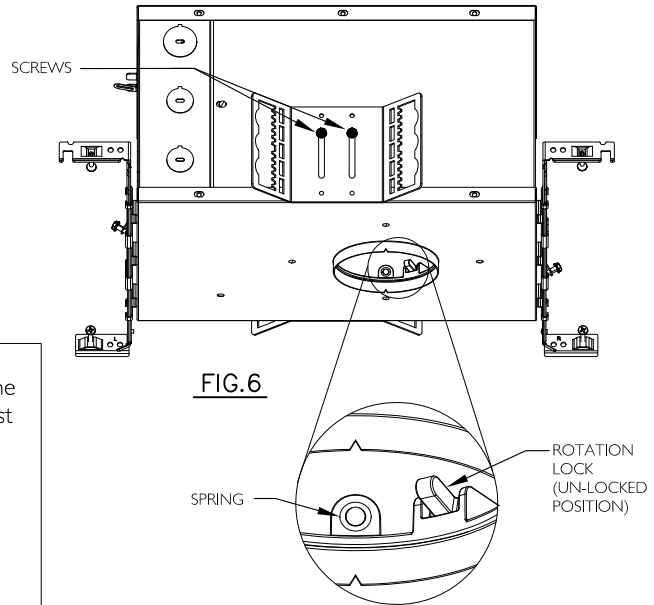
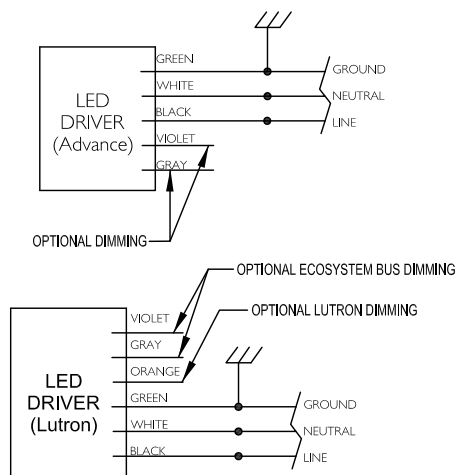
NOTE FOR 16" SPACING: When installing C4LA15N into 16" spacing, remove the wing brackets and place the screws back in their original holes. The frame must be installed upright as shown in figure 4b, without using the swing feature of the mounting bars.

Additional Installation Features

The rough-in section is height adjustable when using the universal mounting bracket to secure within the ceiling. This is accomplished by loosening the screws (both sides of rough-in section) highlighted in figure 6. Second, this rough-in section has a rotational feature for finishing section adjustment. This feature will be locked from the factory in a pre-set position. If adjustment is necessary; pull lock down. Rotate and push back up into the vertical position before inserting a finishing section.

Wiring Instructions

C4LA15N SERIES has multiple driver options. Below is typical of the wiring used. **CAUTION:** To reduce risk of electric shock wires must not be energized while connecting.



Driver Removal/Replacement

Locate the knurled nut holding the driver door in place, as shown in figure 7a. Removing the nut will allow the door to open. Pull the door, with driver attached, through the opening.

Disconnect driver from harness, line, neutral and ground connections, and remove the nuts fixing it to the door.

When replacing the door, line the bottom pegs up as shown in figure 7b. Tilt the door into position (with driver inside JBOX), ensuring wires are not pinched, and replace the knurled nut.

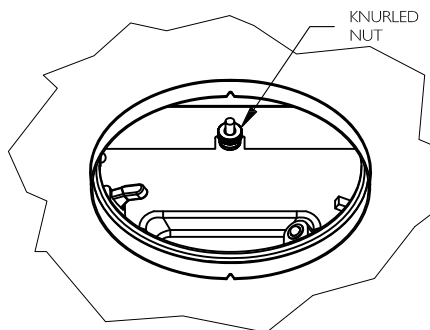


FIG. 7a

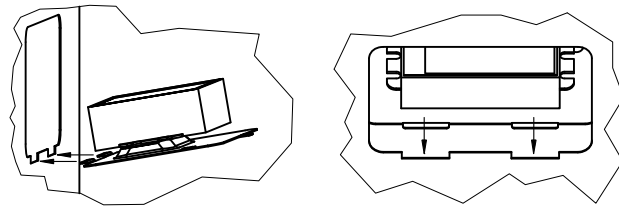


FIG. 7b

