

**READ AND UNDERSTAND THESE INSTRUCTIONS BEFORE INSTALLING FIXTURE.
FOR USE WITH LYTESPAN® TRACK SYSTEMS ONLY**

This fixture is intended for installation in accordance with the National Electric Code and local regulations. To assure full compliance with local codes and regulations, check with your local inspector before installation. To prevent electrical shock, turn off electricity at fuse box before proceeding.

Retain these instructions for maintenance reference.

INSTRUCTION SHEET NO.

IS:9173B

0395

Page 1 of 2

**INSTRUCTIONS FOR ATTACHING MINIFORMS® SPOTS
TO LYTESPAN® TRACK**

INSTRUCTIONS FOR ATTACHING MINIFORMS® SPOTS TO SINGLE CIRCUIT TRACK SYSTEM

1. Insert into LYTESPAN TRACK (see Fig.1). LOCKING LEVER must be in same side of track as BEAD.
2. Rotate FITTING 90° clockwise (see Fig.2).
3. Rotate FITTING until LOCKING LEVER snaps and locks in place (see Fig. 3.)
4. To remove: depress LOCKING LEVER, then rotate FITTING 90° counterclockwise.

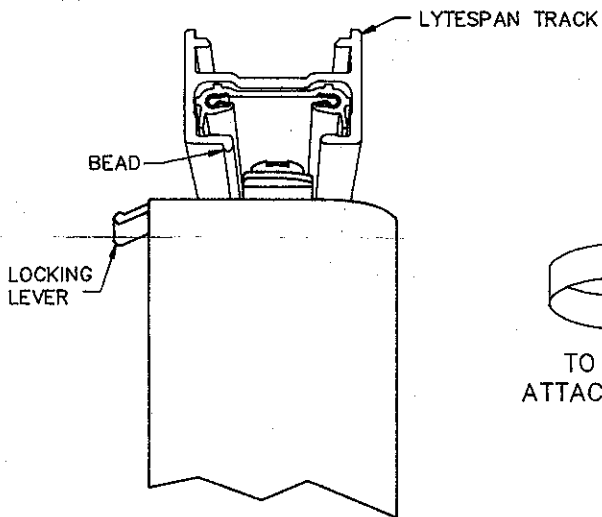


FIG. 1

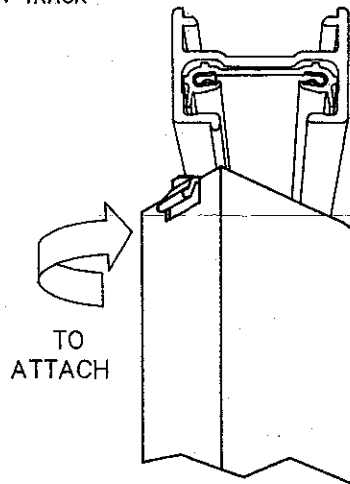


FIG. 2

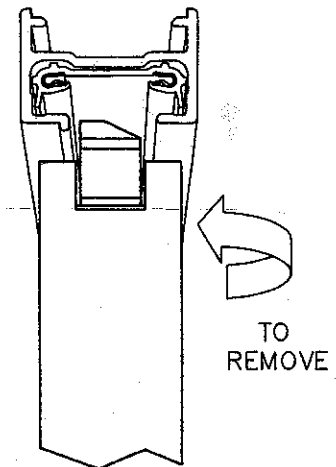


FIG. 3

**INSTRUCTIONS FOR CONVERTING LOW VOLTAGE MINIFORMS®
ATTACHMENT FITTING TO OPERATE ON 2 CIRCUIT TRACK**

(See Fig.4) BRASS CONTACT can be raised or lowered. Broken line indicates position for 1 circuit or lower circuit of 2 circuit track system.

To convert attachment FITTING for upper circuit of 2 circuit track, raise BRASS CONTACT to high position by lifting CONTACT as high as stop permits and CONTACT clicks into place.

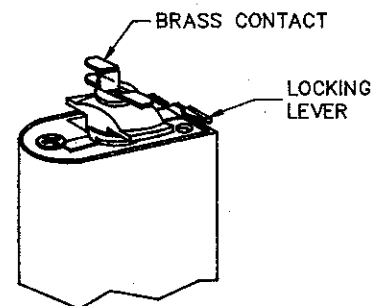


FIG. 4

SEE BACK FOR LAMPING

INSTRUCTIONS FOR LAMPING AND
ADJUSTING MINIFORMS® SPOTS

1. Check to see that power is off when lamping or relamping.
2. Insert the two LAMP PINS into the SOCKET HOLES (see Fig. 5).
3. Insert LAMP ASSEMBLY into the lamp HOUSING, making sure that the LAMP RIM snaps under the LAMP SPRING (see Fig. 6).
4. To aim fixture, rotate as shown in Fig. 7.

NOTE: When using an open lamp, make sure the GLASS SHIELD is in place before inserting the lamp.

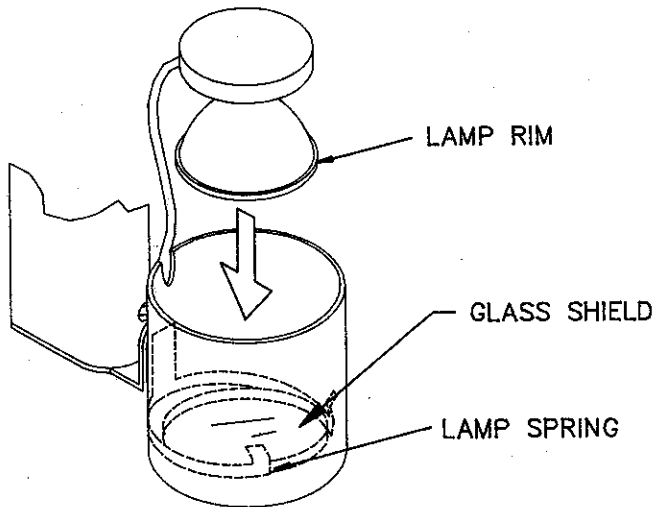


FIG. 6

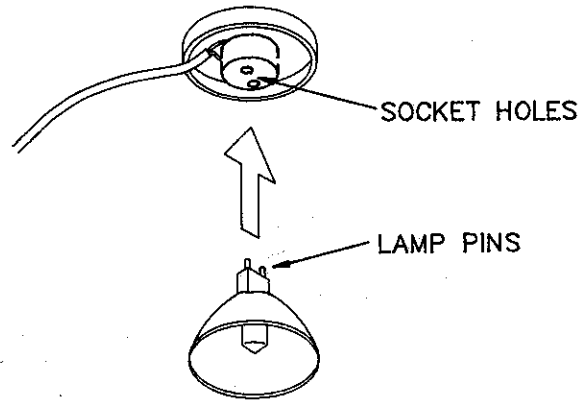


FIG. 5

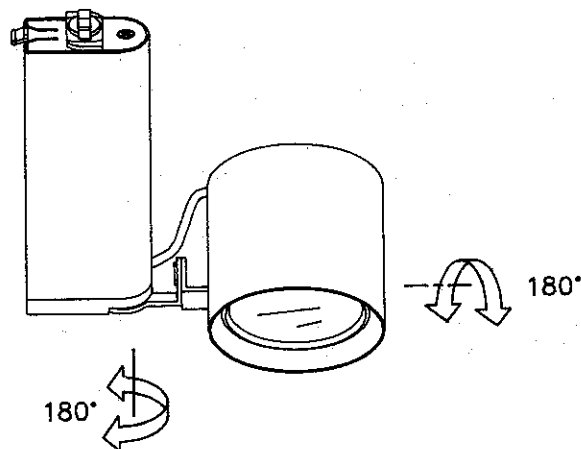


FIG. 7