



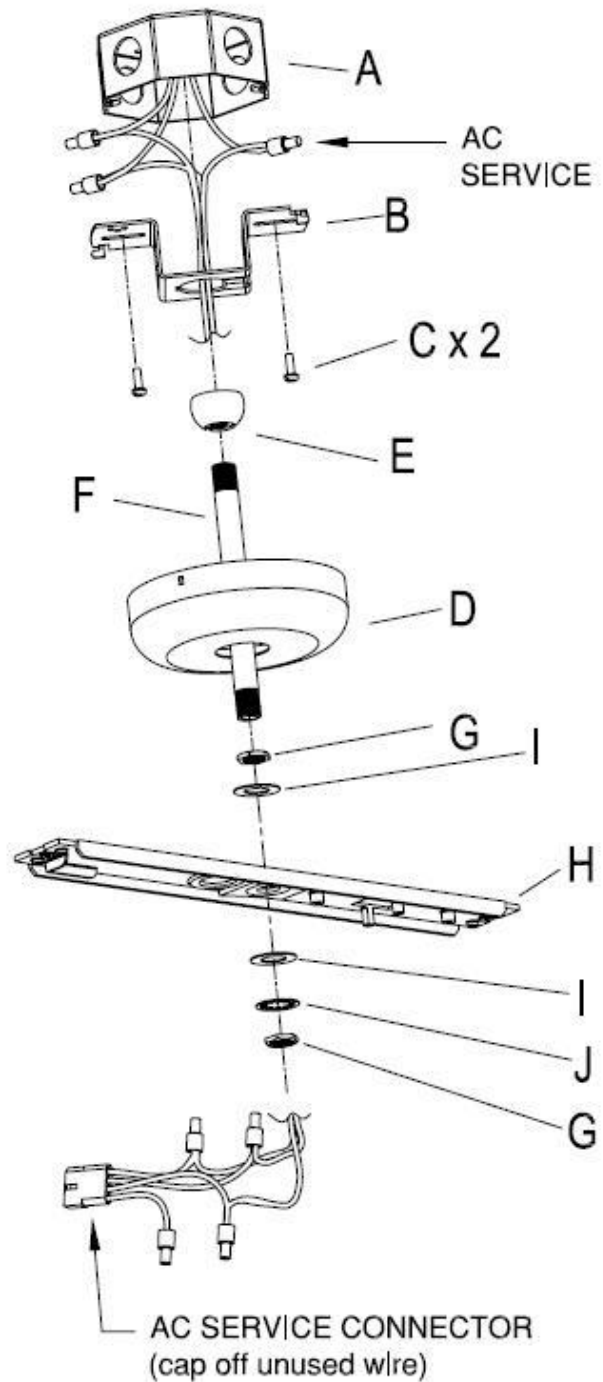
## Caliber Series Pendant Kit

### INSTALLATION INSTRUCTIONS

Follow installation procedure in instructions supplied with Caliber unit with the following exceptions:

- (1): Remove center knockout in backplate (H)
- (2): Assemble one end of pendant stem (F) to backplate using locknuts (G) and washers (I) and (J) as shown.
- (3): Assemble canopy (D), pivot ball (E) and remaining end of pendant stem together as shown
- (4): Assemble cross bar (B) to outlet box.
- (5): Feed an appropriate length of AC service wire through pendant stem assembly and cross bar.
- (6): make AC connections at outlet box and snap canopy over cross bar.
- (7): Complete assembly per unit instructions.

PART CODE	DESCRIPTION	QTY.
A	OUTLET BOX - BY OTHERS	1
B	CROSSBAR	1
C	SCREW - BY OTHERS	2
D	CANOPY	1
E	BALL PIVOT	1
F	PENDANT STEM	1
G	LOCKNUT 1/4 I.P.	2
H	UNIT BACKPLATE	1
I	FLAT WASHER 1/2" x 7/8"	2
J	LOCK WASHER 1/4 I.P.	1



Philips Lighting North America Corporation  
200 Franklin Square Drive  
Somerset, NJ 08873, USA  
Phone: 855-486-2216  
[www.philips.com/luminaires](http://www.philips.com/luminaires)

Philips Lighting Canada Ltd.  
281 Hillmount Road,  
Markham ON, Canada L6C 2S3  
Phone: 800-668-9008  
[www.philips.com/luminaires](http://www.philips.com/luminaires)

9140053128  
February 2016