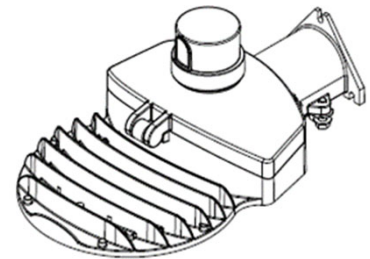
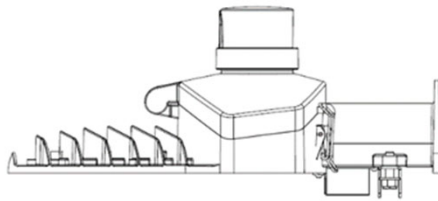
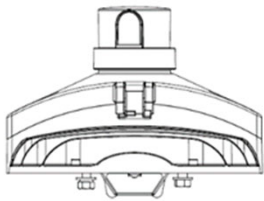




INSTRUCTION SHEET ROADWAY SECURITY LIGHT SMALL & MEDIUM (RSLs-40W & RSLM-70W)



Extension Arm Mounting Instructions

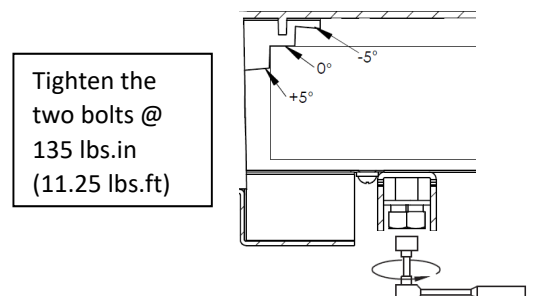
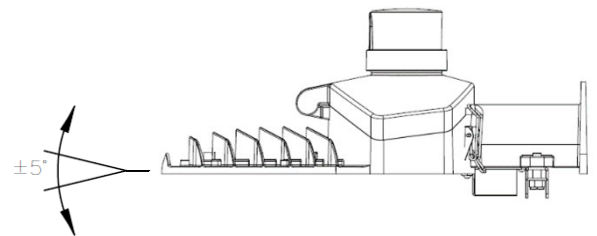
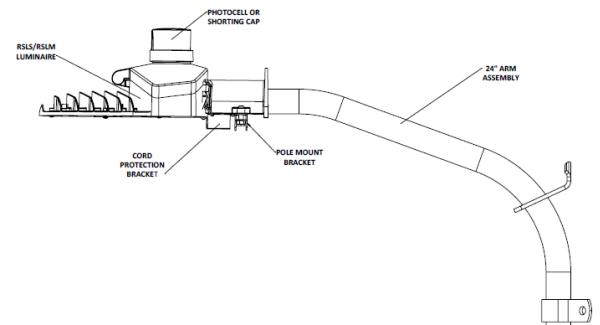
Please note: Extension Arm sold separately. Signify arm recommended.

WARNING: Installer must assure suitability of arm if Signify arm is not used.

1. Ensure supply power is switched off and pull loose supply wires/conduit through arm assembly.
2. Place the extension arm assembly onto the mounting surface and mark the three hole locations for mounting.

WARNING: Installer must assure suitability of the surface to safely support the luminaire. Do not install if any parts are damaged.

3. Remove the arm assembly and use 11/64" drill for the three locations. Place the assembly on the location again and mount extension arm using (3) 5/16-3" hex head lag bolts provided. Tighten bolts to 12 ft.lbs.
4. Remove cord protection bracket from fixture by loosening the three philips head screws and set aside for later.
5. Slide the fixture onto the arm. See diagram for approximate penetration. Horizontal angle can be adjusted in 5° steps.
6. Ensure proper side of pole mount bracket is used depending on pole diameter. Evenly tighten the two bolts for the pole mount bracket. **IMPORTANT:** Tighten the two bolts to 135 lbs.in (11.25 lbs.ft).
7. On the fixture, flip the two latches to release the access lid to the driver compartment to begin wiring.
8. Feed loose supply wires hanging from the arm through the back of fixture driver compartment to make wiring connections to the terminal block. Tighten the set-screws between 20 and 25 lbs.in. Follow Figure 1 wiring instructions given below for proper wiring.



RSLs/RSLM Installation Instructions

- Securely close driver compartment lid and confirm no wires are exposed or pinched.

WARNING: Ensure the fixture splice wires are properly covered by the arm and the service splice wires are completely covered using a suitable weatherproof box. Do not pinch any wires or damage insulation.

- Securely reattach cord protection bracket that was removed in Step 4 with three screws.
- SHORTING CAP, PHOTOCCELL, OR OTHER COMPATIBLE DEVICE MUST BE LOCKED IN. Window or arrow on top of photocell should be pointed away from the mounting surface. The receptacle/socket may be repositioned by loosening the screw in the center.

WARNING: Do not rotate the receptacle/socket more than 360 degrees as it may twist and damage the wires resulting in electrical hazard.

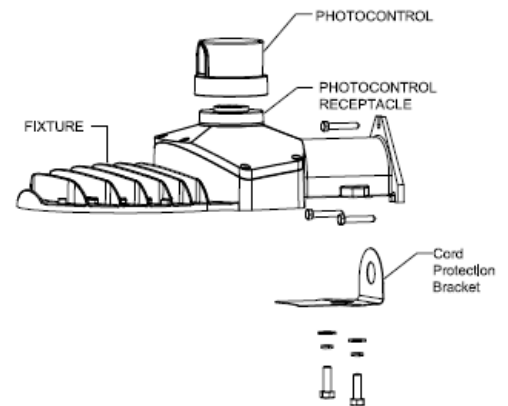
Wall Mount Installation Instructions

WARNING: Installer must assure suitability of the surface to safely support the luminaire. Do not install if any parts are damaged. Installer must assure that mounting hardware is seated within the three slots in the mounting flange and that the mounting flange is not damaged.

- Choose the location to mount the fixture onto the wall.
- Mark and pre-drill (9/64") holes for the mounting bolts. Use supplied bolts or fasteners as required for the mounting surface.
- Attach the fixture to the wall with the (3) 1/4" lag bolts. Tighten to 4-6 ft.lbs.
- Remove slipfitter mounting bracket and pole mount cord protection bracket. Use the wall mount cord protection bracket shown to the right. Pull wires through end hole in wall mount cord protection bracket supplied in the wall mount hardware kit.
- Feed supply wires through the arm and back of fixture driver compartment to make wiring connections to the terminal block. Tighten the set-screws between 20 and 25 lbs.in. Follow Figure 1 wiring instructions given below for proper wiring.
- Securely close driver compartment lid and confirm no wires are exposed or pinched.

WARNING: Cord Protection Bracket **MUST** be installed to protect wires. Do not pinch any wires or damage insulation.

- Mount/replace cord protection bracket to the fixture using the original (2) bolts from the removed Slipfitter bracket.



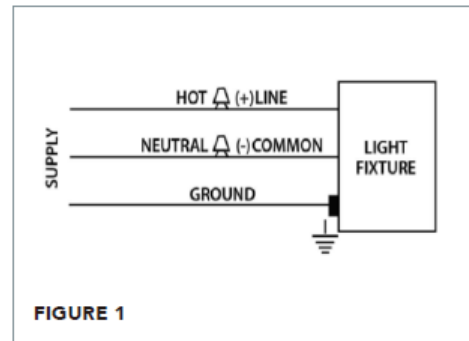
WALL MOUNTING

RSLs/RSLM Installation Instructions

ON-OFF WIRING METHOD:

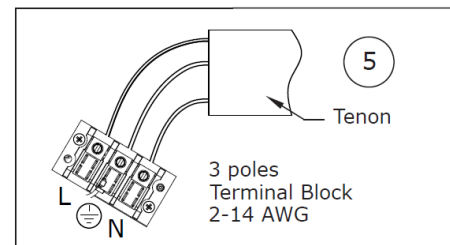
Universal voltage driver permits operation at 120V through 277V, 50 or 60 Hz. Follow the wiring directions as in FIGURE 1.

1. Connect the GROUND wire from the fixture to the supply ground.
2. Connect the white lead from the fixture to the (-) COMMON supply wire.
3. Connect the black lead from the fixture to the (+) LINE supply wire.

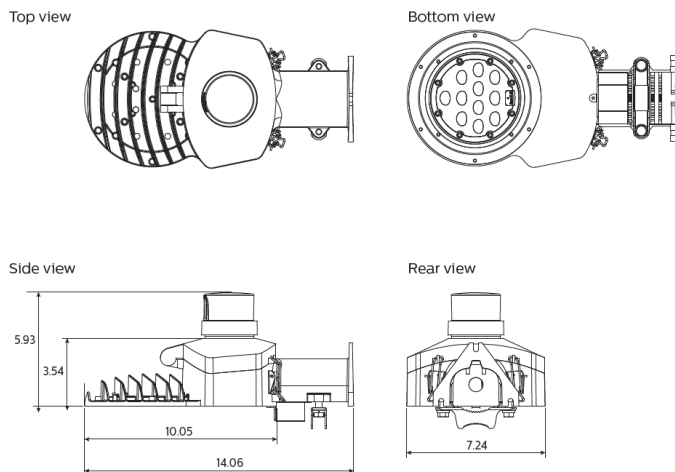


TROUBLESHOOTING:

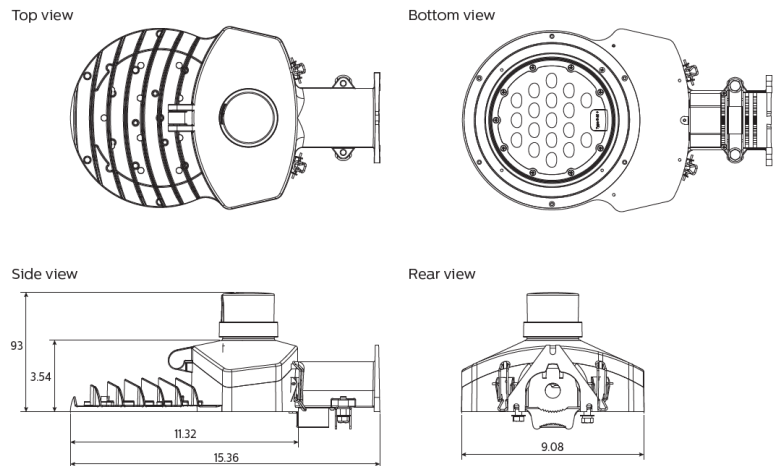
1. Check that the line voltage at the fixture is correct.
2. Check that there is voltage at the fixture. If there is no voltage, check all connections.
3. Ensure that the fixture is grounded properly.



Dimensions - RSLs



Dimensions - RSLM



Accessories and Options

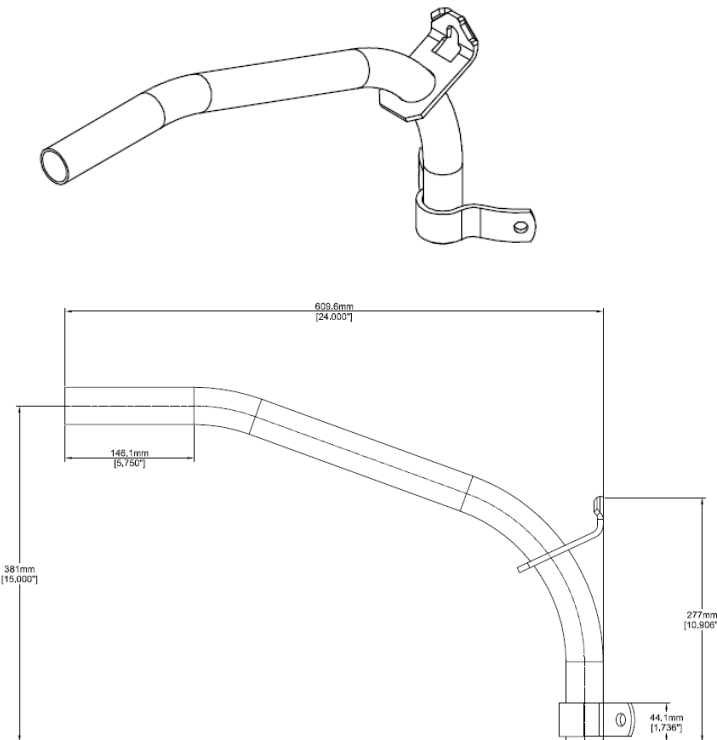
ACC-RSLs-RSLM-ARM:

Mounting arm with hardware.

Please note this mounting accessory is ordered separately. Installation instructions on page 1 under pole mount.

Items Include:

1. 1x arm assembly
2. 3x 5/16-3" hex head lag bolts
3. 3x 5/16" lock washers
4. 3x 5/16" flat washers



ACC-RSLs-PS: Prismatic Lens for RSLs

ACC-RSLM-PS: Prismatic Lens for RSLM

Please note this mounting accessory is ordered separately. Installation instructions on page 1 under pole mount.

Items Included:

1. 1x Prismatic Lens
2. 3x 8-32 mounting screws

Installation:

1. Align three mounting holes of prismatic lens with holes around optical enclosure.
2. Ensure all three mounting screws are evenly tightened.

