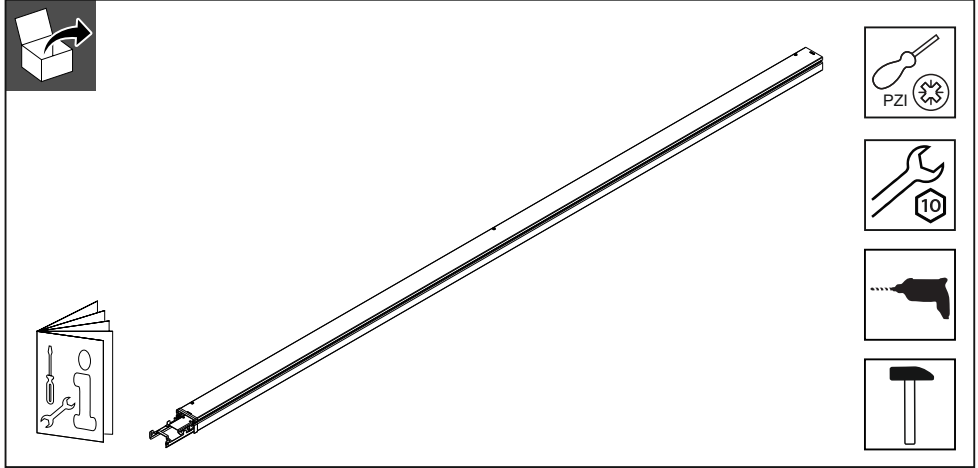


PHILIPS

Maxos Fusion

LL500T / LL600T



50Hz
60Hz

220V
240V



LEDs

IP54
LL600T

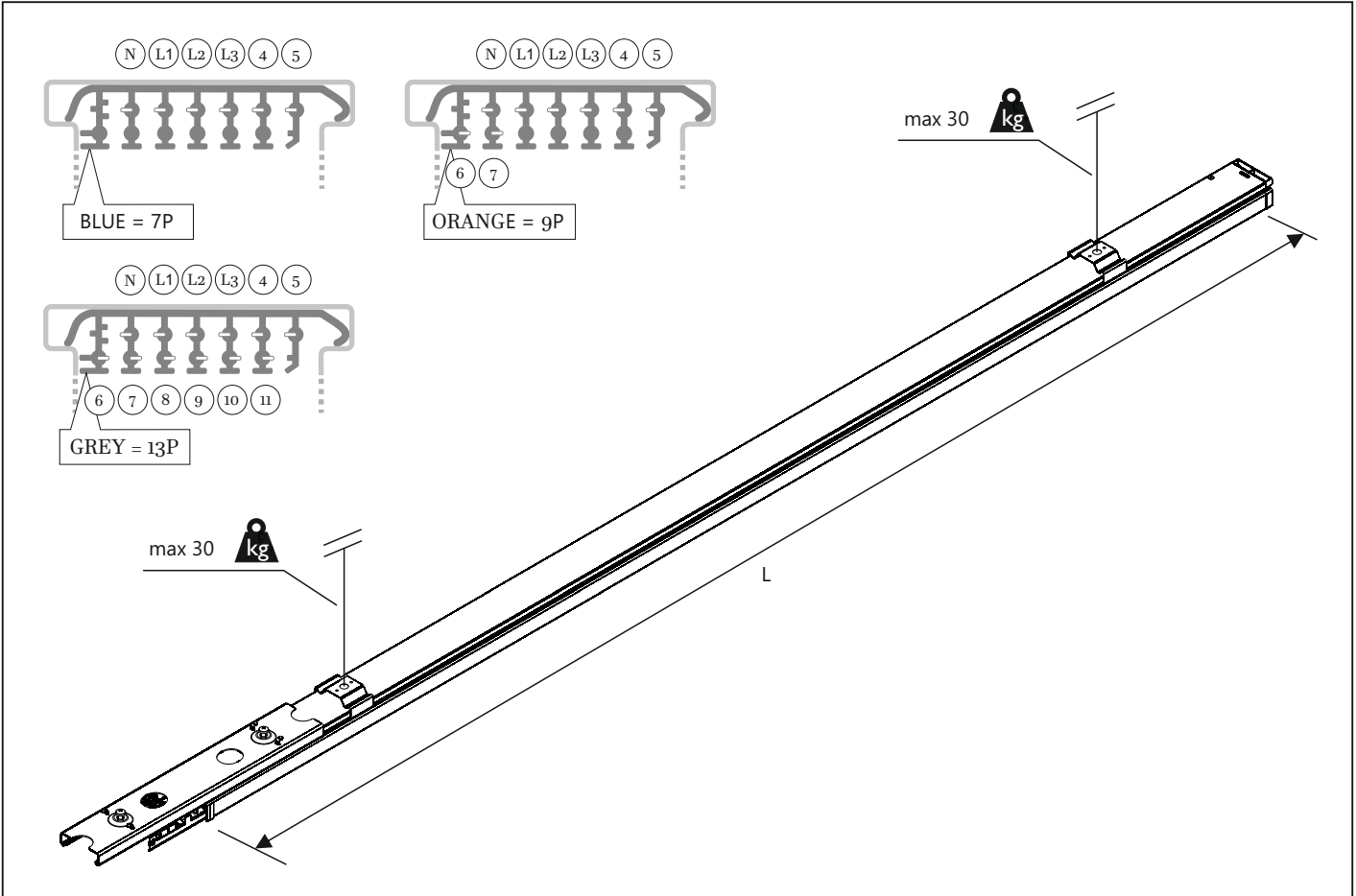
IP20
LL500T

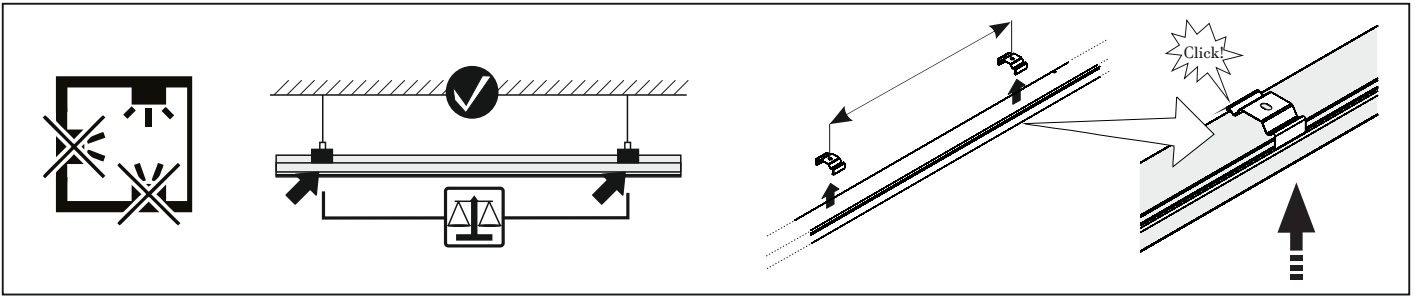
IK02

Max.
35 °C
Min.
-20 °C



	L (mm)	7P kg	9P kg	13P kg
LL512T	1138	1.7	1.7	1.7
LL523T / LL623T	2276	3.3	3.3	3.3
LL546T / LL646T	4552	6.4	6.4	6.4



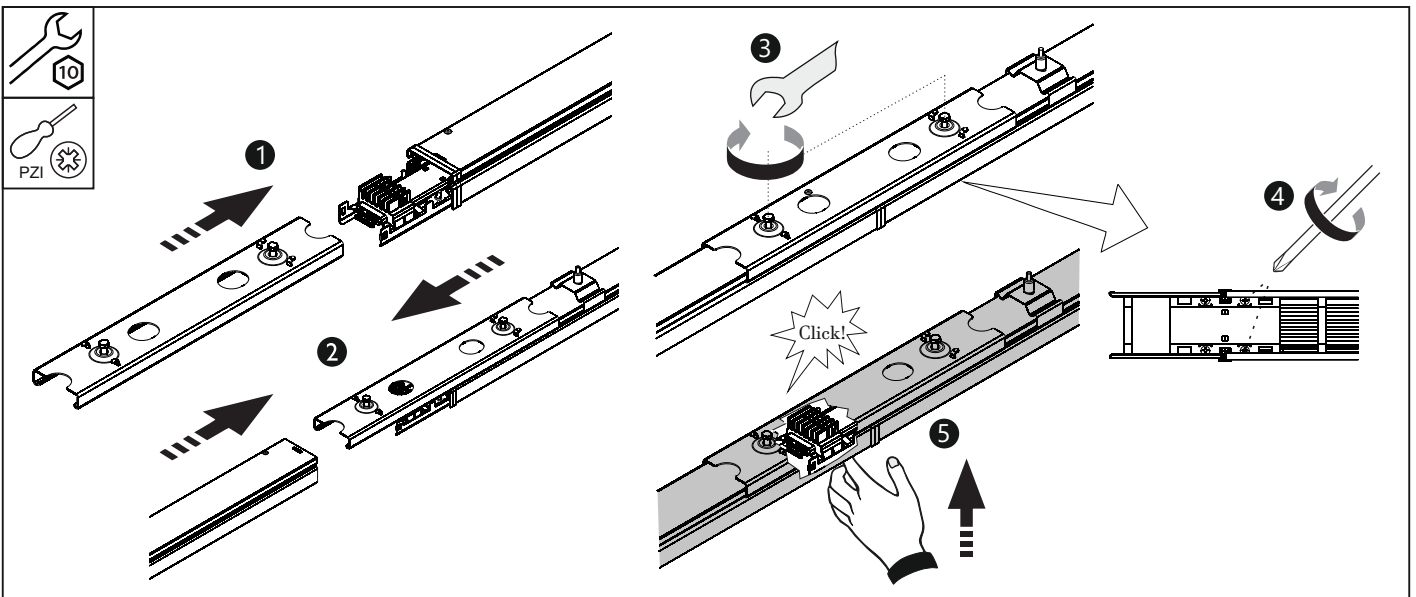


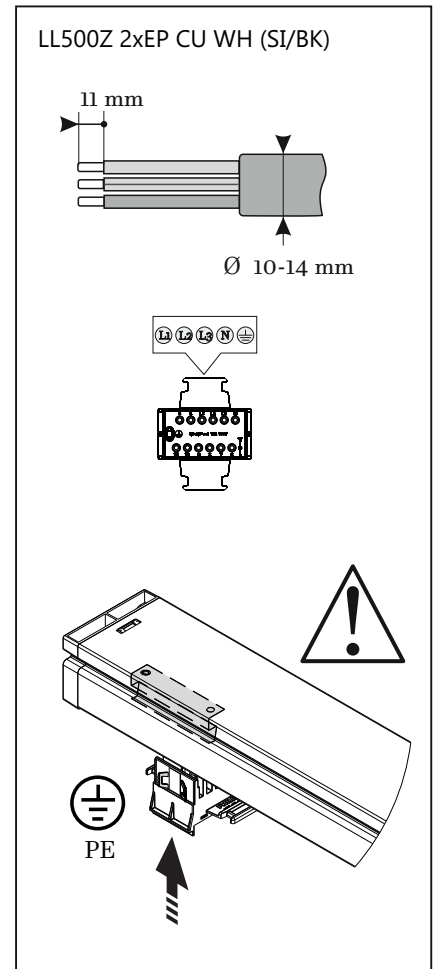
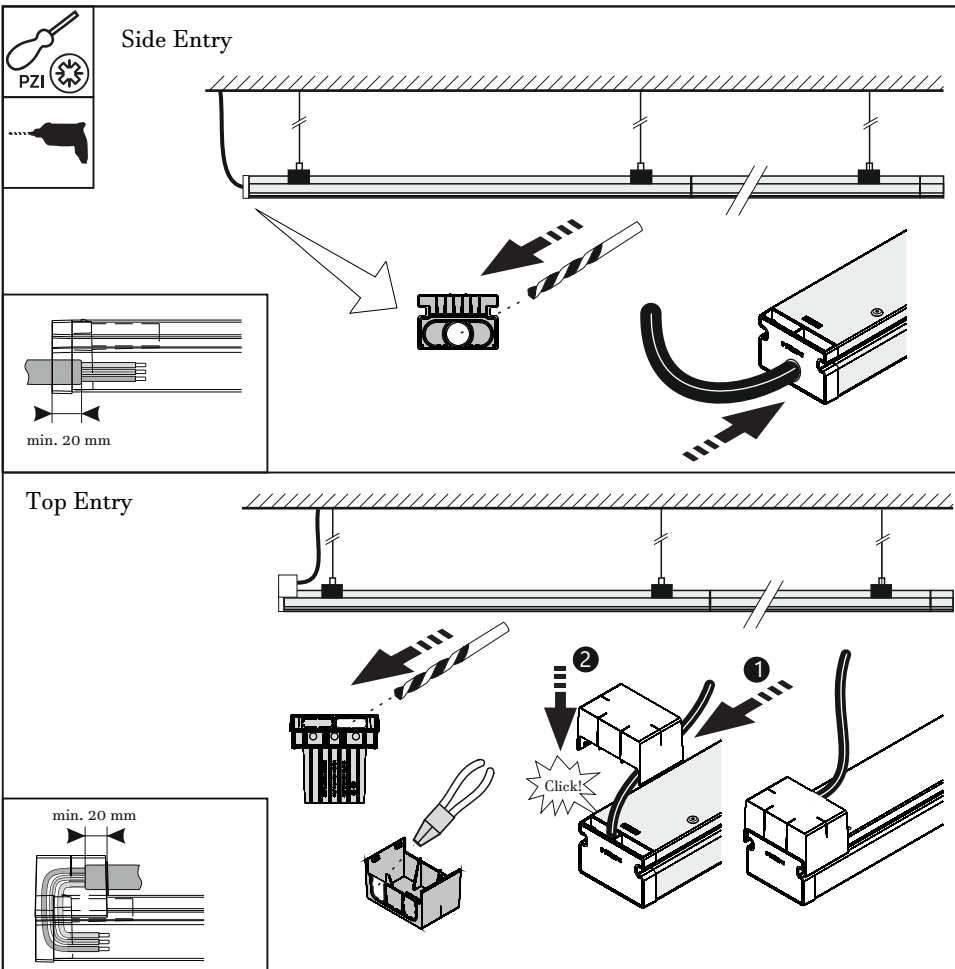
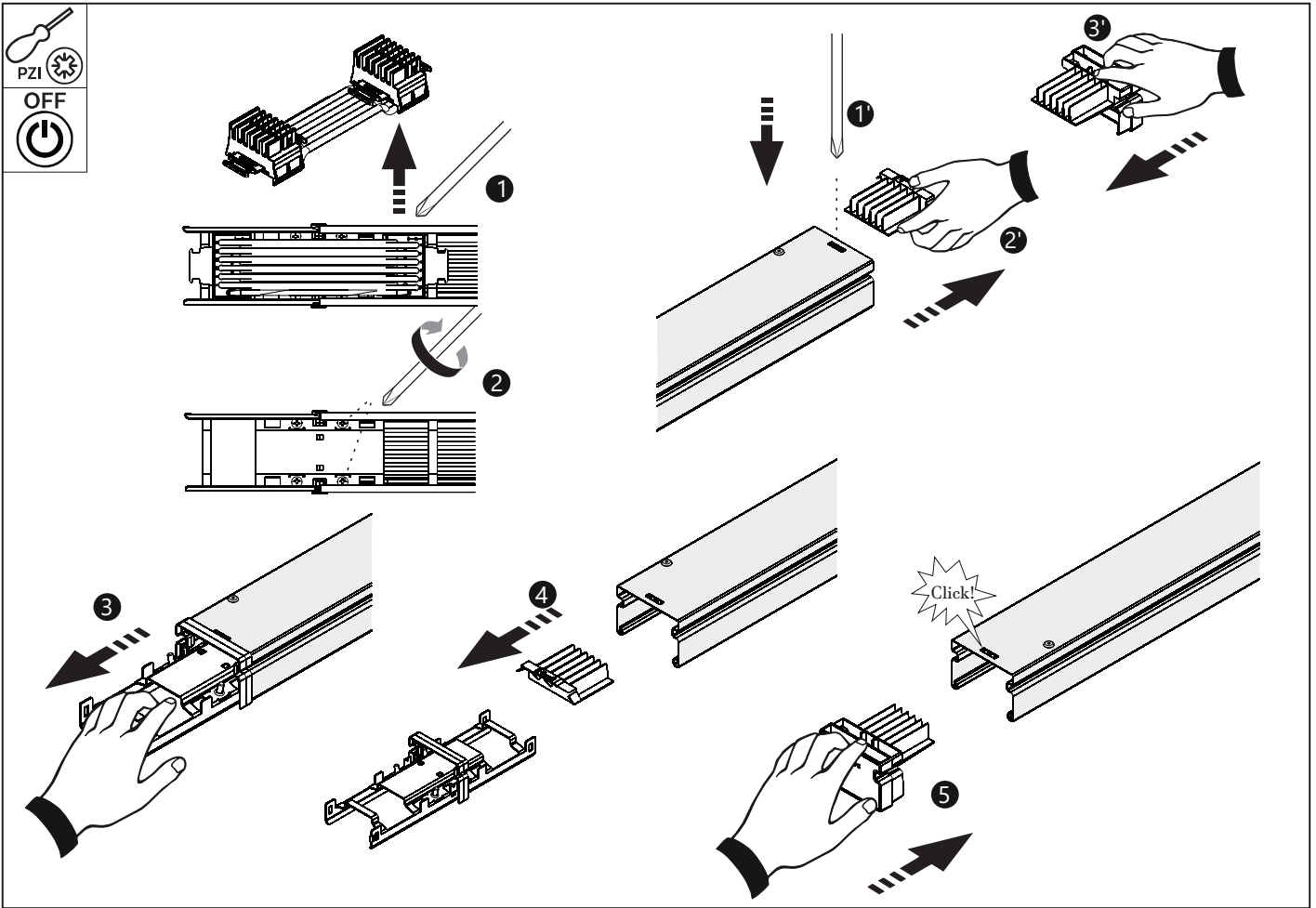
Distances for ceiling mounted fixation

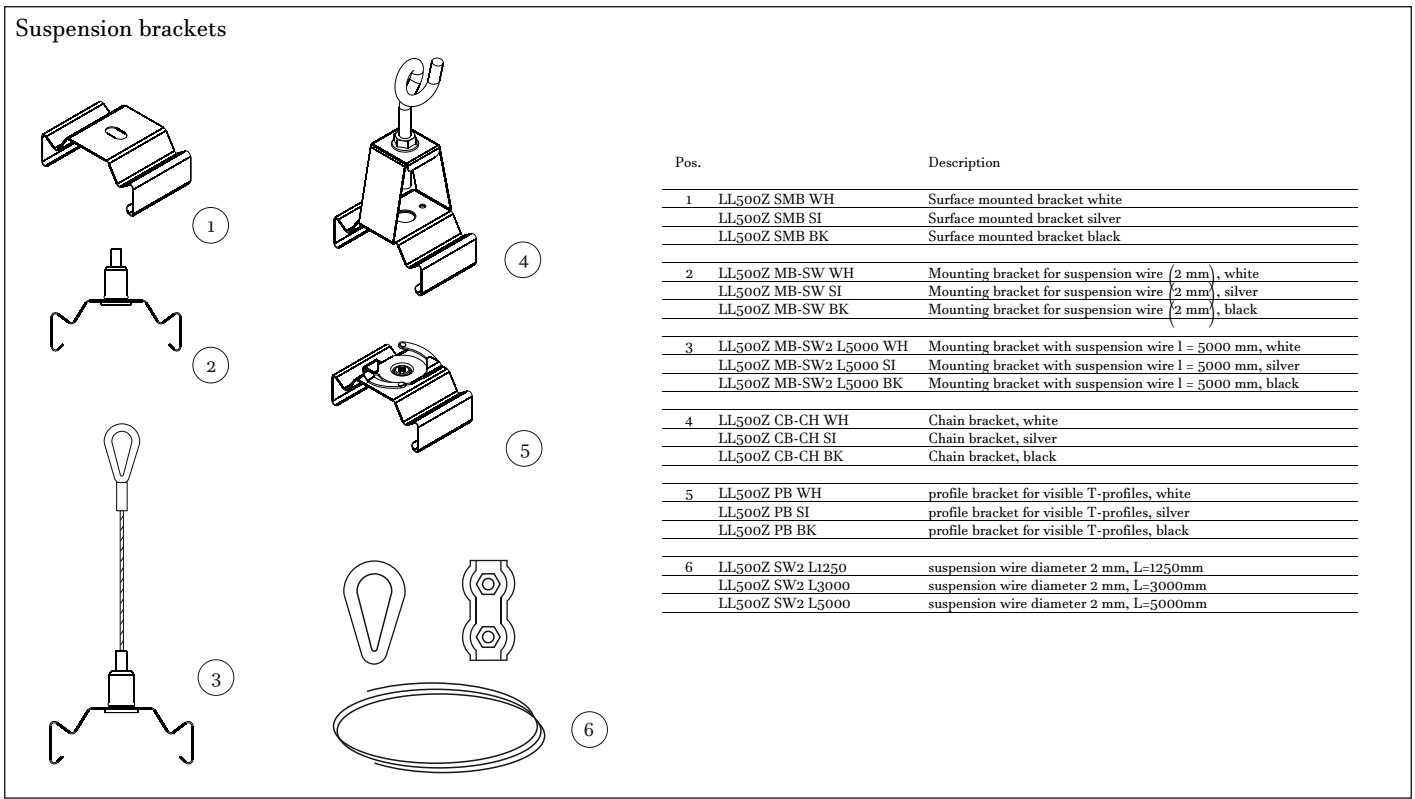
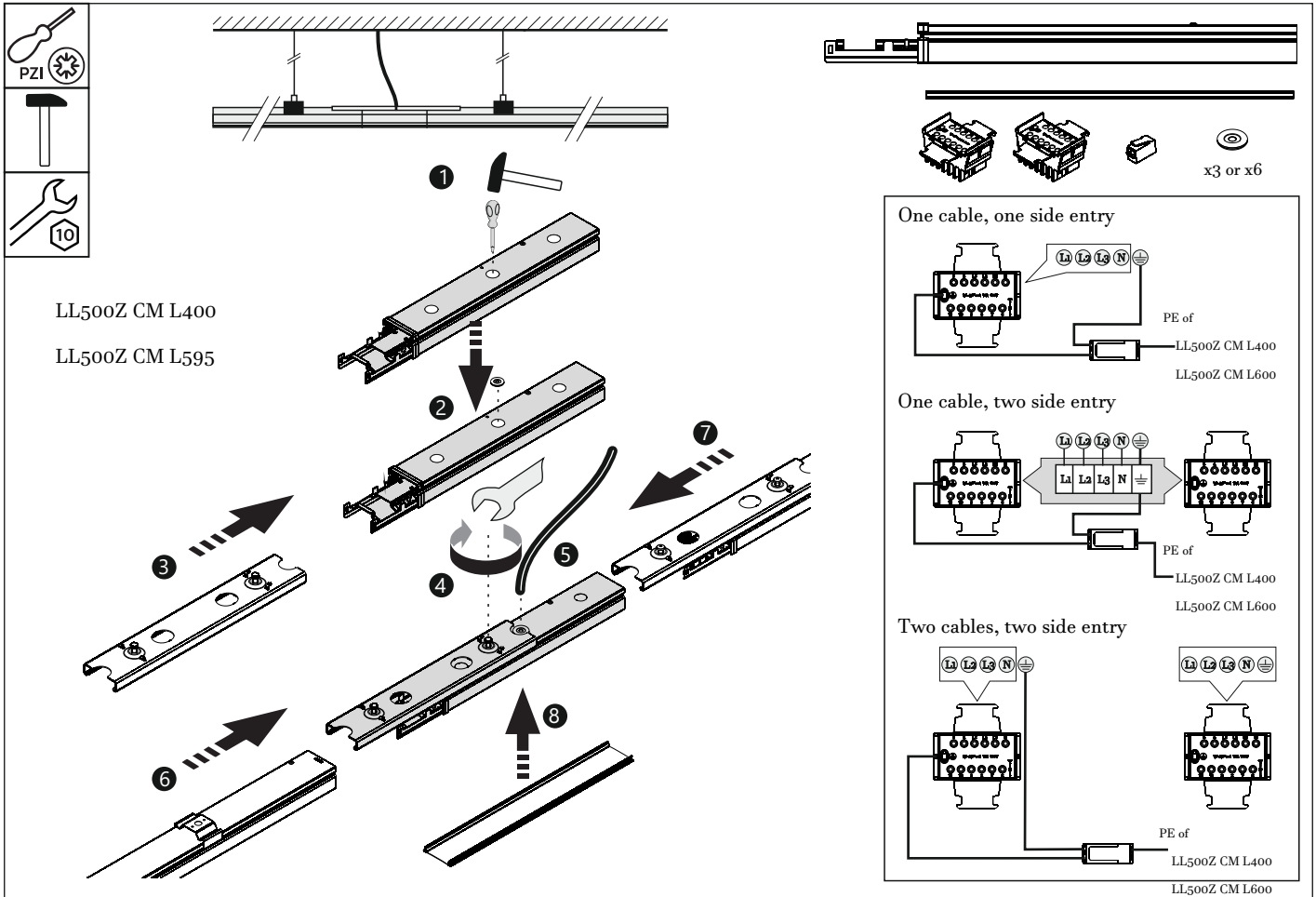
Distances for surface mounted fixation

$D = (300\text{mm} - 500\text{mm})$
 $L = \begin{cases} 1138\text{mm} - \text{LL512T} \\ 2276\text{mm} - \text{LL523T/623T} \\ 4552\text{mm} - \text{LL546T/646T} \end{cases}$

LL500Z PB







© 2019 Signify Holding.
All rights reserved. This document contains information relating to the product portfolio of Signify which information may be subject to change. No representation or warranty as to the accuracy or completeness of the information included herein is given and any liability for any action in reliance thereon is disclaimed. The information presented in this document is not intended as any commercial offer and does not form part of any quotation or contract. Philips and the Philips Shield Emblem are registered trademarks of Koninklijke Philips N.V.. All other trademarks are owned by Signify Holding or their respective owners.

Signify Holding.
The Netherlands